

LENZ



**FPA-17
FLUIDPOWER**



The goal of Lenz is to help our Distributors, OEM's and customers succeed by providing the best hydraulic engineered products. Building upon this determination, we've enhanced the Lenz catalogs and our website to feature even more detailed information for ease of specifying and ordering. We at Lenz feel our new catalog and website are easier to navigate, read and understand our products.

We will continue to add new innovative hydraulic products to our product line.

We hope you'll agree we have succeeded in these pursuits.

Lenz

Hydraulics with a Global Reputation



LENZ

F I L T R A T I O N



Spin On Canister Filters
 Tank Mounted Filters
 Tank Mounted with Breather
 Tank Mounted Strainers
 Medium Pressure Filter

Diffusers
 Suction Strainers
 Disc Strainers
 Disc Diffusers
 SAE Weld Couplings



Filters and Strainers Table of Contents



Suction & Return Canister Filter



In Tank Filters



Tank Mount Strainers



49-N



Weld Flanges



Return Line Sump Disc Diffusers

SERIES	TANK ACCESSORIES	SECTION B PAGE
INTRO LETTER	Done	a
FILTRATION PHOTO	Done	aa
FILTRATION INDEX	Last To Do	aaa
CP 380	Suction & Return Canister Filter	1a
CP-500, 750, 1010	Suction & Return Canister Filter	2-3a
CP504 /754	Suction & Return Canister Filter	4-5a
CP-1000, CP-1030	Suction & Return Canister Filter	6a
TTR-20, TTR-40	Tank Top Return Filter	7a
CP1280/CP1580	Suction & Return Canister Filter	8-9a
CP1500/1520	Suction & Return Canister Filter	10-11a
DH	Medium Duty Filters	12-13a
LIT-500, 750, 1000	In Tank Filters	14-15a
LIT-1250, 1500, 2000	In Tank Filters	16-17a
LITA-1010	In Tank Filters	18a
CF-500	Medium Duty Filters	19a
RTF	Aluminum Tank Immersed	20-21a
LFT	In Tank Filters	22-23a
LTFB	In Tank Filter With Breather	24-25a
TFR	In Tank In-To-Out Flow	26-27a
LITB20, 40	In Tank Filter With Breather	28-29a
TMR	Tank Or Line Mount Filter	30-31a
TIF	Low Profile Intank Filter	32-33a
DIAL INDICATORS	Visual Filter Indicators	34a
LES ELECT IND.	Electrical Indicator Filters	35a
49 SERIES	Sump Strainers	36-37a
A49 SERIES	Sump Strainers	38-39a
48 SERIES	Sump Strainers	40-41a
WN-49 SERIES	Sump Strainers	42-43a
LTM	Tank Mount Strainers	44-45a
LTMA	Tank Mount Strainers	46a
LTMAB	Tank Mount Strainers	47a
LTF	Tank Mount Strainers	48a
WF, WFA, WF-B, WF-AL	Weld Flanges	49a
AN-WM	Weld Couplings	50a
LWBA, AN-WB	Weld Couplings	51-52a
LTMD	Tank Mount Diffusers	53a
LDFD	In Tank Diffusers	54a
L, D SERIES	Disc Sump Strainers	55a
ML, MD SERIES	Magnetic Disc Strainers	56a
R SERIES	Disc Diffusers	57a
ACTUAL MESH	Wire Mesh Chart	58a
TECH BULLETIN LIST		59a



Canister Filter

Return Line Applications CP-250, 380, CPA-380

Specifications

- Working pressure 200 P.S.I. (14 Bar) 80 PSI ΔP w/o bypass
- Operating Temperatures -25° F to +212° F (-32° C to +100° C)
- Flows to 7 GPM (26 LPM) Return
- Flows to 2 GPM (7 LPM) Suction
- Die Cast Aluminum casting
- Buna Seals
- Compatible with mineral oils HH, HL, HM, HR, HV, HG according to ISO 6743/4
- Maximum pressure differential 80 P.S.I. (5 Bar)
- Bypass in filter elements
- .90 lbs shipping weight

Options

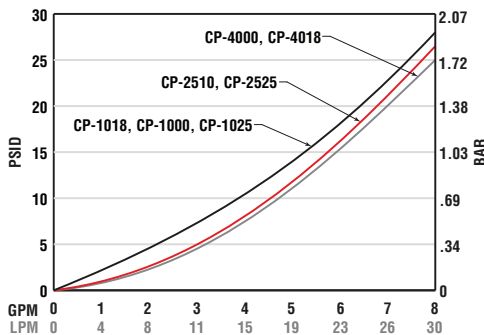
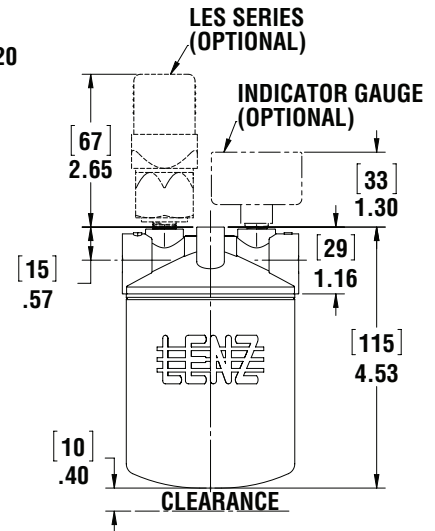
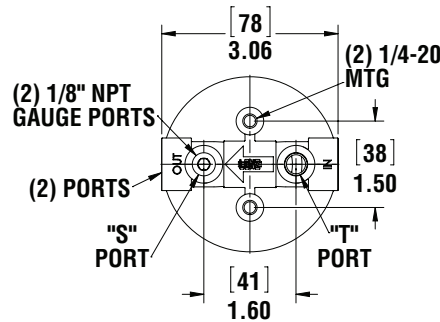
- NPT or SAE ports
- Indicator ports
- 10, 25, 40 micron elements
- 0, 18, 25 P.S.I.D. Bypass options



CP-250, CP-380
CPA-380



CP-1018



Temperature 100° F Viscosity 150 SUS
Average pressure drop through clean assembly

Filter Head Ordering Code

HEAD	PORT
CP-251	1/4" NPT
CP-381	3/8" NPT
CPA-381	9/16"-18 SAE

Average Pressure drop through clean assembly with 150 SUS oil at 100F

Assembly Ordering Code

CPA — 380 — 1018 — *

SERIES	ELEMENTS	INDICATOR PORTS
CP NPT	1000 10 MIC. NO BYPASS	OMIT NONE
CPA SAE	1018 10 MIC. 18 P.S.I. BYPASS	T 1/8 NPT RETURN
	1025 10 MIC. 25 P.S.I. BYPASS	S 1/8 NPT SUCTION
	2510 25 MIC. 10 P.S.I. BYPASS	
	2525 25 MIC. 25 P.S.I. BYPASS	
	4000 40 MIC. NO BYPASS	
	4018 40 MIC. 18 P.S.I. BYPASS	

For indicators see page 34a-35a

See Technical Bulletin TB.FIL04.708, TB.FIL11.708, TB.FIL13.708, TB.FIL16.708, for further information at (Technical Data – www.lenzinc.com)

Replacement Elements

MODEL	MICRON	BYPASS	AVG	AREA	AREA	ELEMENT	DIRT HOLDING CAPACITY
NUMBER	RATING		BETA	IN2	CM2	THREAD	6
CP-1000	10	NONE	2	126	818	3/4"-16 UNF	6
CP-1018	10	18	2	113	733	3/4"-16 UNF	6
CP-1025	10	25	2	113	733	3/4"-16 UNF	6
CP-2510	25	10	2	129	838	3/4"-16 UNF	6
CP-2525	25	25	2	129	838	3/4"-16 UNF	6
CP-4000	40	NONE	2	126	838	3/4"-16 UNF	6
CP-4018	40	18	2	126	818	3/4"-16 UNF	6



Canister Filters/Disposable Type

Suction or Return Line Application
Model Series CP-500, 750, 1010

Specifications

- Working pressure 200 P.S.I. (14 Bar) 80 PSI ΔP w/o bypass
- Operating Temperatures -22° F to +212° F (-32 C to +100 C)
- Flows to 25 GPM (96 LPM) Return
- Flows to 5 GPM (19 LPM) Suction
- 1/2", 3/4", 1" Ports
- Aluminum Casting — Die Cast
- Buna Seals
- Compatible with mineral oils HH, HL, HM, HR, HV, HG, according to ISO 6743/4
- Element post threads 1"-12 UNF
- 2.2 (lbs.), 1 (kgs.) shipping weight

Options

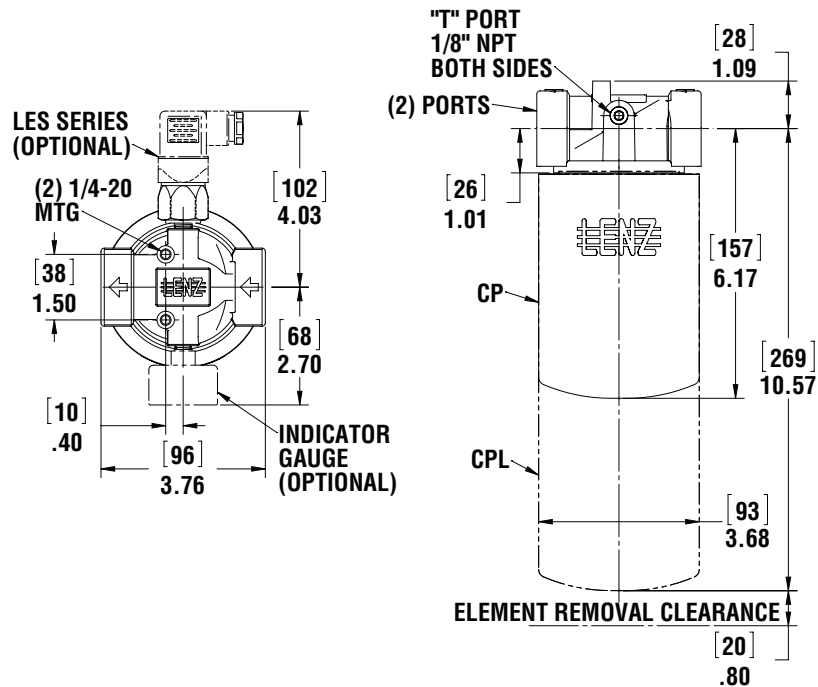
- NPT or SAE Ports (CP-500, 750, 1010)
- 3, 6, 10, 25, micron cellulose, synthetic elements
- Water absorbing elements -10 micron
- 100 wire mesh element
- Visual or electrical indicators
- 2.5, 5, 15, 25, blocked bypass options for suction or return



CP-500, CP-750,
CP-1010 Series



CP-752



CP-501
CP-751
CP-1011

Filter Head Ordering Code

CP — 751 — R — T

SERIES
CP NPT
CPA SAE

MODEL
501
751
1011

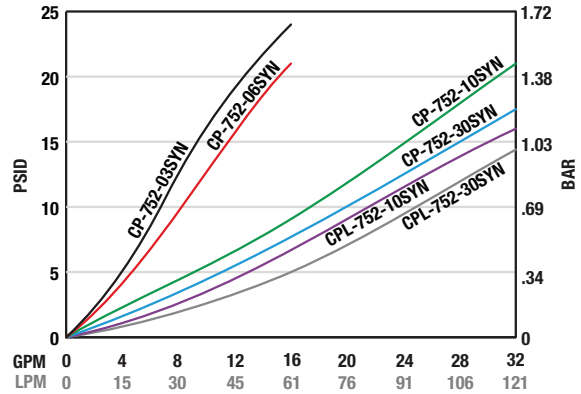
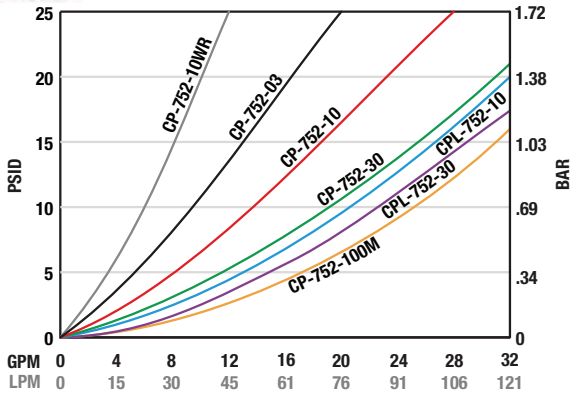
BYPASS
P (15 PSI)
H (2.5 PSI)
R (25 PSI)
V (5 PSI)
B (NONE)

IND. PORTS	
OMIT	NONE
T	1/8 NPT RETURN
S	1/8 NPT SUCTION
T, S	ALL PORTS

INDICATING GAUGES	
OMIT	
(T)	MC-12
(T)	MC-20
(T,S)	CP-2
(T)	GLY-MC-20
(S)	135080
(S)	VAC-3-20
	DP-75
(T)	LES-P1
(T)	LES-P2
(S)	LES-V1

CPA not available on CP-755 head
* Indicators ordered and shipped separately

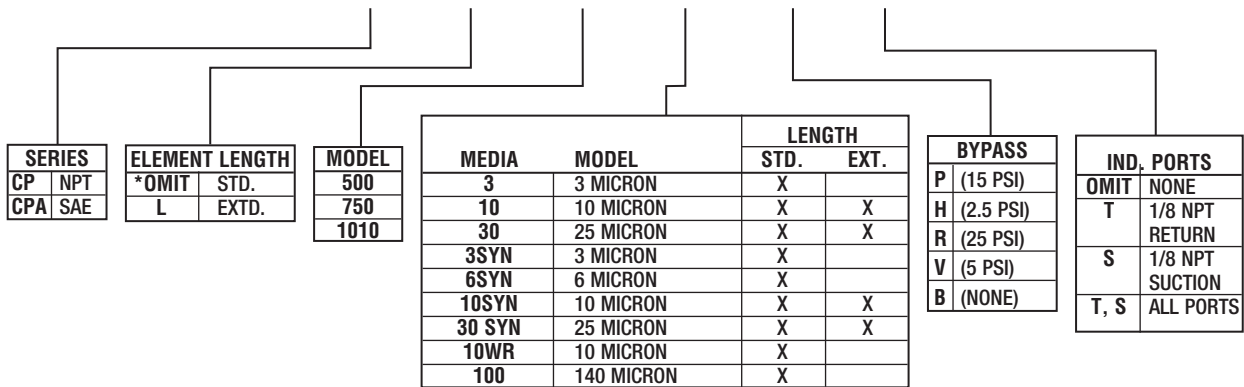
See Technical Bulletin TB.FIL04.708, TB.FIL09.708, TB.FIL11.708, TB.FIL13.708, TB.FIL16.708, for further information at (Technical Data – www.lenzinc.com)



Temperature 100° F Viscosity 150 SUS
Average pressure drop through clean assembly

Assembly Ordering Code

CP — * — 750 — 10 — P — T



For indicator gauge specifications and ordering information see pages 34a-35a

**Indicators ordered and shipped separately*



Replacement Elements

MODEL NUMBER	MEDIA TYPE MICRON	IN ² AREA	CM ² AREA	ELEMENT THREAD	RATING B(X)=2/20/75	DIRT HOLDING CAPACITY (Grams)
CP-752-03	3 MICRON CELLULOSE	390	2516	1"-12 UNF	2/5μ	19
CP-752-10	10 MICRON CELLULOSE	550	3548	1"-12 UNF	9/22/24μ	14
CP-752-30	25 MICRON CELLULOSE	550	3548	1"-12 UNF	29/46/54μ	20
CPL-752-10	10 CELLULOSE	940	6064	1"-12 UNF	9/22/24μ	22
CPL-752-30	25 CELLULOSE	940	6064	1"-12 UNF	29/46/54μ	31
CP-752-03SYN	3 MICRON SYNTHETIC	366	2361	1"-12 UNF	2/3/4μ	19
CP-752-06SYN	6 MICRON SYNTHETIC	366	2361	1"-12 UNF	5/6/8μ	22
CP-752-10SYN	10 MICRON SYNTHETIC	366	2361	1"-12 UNF	4/10/12μ	11
CP-752-30SYN	25 MICRON SYNTHETIC	366	2361	1"-12 UNF	8/25/30μ	26
CPL-752-10SYN	10 MICRON SYNTHETIC	562	3625	1"-12 UNF	4/10/12μ	33
CPL-752-30SYN	25 MICRON SYNTHETIC	562	3625	1"-12 UNF	8/25/30μ	34
CP-752-10WR	10 MICRON WATER ABSORPTION	175	1129	1"-12 UNF	10μ/18μ	5.5 ounces
CP-752-100M	100 SS WIRE MESH	95	613	1"-12 UNF	N/A	N/A

Beta Rating Of 2 = 50 % Efficiency
Beta Rating Of 20 = 95 % Efficiency
Beta Rating Of 75 = 98.7 % Efficiency

Note: 80 P.S.I. Pressure Drop
Maximum Without Bypass Valve
In Filter Head



Canister Filters/Low Profile

Suction or Return Line Application
Model Series-CP (NPT & SAE Ports)

CP-504, 754

Specifications

- Working pressure 200 P.S.I. (14 Bar) 80 PSI ΔP w/o bypass
- Operating Temperatures -22° F to +212° F (-32 C to +100 C)
- Flows to 22 GPM (83 LPM) Return
- Flows to 5 GPM (19 LPM) Suction
- 1/2", 3/4" Ports
- Aluminum Casting — Die Cast
- Buna Seals
- Compatible with mineral oils HH, HL, HM, HR, HV, HG, water according to ISO 6743/4
- Element post threads 1"-12 UNF
- 2.2 (lbs.), 1 (kgs.) shipping weight

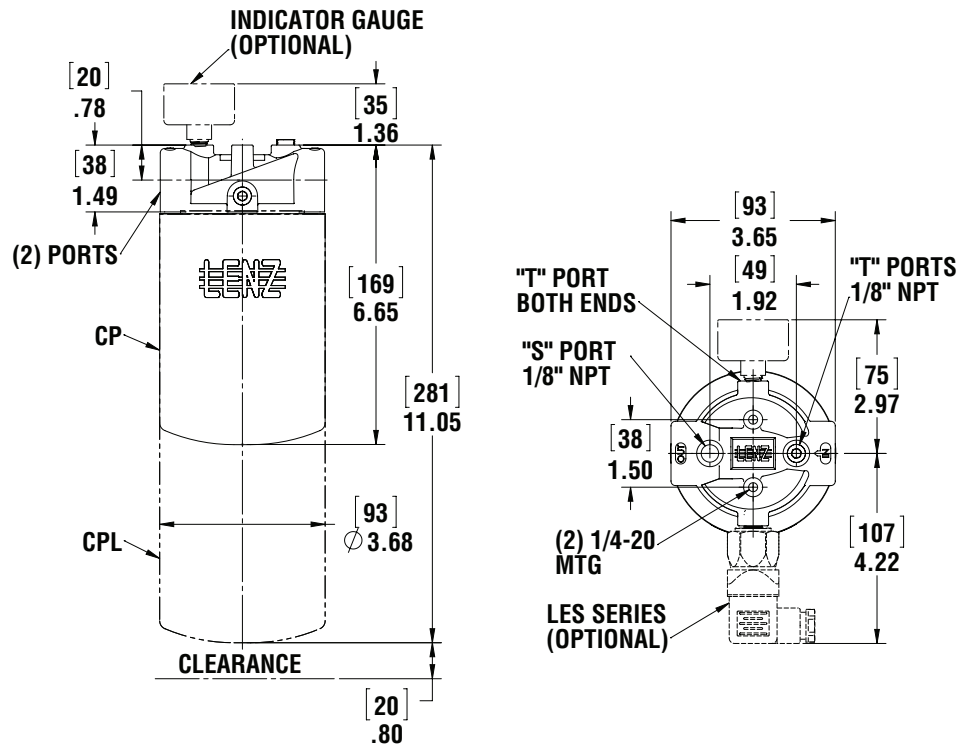
Options

- NPT or SAE Ports
- 3, 6, 10, 25, micron cellulose, synthetic elements
- Water absorbing elements -10 micron
- 100 wire mesh element
- Visual or electrical indicators
- 2.5, 5, 15, 25, blocked bypass options for suction or return



CP-504, CP-754
(New Low Profile Design)

CP-752



CP-505
CP-755

Filter Head Ordering Code

CP — 755 — R — T

SERIES	
CP	NPT
CPA	SAE

MODEL
505
755

BYPASS	
P	(15 PSI)
H	(2.5 PSI)
R	(25 PSI)
V	(5 PSI)
B	(NONE)

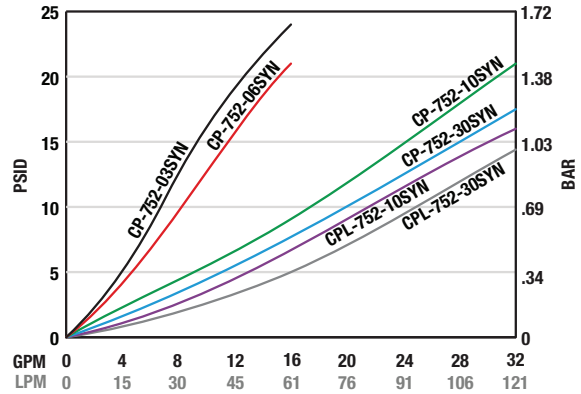
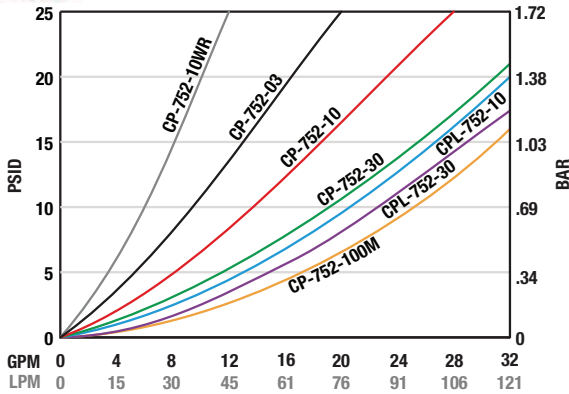
IND. PORTS	
OMIT	NONE
T	1/8 NPT RETURN
S	1/8 NPT SUCTION
T, S	ALL PORTS

INDICATING GAUGES	
OMIT	
(T)	MC-12
(T)	MC-20
(T,S)	CP-2
(T)	GLY-MC-20
(S)	135080
(S)	VAC-3-20
DP-75	
(T)	LES-P1
(T)	LES-P2
(S)	LES-V1

CPA not available on CP-755 head

*Indicators ordered and shipped separately

See Technical Bulletin TB.FIL04.708, TB.FIL09.708, TB.FIL11.708, TB.FIL13.708, TB.FIL16.708, for further information at (Technical Data – www.lenzinc.com)



Temperature 100° F Viscosity 150 SUS
Average pressure drop through clean assembly

Assembly Ordering Code

CP — * — 754 — 10 — P — T

SERIES	
CP	NPT
CPA	SAE

CPA not available in 3/4 port

ELEMENT LENGTH	
* OMIT STD.	
L	EXTD.

MODEL
504
754

MEDIA	MODEL	LENGTH	
		STD.	EXT.
3	3 MICRON	X	
10	10 MICRON	X	X
30	25 MICRON	X	X
3SYN	3 MICRON	X	
6SYN	6 MICRON	X	
10SYN	10 MICRON	X	X
30SYN	25 MICRON	X	X
10WR	10 MICRON	X	
100	140 MICRON	X	

BYPASS	
P	(15 PSI)
R	(25 PSI)
V	(5 PSI)
H	(2.5 PSI)
B	(NO BYPASS)

IND. PORTS	
OMIT	
T	1/8 NPT RETURN
S	1/8 NPT SUCTION
T, S	ALL PORTS

For indicator gauge specifications and ordering information see pages 34a-35a
Indicators ordered and shipped separately.



Replacement Elements

MODEL NUMBER	MEDIA TYPE MICRON	IN ² AREA	CM ² AREA	ELEMENT THREAD	RATING B(X)=2/20/75	DIRT HOLDING CAPACITY (Grams)
CP-752-03	3 MICRON CELLULOSE	390	2516	1"-12 UNF	2/5μ	19
CP-752-10	10 MICRON CELLULOSE	550	3548	1"-12 UNF	9/22/24μ	14
CP-752-30	25 MICRON CELLULOSE	550	3548	1"-12 UNF	29/46/54μ	20
CPL-752-10	10 CELLULOSE	940	6064	1"-12 UNF	9/22/24μ	22
CPL-752-30	25 CELLULOSE	940	6064	1"-12 UNF	29/46/54μ	31
CP-752-03SYN	3 MICRON SYNTHETIC	366	2361	1"-12 UNF	2/3/4μ	19
CP-752-06SYN	6 MICRON SYNTHETIC	366	2361	1"-12 UNF	5/6/8μ	22
CP-752-10SYN	10 MICRON SYNTHETIC	366	2361	1"-12 UNF	4/10/12μ	11
CP-752-30SYN	25 MICRON SYNTHETIC	366	2361	1"-12 UNF	8/25/30μ	26
CPL-752-10SYN	10 MICRON SYNTHETIC	562	3625	1"-12 UNF	4/10/12μ	33
CPL-752-30SYN	25 MICRON SYNTHETIC	562	3625	1"-12 UNF	8/25/30μ	34
CP-752-10WR	10 MICRON WATER ABSORPTION	175	1129	1"-12 UNF	10/18μ	5.5 ounces
CP-752-100M	100 SS WIRE MESH	95	613	1"-12 UNF	N/A	N/A

Beta Rating Of 2 = 50 % Efficiency
Beta Rating Of 20 = 95 % Efficiency
Beta Rating Of 75 = 98.7 % Efficiency
Note: 80 P.S.I. Pressure Drop Maximum Without Bypass Valve In Filter Head



Canister Filters/Disposable Type

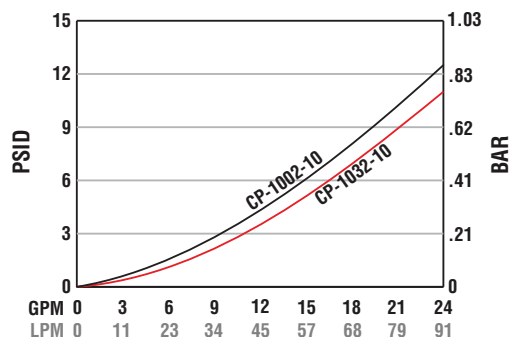
Suction or Return Line Application
Model Series CP-1000, 1030

Specifications

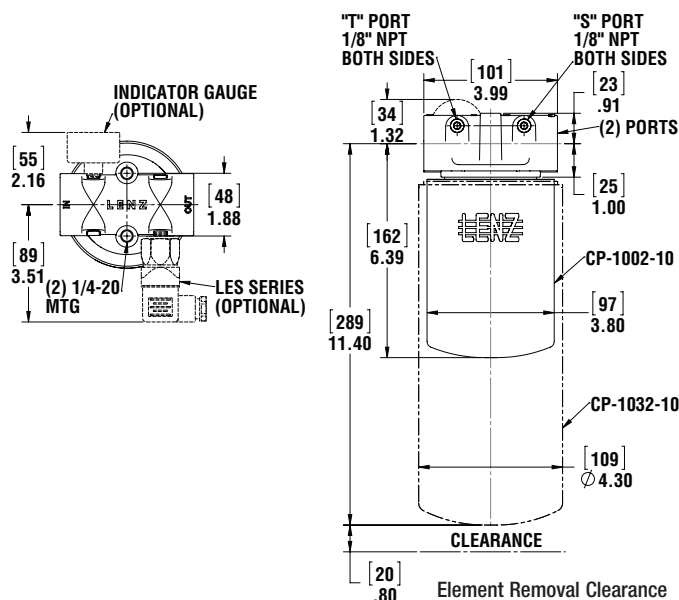
- Working pressure 200 P.S.I. (14 Bar) 80 PSI ΔP w/o bypass
- Operating Temperatures -22° F to +212° F (-32 C to +100 C)
- Flows to 25 GPM (96 LPM) Return
- Flows to 5 GPM (19 LPM) Suction
- 1" Ports
- Aluminum Casting — Die Cast
- Buna Seals
- Compatible with mineral oils HH, HL, HM, HR, HV, HG, water according to ISO 6743/4
- Element post threads 1 1/8"-16 UNF
- 2-3 (lbs.), 1.4 (kgs.) shipping weight

Options

- NPT or SAE Ports
- 10, micron cellulose
- Visual or electrical indicators
- 2.5, 5, 15, 25, blocked bypass options for suction or return



Temperature 100° F Viscosity 150 SUS
Average pressure drop through clean assembly



Assembly Ordering Code

CP — 1000 — 10 — P — T

Filter Head Ordering Code

CP — 1000 — R — P — T

SERIES		MODEL	MEDIA	MODEL	BYPASS		IND. PORTS	
CP	NPT	1000	10	10 MICRON	P	(15 P.S.I.)	OMIT	NONE
CPA	SAE	1030		CELLULOSE	R	(25 P.S.I.)	T	1/8 NPT RETURN
					V	(5 P.S.I.)	S	1/8 NPT SUCTION
					H	(2.5 P.S.I.)	T, S	ALL PORTS
					B	(NO BYPASS)		

SERIES		MODEL	BYPASS		IND. PORTS		INDICATORS	
CP	NPT	1001	P	(15 P.S.I.)	OMIT	NONE		OMIT
CPA	SAE	1031	H	(2.5 P.S.I.)	T	1/8 NPT RETURN	(T)	MC-12
			R	(25 P.S.I.)	S	1/8 NPT SUCTION	(T, S)	CP-2
			V	(5 P.S.I.)			(T)	GLY-MC-20
			B	NONE			(S)	135080
							(S)	VAC-3-20
								DP-75
							(T)	LES-P1
							(T)	LES-P2
							(S)	LES-V1



For indicator gauge specifications and ordering information see pages 34a-35a

**Indicators ordered and shipped separately*

Replacement Elements

MODEL NUMBER	MEDIA TYPE MICRON	IN AREA	CM AREA	ELEMENT THREAD	RATING B(X)=2/20/75	DIRT HOLDING CAPACITY (Grams)
CP-1002-10	10 CELLULOSE	453	2922	1 1/8-16 UNF	9/20/23	16
CP-1032-10	10 CELLULOSE	1672	10787	1 1/8-16 UNF	8/33/53	54

Beta Rating Of 2 = 50 % Efficiency
Beta Rating Of 20 = 95 % Efficiency
Beta Rating Of 75 = 98.7 % Efficiency

Note: 80 P.S.I. Pressure Drop Maximum Without Bypass Valve In Filter Head



Tank Top Return Filter

Models TTR-20, 22, 40, 60

Specifications

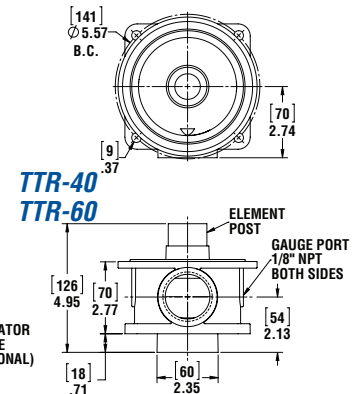
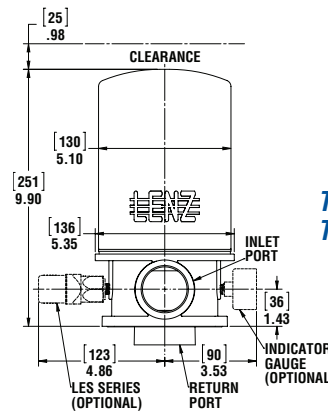
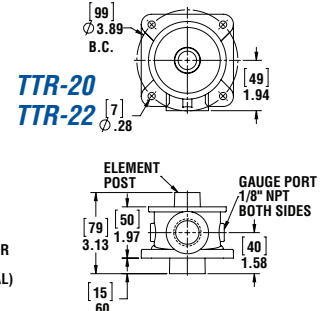
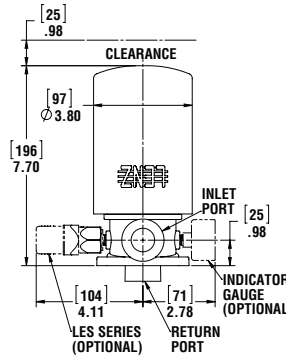
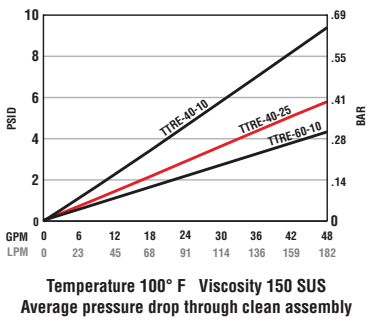
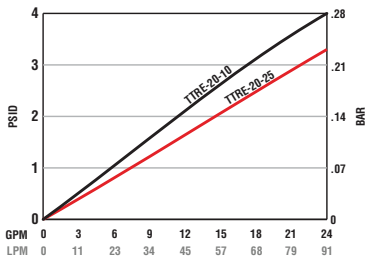
- Aluminum casting
- Working pressure 150 PSI (10 Bar)
- Flows to 40 GPM (150 LPM)
- Operating temperature -22F to +250F (-30C to +121C)
- Buna seals
- 3/4", 1 1/2" NPT ports (std)
- Compatible with mineral oils HH, HL, HM, HR, HV, HG according to ISO 6734/4
- Anti-drain diaphragm in element to minimize spillage for element changes
- 15 PSID bypass valve in the element
- TTR-20 3/4" NPT PORT, 3/4" BSPP POST
- TTR-22 3/4" NPT PORT, 1"-12 UNF
- TTR-40, 60 1 1/2" NPT PORT, 1 1/4" BSPP POST
- SAE ports available on TTRA-20, 22 (non stock)



TTR-20
TTR-22

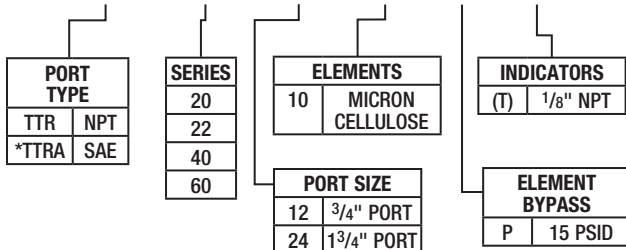


TTR-40
TTR-60



Assembly Ordering Code

TTR — 20 — 12 — 10 — P — T



*SAE consult Lenz for delivery
Consult factory on 25 micron elements for availability.

Replacement Elements

MODEL NO.	MEDIA	AREA IN	AREA CM	RATING b(x)=2 /20/75	DIRT HOLDING CAPACITY	ELEMENT THREAD
TTR-20-10	10 MICRON CELLULOSE	356	2308	10µ/22µ/33µ	13	3/4" BSPP
TTRE-22-10	10 MICRON CELLULOSE	356	2308	10µ/22µ/33µ	13	1"-12 UNF
TTRE-40-10	10 MICRON CELLULOSE	868	5600	10µ/22µ/33µ	28	1 1/4" BSPP
TTRE-60-10	10 MICRON CELLULOSE	1216	7850	10µ/22µ/33µ	32	1 1/4" BSPP

Beta Rating Of 2 = 50 % Efficiency
Beta Rating Of 20 = 95 % Efficiency
Beta Rating Of 75 = 98.7 % Efficiency

Note: 80 P.S.I. Pressure Drop Maximum
Without Bypass Valve In Filter Head

See Technical Bulletin TB.FIL04.708, TB.FIL09.708, TB.FIL11.708, TB.FIL13.708, TB.FIL16.708, for further information at (Technical Data – www.lenzinc.com)



For indicator gauge specifications and ordering information see pages 34a-35a

*Indicators ordered and shipped separately



Canister Filters/Disposable Type

Suction or Return Line Application
Model Series CP-1280, 1250, 1580

Specifications

- Working pressure 150 P.S.I. (10 Bar) 80 PSI ΔP w/o bypass
- Operating Temperatures -22° F to +212° F (-32° C to +100° C)
- Flows to 60 GPM (227 LPM) Return
- Flows to 12 GPM (45 LPM) Suction
- 1 1/4" NPT, 1 5/8"-12 SAE Ports, 1 1/2" NPT
- Element post threads 1 1/2"-16 UNF or 1 1/4" BSP
- Aluminum casting
- Buna Seals
- Compatible with mineral oils HH, HL, HM, HR, HV, HG, according to ISO 6743/4
- 6 (lbs), 2-2.5 (kgs) shipping weight

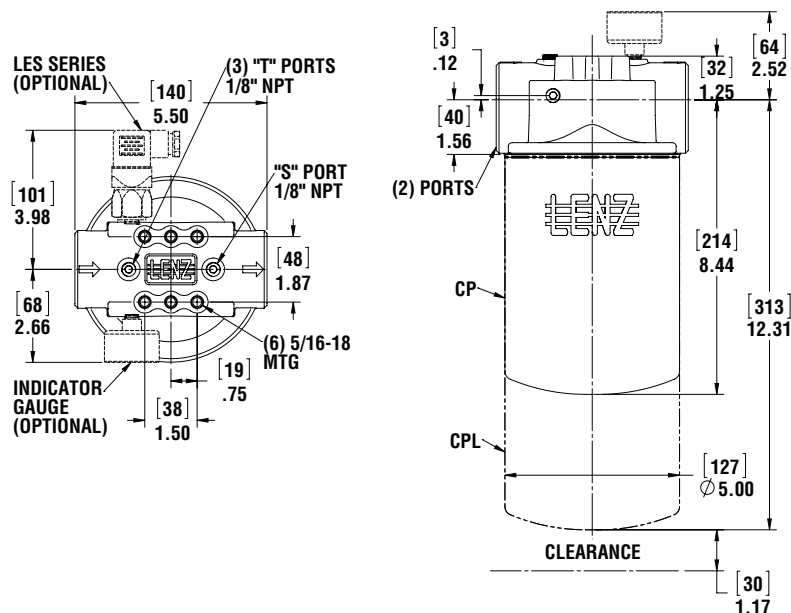
Options

- NPT or SAE Ports
- 10, 25, micron cellulose, 3, 6, 10, 25 synthetic elements
- Water absorbing elements
- 100 wire mesh element
- Visual or electrical indicators
- 2.5, 5, 15, 25, P.S.I.D., blocked bypass options for return or suction



CP-1280 Series
CP-1580 Series

CPL-1280 Series
CPL-1580 Series



CP-1281

The dual post thread on this head accepts both European and North American standard filter elements.

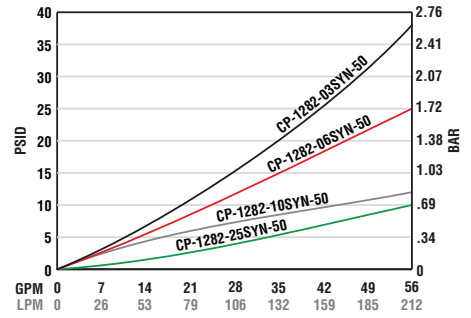
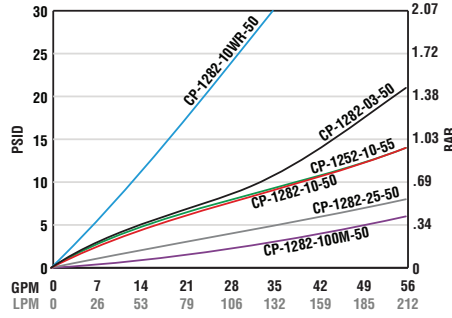
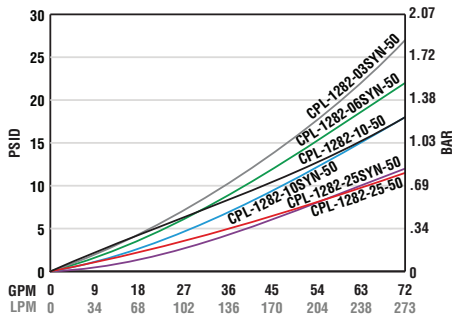
Filter Head Ordering Code

CP — 1281 — R — T

SERIES		MODEL	BYPASS	IND. PORTS	INDICATING GAUGES
CP	NPT	1281	P (15 PSI)	OMIT NONE	OMIT
CPA	SAE	1581	H (2.5 PSI)	T 1/8 NPT	(T) MC-12
GRECP	NPT		R (25 PSI)	S 1/8 NPT	(T) MC-20
GRECPA	SAE		V (5 PSI)	T, S ALL PORTS	(T,S) CP-2
			B (NONE)		(T) GLY-MC-20
					(S) 135080
					(S) VAC-3-20
					(T) LES-P1
					(T) LES-P2
					(S) LES-V1

*Indicators ordered and shipped separately

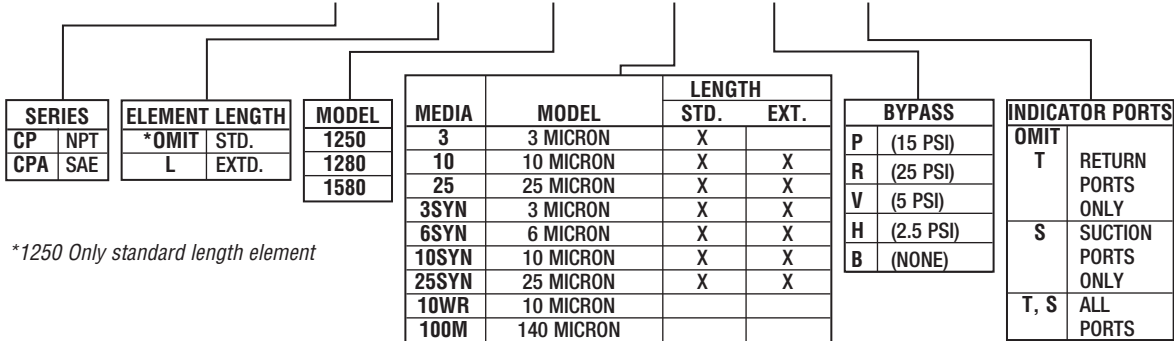
See Technical Bulletin TB.FIL01.708, TB.FIL04.708, TB.FIL09.708, TB.FIL11.708, TB.FIL13.708, TB.FIL16.708, for further information at (Technical Data – www.lenzinc.com)



Temperature 100° F Viscosity 150 SUS
Average pressure drop through clean assembly

Assembly Ordering Code

CP — * — 1280 — 10 — R — T



Replacement Elements

MODEL NUMBER	MEDIA TYPE MICRON	IN AREA	CM AREA	ELEMENT THREAD	RATING B(X)=2/20/75	DIRT HOLDING CAPACITY
CP-1282-03-50	3 MICRON CELLULOSE	850	5483	1 1/2-16 UNF	3μ/10μ/22μ	31
CP-1282-10-50	10 MICRON CELLULOSE	950	6129	1 1/2-16 UNF	10μ/22μ/33μ	34
CP-1282-25-50	25 MICRON CELLULOSE	950	6129	1 1/2-16 UNF	29μ/46μ/54μ	34
CP-1282-03SYN-50	3 MICRON SYNTHETIC	625	4032	1 1/2-16 UNF	2μ/3μ/4μ	31
CP-1282-06SYN-50	6 MICRON SYNTHETIC	625	4032	1 1/2-16 UNF	5μ/6μ/8μ	35
CP-1282-10SYN-50	10 MICRON SYNTHETIC	561	3619	1 1/2-16 UNF	4μ/10μ/12μ	38
CP-1282-25SYN-50	25 MICRON SYNTHETIC	673	4341	1 1/2-16 UNF	8μ/25μ/30μ	50
CPL-1282-10-50	10 CELLULOSE	1227	7916	1 1/2-16 UNF	10μ/22μ/33μ	62
CPL-1282-25-50	25 CELLULOSE	1227	7916	1 1/2-16 UNF	29μ/46μ/54μ	62
CPL-1282-03SYN-50	3 MICRON SYNTHETIC	1265	8161	1 1/2-16 UNF	2μ/3μ/4μ	47
CPL-1282-06SYN-50	6 MICRON SYNTHETIC	1115	7193	1 1/2-16 UNF	5μ/6μ/8μ	54
CPL-1282-10SYN-50	10 MICRON SYNTHETIC	1041	6716	1 1/2-16 UNF	4μ/10μ/12μ	59
CPL-1282-25SYN-50	25 MICRON SYNTHETIC	1246	8028	1 1/2-16 UNF	8μ/25μ/30μ	76
CP-1252-10-55	10 MICRON CELLULOSE	946	6103	1 1/4 BSP	9μ/22μ/24μ	34
CP-1282-10WR-50	10 WATER REMOVAL	650	4193	1 1/2-16 UNF	10μ/18μ	15 OUNCES
CP-1282-100M-50	100 SS WIRE MESH	200	1290	1 1/2-16 UNF	N/A	N/A

Beta Rating of 2 = 50% Efficiency
Beta Rating of 20 = 95% Efficiency
Beta Rating of 75 = 98.7% Efficiency

Note: 80 P.S.I. Pressure Drop Maximum
Without Bypass Valve In Filter Head

For indicator gauge specifications and ordering information see pages 34a-35a

*Indicators ordered and shipped separately





Canister Filters/Disposable Type

Suction or Return Line Application
Model Series-CP (NPT & SAE Ports)

CP-1500, 1520

Specifications

- Working pressure 150 P.S.I. (10 Bar) 80 PSI ΔP w/o bypass
- Operating Temperatures -22° F to +212° F (-32° C to +100° C)
- Flows to 120 GPM (455 LPM) Return
- Flows to 35 GPM (132 LPM) Suction
- Aluminum casting
- Buna Seals
- Compatible with mineral oils HH, HL, HM, HR, HV, HG, according to ISO 6743/4
- Element post threads 1 1/2"-16 UNF or 1 1/4" BSP
- 9-11 (lbs), 4-5 (kgs) shipping weight
- 1 1/2" NPT Ports, 1500 SAE Flange

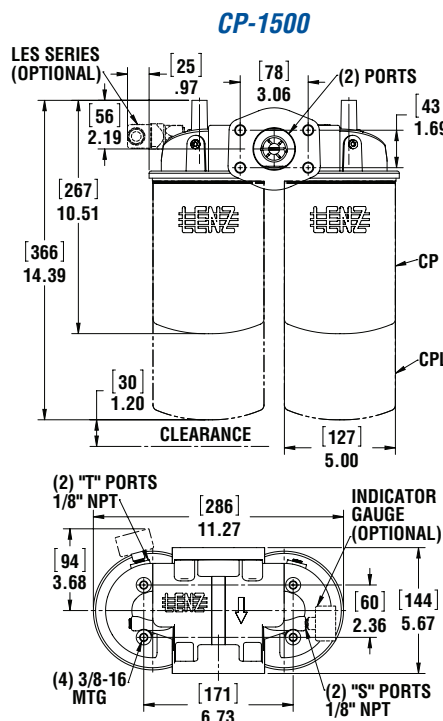
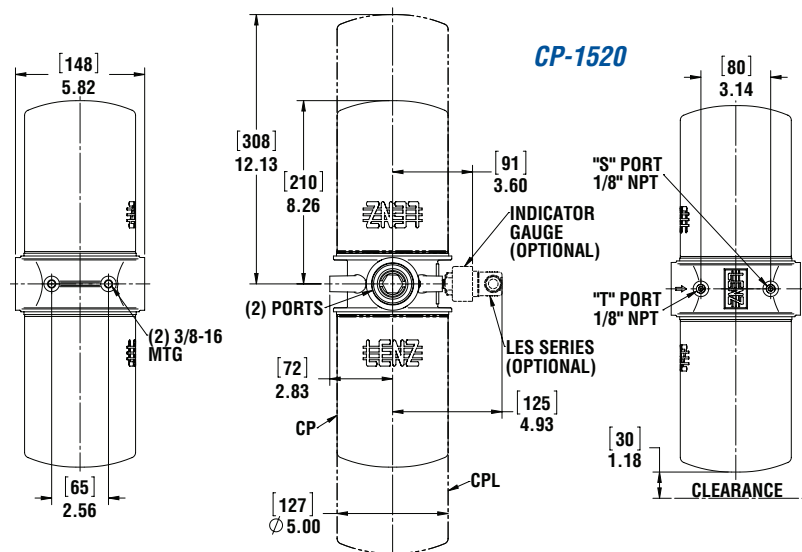
Options

- 10, 25, 100 micron cellulose, wire mesh & 3, 6, 10, 25, synthetic elements
- Water absorbing elements
- Visual or electrical indicators
- 2.5, 5, 15, 25, P.S.I.D., blocked bypass options for suction or return
- 100 wire mesh elements



CP-1500 Series

CP-1520 Series



Use LENZ Flange W43-32-32 on CP-1500, CPA-1500 if needed



CP-1501

CP-1521

The dual post thread on this head accepts both European and North American standard filter elements.

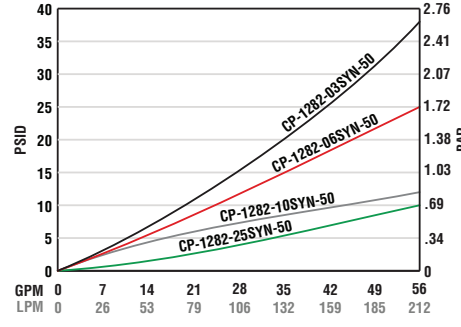
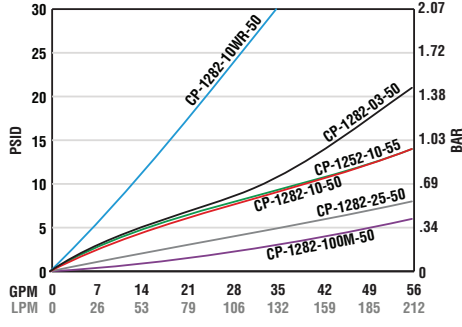
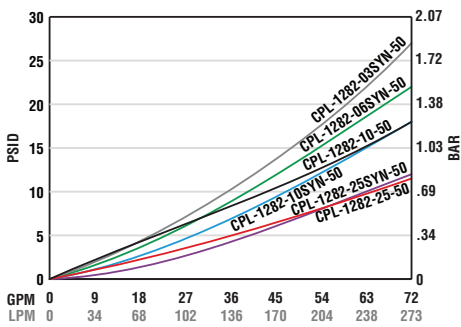
Filter Head Ordering Code

CP — 1521 — R — T

SERIES		MODEL	BYPASS		IND. PORTS		INDICATING GAUGES	
CP	NPT	1521	P	(15 PSI)	OMIT	NONE	OMIT	
CPA	SAE	1501	H	(2.5 PSI)	T	1/8 NPT RETURN	(T)	MC-12
			R	(25 PSI)	S	1/8 NPT SUCTION	(T)	MC-20
			V	(5 PSI)	T, S	ALL PORTS	(T,S)	CP-2
			B	(NONE)			(T)	GLY-MC-20
							(S)	135080
							(S)	VAC-3-20
							(T)	LES-P1
							(T)	LES-P2
							(S)	LES-V1

*Indicators ordered and shipped separately

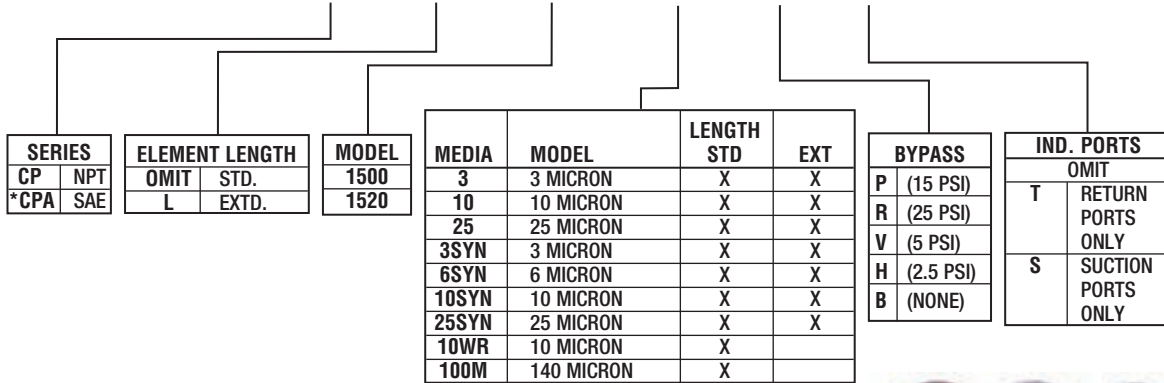
See Technical Bulletin TB.FIL01.708, TB.FIL04.708, TB.FIL09.708, TB.FIL11.708, TB.FIL13.708, TB.FIL16.708, for further information at (Technical Data – www.lenzinc.com)



Temperature 100° F Viscosity 150 SUS
Average pressure drop through clean assembly

Assembly Ordering Code

CP — L — 1500 — 10 — R — T



For indicator gauge specifications and ordering information see pages 34a-35a

**Indicators ordered and shipped separately*



Replacement Elements

MODEL NUMBER	MEDIA TYPE MICRON	IN AREA	CM AREA	ELEMENT THREAD	RATING B(X)=2/20/75	DIRT HOLDING CAPACITY
CP-1282-03-50	3 MICRON CELLULOSE	850	5483	1 1/2-16 UNF	3µ/10µ/22µ	31
CP-1282-10-50	10 MICRON CELLULOSE	950	6129	1 1/2-16 UNF	10µ/22µ/33µ	34
CP-1282-25-50	25 MICRON CELLULOSE	950	6129	1 1/2-16 UNF	29µ/46µ/54µ	34
CP-1282-03SYN-50	3 MICRON SYNTHETIC	625	4032	1 1/2-16 UNF	2µ/3µ/4µ	31
CP-1282-06SYN-50	6 MICRON SYNTHETIC	625	4032	1 1/2-16 UNF	5µ/6µ/8µ	35
CP-1282-10SYN-50	10 MICRON SYNTHETIC	561	3619	1 1/2-16 UNF	4µ/10µ/12µ	38
CP-1282-25SYN-50	25 MICRON SYNTHETIC	673	4341	1 1/2-16 UNF	8µ/25µ/30µ	50
CPL-1282-10-50	10 CELLULOSE	1227	7916	1 1/2-16 UNF	10µ/22µ/33µ	62
CPL-1282-25-50	25 CELLULOSE	1227	7916	1 1/2-16 UNF	29µ/46µ/54µ	62
CPL-1282-03SYN-50	3 MICRON SYNTHETIC	1265	8161	1 1/2-16 UNF	2µ/3µ/4µ	47
CPL-1282-06SYN-50	6 MICRON SYNTHETIC	1115	7193	1 1/2-16 UNF	5µ/6µ/8µ	54
CPL-1282-10SYN-50	10 MICRON SYNTHETIC	1041	6716	1 1/2-16 UNF	4µ/10µ/12µ	59
CPL-1282-25SYN-50	25 MICRON SYNTHETIC	1246	8028	1 1/2-16 UNF	8µ/25µ/30µ	76
CP-1252-10-55	10 MICRON CELLULOSE	946	6103	1 1/4 BSP	9µ/22µ/24µ	34
CP-1282-10WR-50	10 WATER REMOVAL	650	4193	1 1/2-16 UNF	10µ/18µ	15 OUNCES
CP-1282-100M-50	100 SS WIRE MESH	200	1290	1 1/2-16 UNF	N/A	N/A

Areas & dirt holding filter shown are for one element.

Beta Rating of 2 = 50% Efficiency
Beta Rating of 20 = 95% Efficiency
Beta Rating of 75 = 98.7% Efficiency

Note: 80 P.S.I. Pressure Drop Maximum Without Bypass Valve In Filter Head



Medium Pressure In Line Filters Cartridge Type

Suction or Return Line Application
Model DH & DHA (NPT & SAE Ports)

Specifications

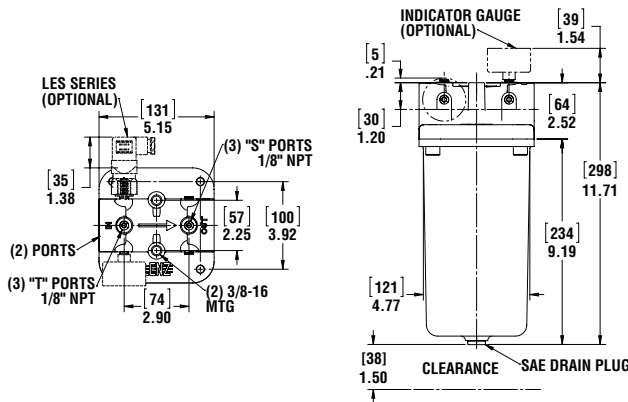
- Working pressure 350 P.S.I. (24 Bar) 80 PSI ΔP w/o bypass
- Operating Temperatures -22° F to +212° F (-32° C to +100° C)
- Flows to 75 GPM (280 LPM) Return
- 1/2", 3/4", 1", 1 1/4", 1 1/2" Ports
- Cellulose and wire mesh elements
- Aluminum casting
- Buna Seals
- Compatible with mineral oils HH, HL, HM,HR,HV, HG, synthetic fluids A and M series types HS, HFDR, HFDS, HFDU and water based emulsions HFAE, HFAS according to ISO 6743/4
- Aluminum bowl with SAE drain plug
- 2.5 (lbs) 1.1 (kg), 5.5lbs, (2.5 kgs) shipping weight

Options

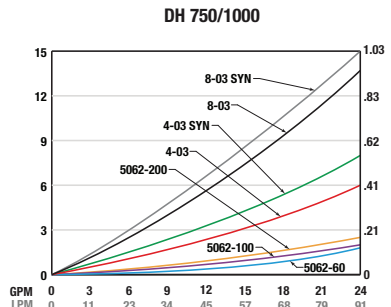
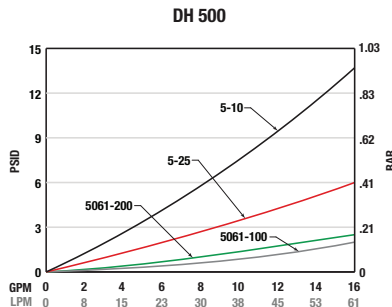
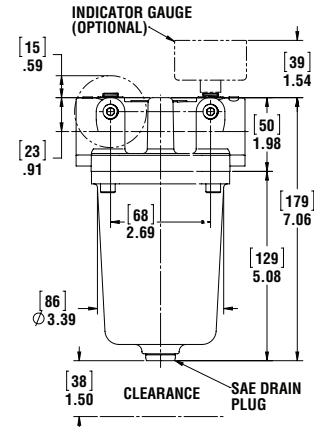
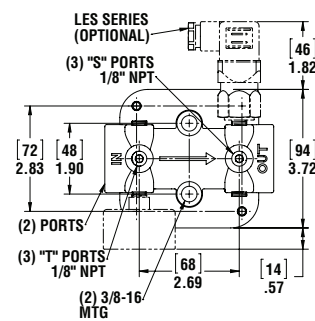
- NPT or SAE Ports
- 10, 25, micron cellulose, synthetic elements
- 60, 100, 200 wire mesh
- Visual or electrical indicators
- 5, 15, 25 P.S.I.D., blocked bypass options for return or suction
- Optional Viton, EPR seals
- Viton Seals required for synthetic fluid



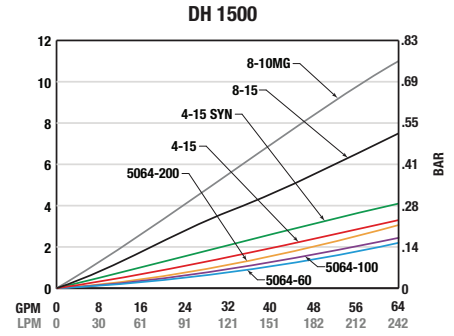
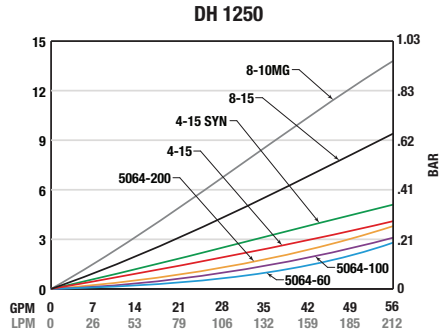
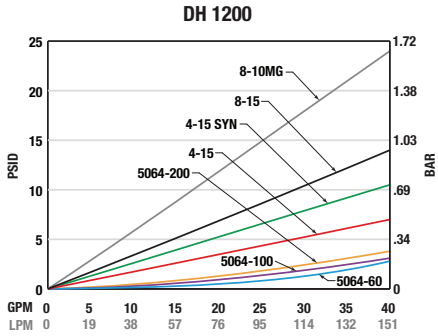
DH-1200, DH-1250, DH-1500



DH-750, DH-1000



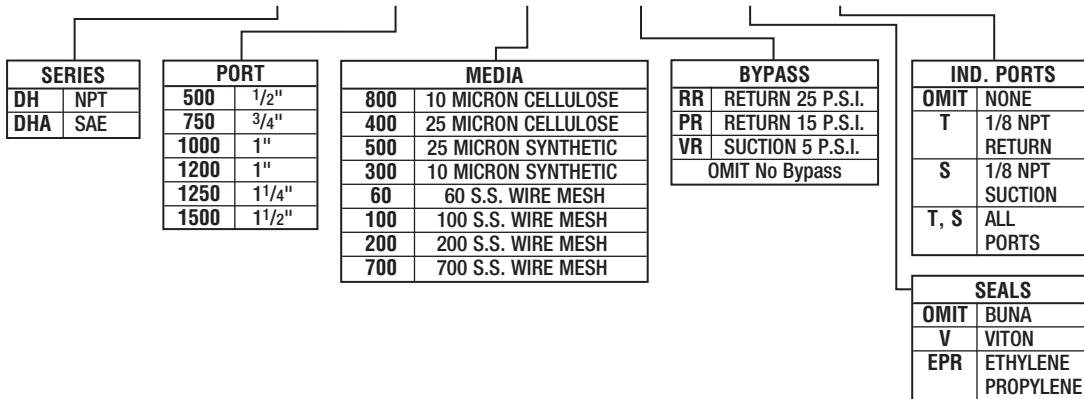
See Technical Bulletin TB.FIL03.708, TB.FIL9.708, TB.FIL11.708, TB.FIL13.708, TB.FIL18.708, for further information at (Technical Data – www.lenzinc.com)



Temperature 100° F Viscosity 150 SUS
Average pressure drop through clean assembly

Assembly Ordering Code

DH — 750 — 800 — PR — V — T



For indicator gauge specifications and ordering information see pages 34a-35a

**Indicators ordered and shipped separately*



Replacement Elements

MODEL	SERIES	MEDIA	IM ²	CM ²	RATING B(X)=2/20/75	DIRT HOLDING CAPACITY
5-10	DH-500	10 MICRON CELLULOSE	143	920	10µ/25µ/32µ	4
5-25	DH-500	25 MICRON CELLULOSE	143	920	43µ/46µ/54µ	5.7
8-03	DH-750, 1000	10 MICRON CELLULOSE	342	2206	10µ/25µ/32µ	10
8-03 SYN	DH-750, 1000	10 MICRON SYNTHETIC	102	655	4µ/10µ/12µ	6
4-03	DH-750, 1000	25 MICRON CELLULOSE	342	2206	43µ/46µ/54µ	14
4-03 SYN	DH-750, 1000	25 MICRON SYNTHETIC	102	655	7µ/16µ/23µ	7
8-15	DH-1200, 1250, 1500	10 MICRON CELLULOSE	1122	7237	10µ/25µ/32µ	34
8-10MG	DH-1200, 1250, 1500	10 MICRON SYNTHETIC	798	5150	3µ/10µ/12µ	47
4-15	DH-1200, 1250, 1500	25 MICRON CELLULOSE	1122	7237	43µ/46µ/54µ	45
4-15 SYN	DH-1200, 1250, 1500	25 MICRON SYNTHETIC	798	5150	7µ/16µ/23µ	55
5061-100	DH-500	100 SS WIRE MESH	55	360	141µ	N/A
5061-200	DH-500	200 SS WIRE MESH	55	360	74µ	N/A
5062-200	DH-750, 1000	200 S.S. WIRE MESH	120	774	74µ	N/A
5062-100	DH-750, 1000	100 S.S. WIRE MESH	120	774	140µ	N/A
5062-700	DH-750, 1000	700 S.S. WIRE MESH	87	560	25µ	N/A
5062-60	DH-750, 1000	60 S.S. WIRE MESH	120	774	262µ	N/A
5064-200	DH-1200, 1250, 1500	200 S.S. WIRE MESH	325	2096	74µ	N/A
5064-60	DH-1200, 1250, 1500	60 S.S. WIRE MESH	325	2096	262µ	N/A
5064-100	DH-1200, 1250, 1500	100 S.S. WIRE MESH	325	2096	144µ	N/A
5064-700	DH-1200, 1250, 1500	700 S.S. WIRE MESH	279	1800	25µ	N/A

Consult factory for other medias, and high collapse medias, element lengths

Beta Rating of 2 = 50% Efficiency
Beta Rating of 20 = 95% Efficiency
Beta Rating of 75 = 98.7% Efficiency

Note: 45 P.S.I. Pressure Drop Maximum Without Bypass Valve In Filter Head



In-Tank Filters Disposable Filter Cartridge Type

Return Line Application
Model "LIT" Series LIT-500, 750, 1000

Specifications

- Working pressure 100 P.S.I. (7 Bar)
- Operating Temperatures -22° F to +212° F (-32° C to +100° C)
- Flows to 25 GPM (96 LPM) Return
- 1/2", 3/4", 1", Ports Aluminum casting
- Buna Seals
- Compatible with mineral oils HH, HL, HM, HR, HV, HG according to ISO 6743/4
- Nylon bowl
- 3-10 (lbs), 1.4-4.5 (kgs) shipping weight
- 25 P.S.I.D. bypass option for return
- Magnet on lid

Options

- NPT or SAE Ports
- 10, 25 micron cellulose, synthetic elements
- Visual or electrical indicators
- Weld Riser Available for LIT-750, 1000 Series
(see Tech Bulletin: TB.FIL.06.708)



LIT-500/750/1000

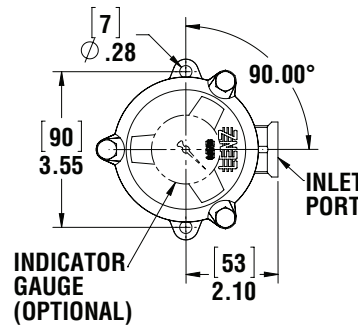
LIT-752-10



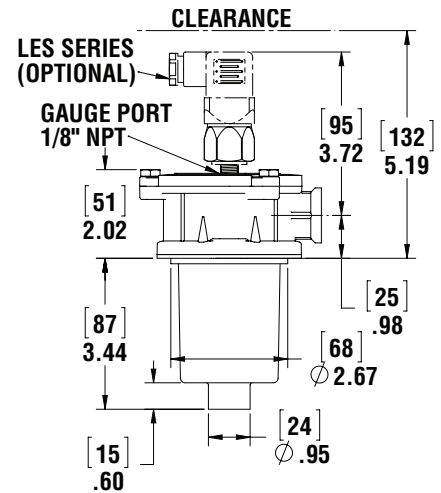
LIT-750-R-WR



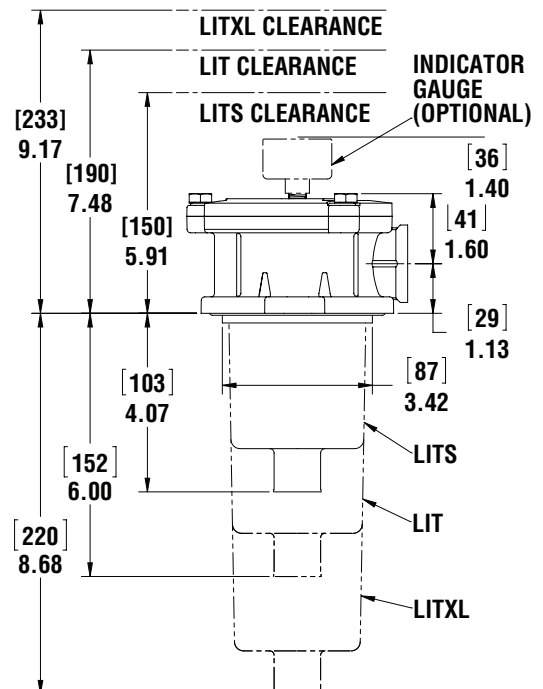
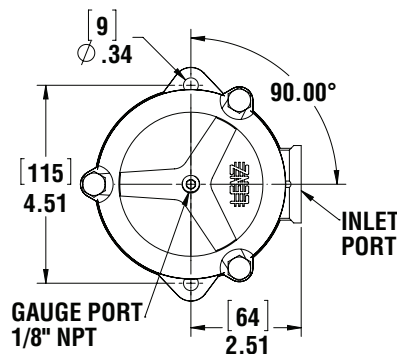
LITXL-1000



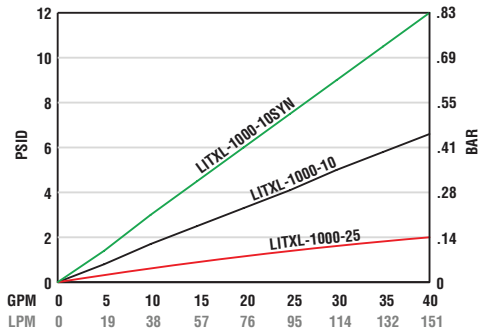
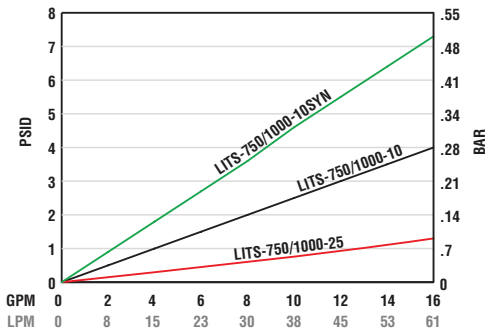
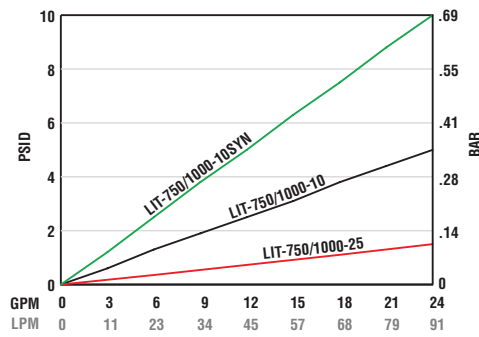
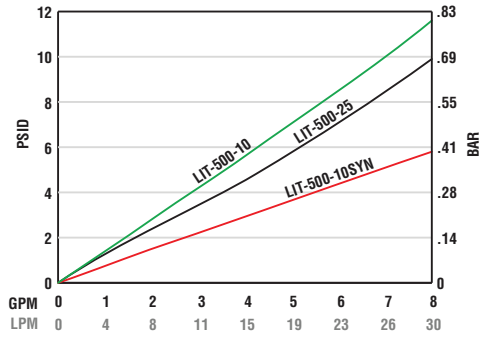
LIT-500



LIT-750, LIT-1000, LITXL-1000,



See Technical Bulletin TB.FIL9.708, TB.FIL11.708, TB.FIL20.708, for further information at (Technical Data – www.lenzinc.com)



Temperature 100° F Viscosity 150 SUS
Average pressure drop through clean assembly

Assembly Ordering Code

LIT — 750 — 10 — P — T

SERIES	
LIT	NPT (ALL)
LITA	SAE (ALL)
LITS	SHORT (750 only)
LITXL	LONG (1000 only)

MODEL	PORT SIZE
500	1/2"
750	3/4"
1000	1"

MEDIA	MODEL
10	10 MIC CELLULOSE
10SYN	10 MIC SYNTHETIC
25	25 MIC CELLULOSE

BYPASS	
P	(25 P.S.I.)

IND. PORTS	
OMIT	NONE
T	1/8 NPT RETURN

LITS, LITXL -
Special order for SAE Ports

For indicator gauge specifications and ordering information see pages 34a-35a

**Indicators ordered and shipped separately*



Replacement Elements

FILTER MODEL	ELEMENT NUMBER	MEDIA	IN	CM	B=2/20/75	DIRT HOLDING CAPACITY
LIT-500	LIT502-10P	10 MICRON CELLULOSE	110	710	6µ/8µ/13µ	3
	LIT502-25P	25 MICRON CELLULOSE	110	710	24µ/35µ/43µ	4
	LIT502-10SYN	10 MICRON SYNTHETIC	78	500	3µ/5.5µ/12µ	4
LITS-750, 1000	LITS-752-10P	10 MICRON CELLULOSE	190	1225	6µ/8µ/13µ	6
	LITS-752-25P	25 MICRON CELLULOSE	190	1225	24µ/35µ/43µ	8
	LITS-752-10SYN	10 MICRON SYNTHETIC	136	875	3µ/5.5µ/12µ	8
LIT-750, 1000	LIT-752-10P	10 MICRON CELLULOSE	380	2450	6µ/8µ/13µ	11
	LIT-752-25P	25 MICRON CELLULOSE	380	2450	24µ/35µ/43µ	15
	LIT-752-10SYN	10 MICRON SYNTHETIC	271	1750	3µ/5.5µ/12µ	16
LITXL-1000	LITXL-1002-10P	10 MICRON CELLULOSE	620	4000	6µ/8µ/13µ	19
	LITXL-1002-25P	25 MICRON CELLULOSE	620	4000	24µ/35µ/43µ	25
	LITXL-1002-10SYN	10 MICRON SYNTHETIC	450	2900	3µ/5.5µ/12µ	27

Suggested tightening gauge to mount filter to reservoir is 8ft.lbs (11)NM

Beta Rating of 2 = 50% Efficiency
Beta Rating of 20 = 95% Efficiency
Beta Rating of 75 = 98.7% Efficiency

Note: 45 P.S.I. Pressure Drop Maximum
Without Bypass Valve In Filter Head



In-Tank Filters Disposable Filter Cartridge Type

Return Line Application
Model "LIT" Series LIT-1250, 1500, 2000,

Specifications

- Working pressure 100 P.S.I. (7 Bar)
- Operating Temperatures -22° F to +212° F (-32° C to +100° C)
- Flows to 100 GPM (378 LPM) Return
- 1 1/4", 1 1/2", 2" Ports Aluminum casting
- Buna Seals
- Compatible with mineral oils HH, HL, HM, HR, HV, HG, according to ISO 6743/4
- Nylon bowl single length only
- 25 P.S.I.D. bypass option for return
- Steel bowl LIT-1500, 2000 Series

Options

- NPT or SAE Ports
- 10, 25 micron cellulose, synthetic elements
- Water absorbing elements
- Visual or electric indicators
- 140 Micron Wire Mesh elements
- Dual ports available on 1250, 1500, 2000 Series
- Weld Riser Available for LIT-1250, 1500, 2000 Series
(see Tech Bulletin: TB.FIL.06.708)
- Weld Riser Available for LIT-1250, 1500, 2000 Series



LIT-1250



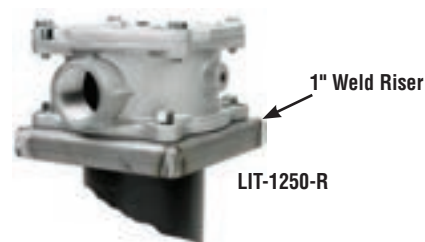
LIT-1252-10P



DUAL LIT-1501



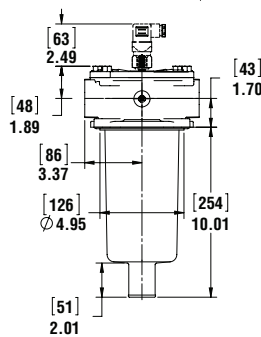
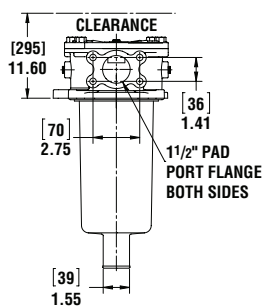
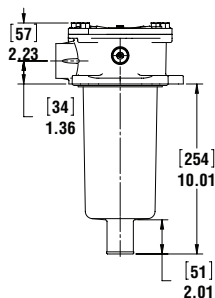
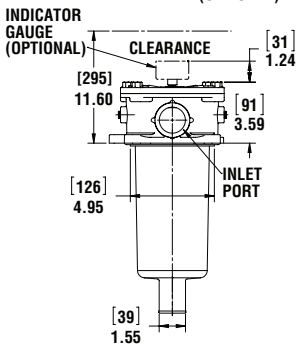
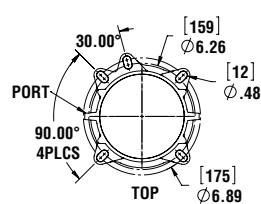
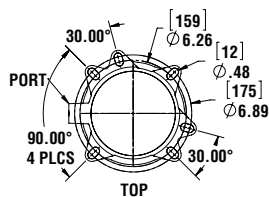
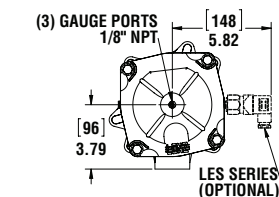
LIT-1250-R-SHORT



LIT-1250-R

LIT-1250

DUAL-LIT-1250



LIT Port Housing

	INLET A	INLET B
LIT-1250	1 1/4" NPT	1 1/2" FLANGE-1 1/4" NPT
LITA-1250	1 5/8"-12 SAE	1 1/2" FLANGE-1 5/8"-12 SAE
	INLET A	INLET B
LIT-1500	1 1/2" NPT	1 1/2" FLANGE-1 1/4" NPT
LITA-1500	1 7/8"-12 SAE	1 1/2" FLANGE-1 5/8"-12 SAE
	INLET A	INLET B
LIT-2000	2" NPT	1 1/2" FLANGE-1 1/4" NPT
LITA-2000	2 1/2"-12 SAE	1 1/2" FLANGE-1 5/8"-12 SAE

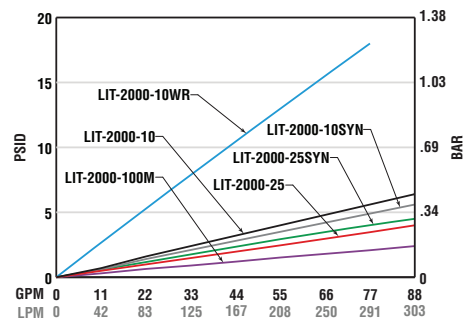
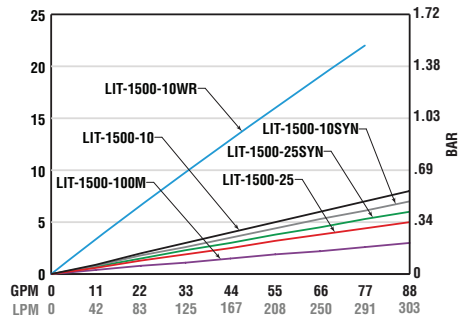
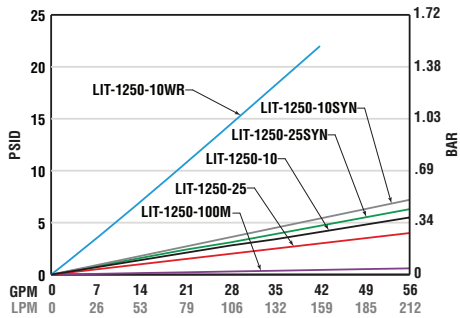
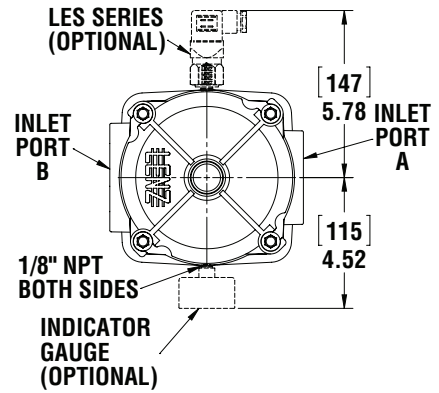
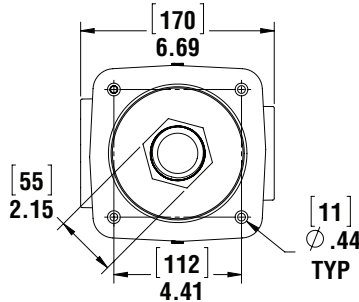
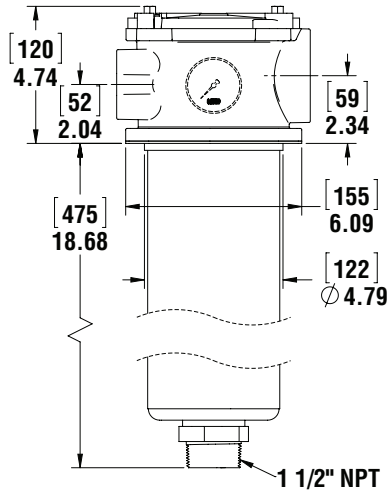
See Technical Bulletin TB.FIL9.708, TB.FIL11.708, TB.FIL20.708, for further information at (Technical Data – www.lenzinc.com)

For indicator gauge specifications and ordering information see pages 34a-35a

**Indicators ordered and shipped separately*



DUAL-LIT-1500, LIT-2000



Temperature 100° F Viscosity 150 SUS
Average pressure drop through clean assembly

Assembly Ordering Code

LIT — 1250 — — 10 — P — T

SERIES		MODEL	PORT SIZE	BOWL LENGTH		MEDIA	MODEL	IND. PORTS		INDICATOR	
LIT	NPT	1250	1 1/4"	OMIT	SINGLE ELEMENT	10	10 MIC CELLULOSE	OMIT	NONE	OMIT	NONE
LITA	SAE	1500	1 1/2"		HOSE BEAD	25	25 MIC CELLULOSE	T	RETURN	(T)	LES-P2
DUAL	LIT	2000	2"	L1	SINGLE ELEMENT	10SYN	10 MIC SYNTHETIC	BYPASS		(T)	MC-20
DUAL	LITA			L2	DOUBLE ELEMENT	25SYN	25 MIC SYNTHETIC	P	(25 P.S.I.)	(T)	CP-2
					THREADED	10WR	10 MIC WATER ABSORPTION			(T)	GLY-MC-20
					THREADED	100M	140 MIC SS WIRE MESH				

1500-2000 Dual Port Castings only
DUAL-LITA 1500-2000 only



For indicator gauge specifications and ordering information see pages 34a-35a

*Indicators ordered and shipped separately

Replacement Elements

MODEL NUMBER	MEDIA	IN	CM	B=2/20/75	DIRT HOLDING
LIT-1252-10P	10 MICRON CELLULOSE	1120	7220	6µ/8µ/13µ	34
LIT-1252-25P	25 MICRON CELLULOSE	1120	7220	24µ/35µ/43µ	44
LIT-1252-10SYN	10 MICRON SYNTHETIC	1120	7220	3µ/5.5µ/12µ	34
LIT-1252-10WR	10 MICRON WATER REMOVAL	452	2916	10µ/18µ	14 Ounces
LIT-1252-100M	140 MICRON WIRE MESH	310	1991	140µ	N/A

LIT-1252 elements meet HF 4 specifications
Element area & dirt holding shown are for one element

Beta Rating of 2 = 50% Efficiency
Beta Rating of 20 = 95% Efficiency
Beta Rating of 75 = 98.7% Efficiency
Note: 45 P.S.I. Pressure Drop Maximum



In-Tank Filters Disposable Filter Cartridge Type

Return Line Application Series LITA-1010

Specifications

- Working pressure 100 PSI (7 Bar)
- Operating Temperatures -22° F to +212° F (-32° C to +100° C)
- Flows to 40 GPM (160 LPM) Return
- 1" Port Aluminum casting
- Buna Seals
- Compatible with mineral oils HH, HL, HM,HR,HV, HG, and water based emulsions HFAE, HFAS according to ISO 6743/4
- Nylon bowl
- 3 (lbs), 1.4 (kgs) shipping weight

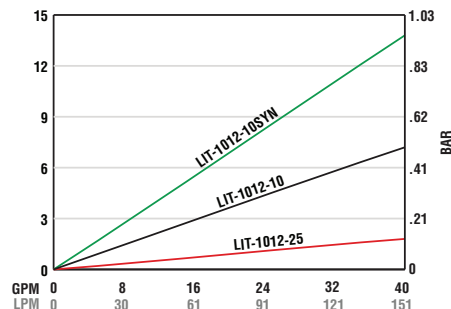
Options

- 1" NPT Ports, non stock
- 10, 25 micron cellulose, synthetic elements
- 25" PSI bypass
- Visual or electrical indicator

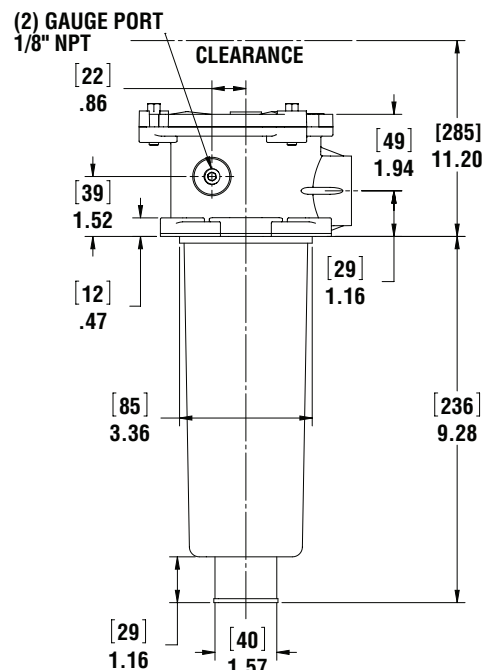
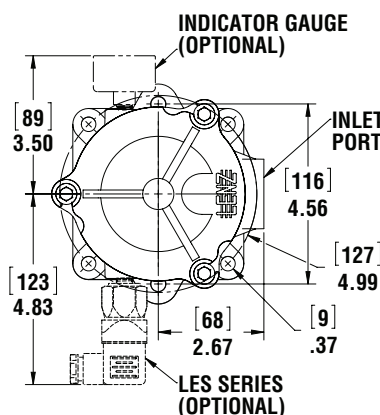
LITA-1010 Series



LIT-1012



Temperature 100° F Viscosity 150 SUS
Average pressure drop through clean assembly



Replacement Elements

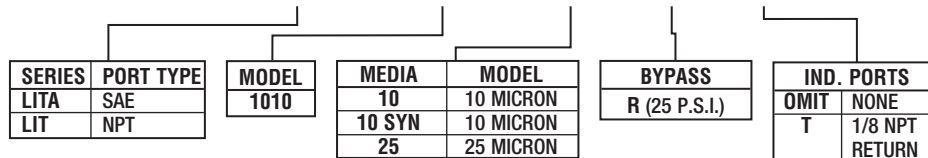
ELEMENT NUMBER	AREA IN ²	CM01 ²	DIRT HOLDING CAPACITY	B=2/20/75
LIT-1012-10SYN	212	1367	12	3μ/5.5μ/12μ
LIT-1012-10	254	1638	8	6μ/8μ/13μ
LIT-1012-25	254	1638	10	24μ/35μ/43μ

Beta Rating of 2 = 50% Efficiency
Beta Rating of 20 = 95% Efficiency
Beta Rating of 75 = 98.7% Efficiency

Note: 80 P.S.I. Pressure Drop Maximum
Without Bypass Valve in Filter Head

Assembly Ordering Code

LITA — 1010 — 10 — R — T



See Technical Bulletin TB.FIL09.708, TB.FIL11.708, TB.FIL20.708, for further information at (Technical Data – www.lenzinc.com)

For indicator gauge specifications and ordering information see pages 34a-35a

**Indicators ordered and shipped separately*





Cartridge Style In Line Filter

CF-500

- Aluminum die cast head & bowl
- Flows to 6 GPM (22 LPM) return
- Operating temperature -22 F to + 212 F (-32C to 100 C)
- Maximum operating pressure 150 PSI
- 1/2" NPT threads standard
- Compatible with mineral oils, HH, HL, HM, HR, HV, HG
- Synthetic fluids A and M series types HS, HFDS, HFDU and water based emulsions HFAE, HFAS according to ISO 6743/4
- Buna seals
- Cellulose & wire mesh elements

Options

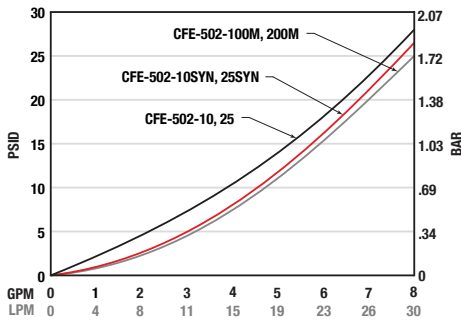
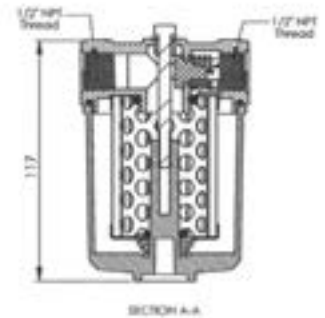
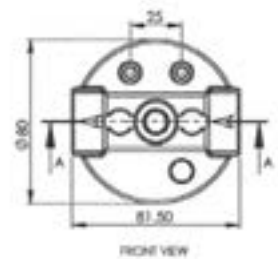
- 3/4"-16 SAE
- 10, 25 micron cellulose, synthetic elements
- 100, 200 wire mesh elements
- Visual or electrical indicators
- 3, 5, 15, 25 PSI bypasses available
- Viton seals



CF-500



CFE-502-10



Temperature 100° F Viscosity 150 SUS
Average pressure drop through clean assembly

Ordering Code

CF — 500 — 10 — B — V — T — *

MODEL		PORT SIZE	MEDIA		BYPASS		SEALS		INDICATOR PORTS		INDICATOR	
CF	NPT	500	10	10 MIC CELLULOSE	P	(15 PSI)	OMIT	BUNA	OMIT	OMIT	(T)	LES-P2
CFA	SAE		25	25 MIC CELLULOSE	R	(25 PSI)	V	VITON	T	RETURN	(T)	MC-20
			10SYN	10 MIC SYNTHETIC	B	(BLOCK)			S	SUCTION	(T,S)	CP-2
			25SYN	25 MIC SYNTHETIC	V	(5 PSI)					(T)	GLY-MC-20
			100M	140 MIC SS WIRE MESH	H	(2.5 PSI)						
			200M	74 MIC SS WIRE MESH								

For indicator specifications and ordering information see pages 34-35a
Indicators ordered and shipped separately.

Replacement Elements

MODEL NUMBER	MEDIA TYPE MICRON	AREA IN	AREA CM
CFE-502-10	10 MICRON	144	925
CFE-502-25	25 MICRON	144	925
CFE-502-10SYN	10 MICRON SYNTHETIC	101	655
CFE-502-25SYN	25 MICRON SYNTHETIC	101	655
CFE-502-100M	140 MICRON	56	360
CFE-502-200M	74 MICRON	56	360



In-Tank Filters Disposable Filter Cartridge Type

Return Line Application

Model "RTF" 500, 750, 1000, 1250

Specifications

- Working pressure 150 PSI (10 bar)
- Operating temperatures -22F to +212 F (-32C to +100 C)
- Flows to 46 GPM, (175 LPM)
- Bypass 25 PSI (1 bar)
- Compatible with mineral oils HH, HL, HM, HR, HV, HG, water according to ISO 6743/4
- Aluminum casting - bowl
- Magnet on lid

Options

- NPT or SAE ports
- 10, 25 micron cellulose, synthetic elements
- Dual port filter 1000 and 1250 Series
- Visual or electrical indicators

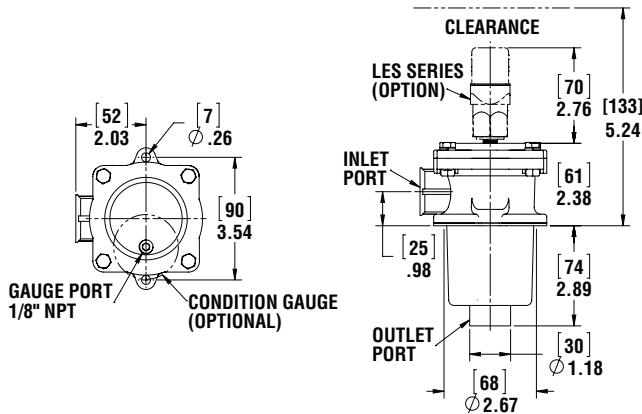


**RTF-500,
750, 1000,
1250**

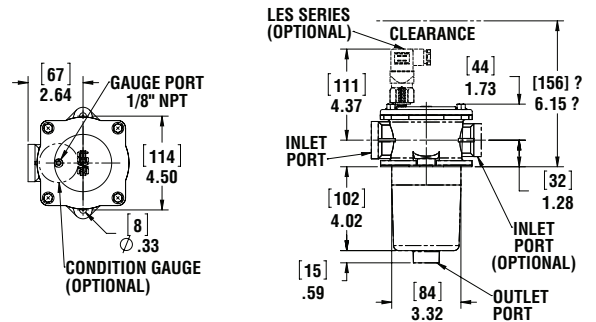
**DUAL RTF-
1000, 1250**

LIT-1252

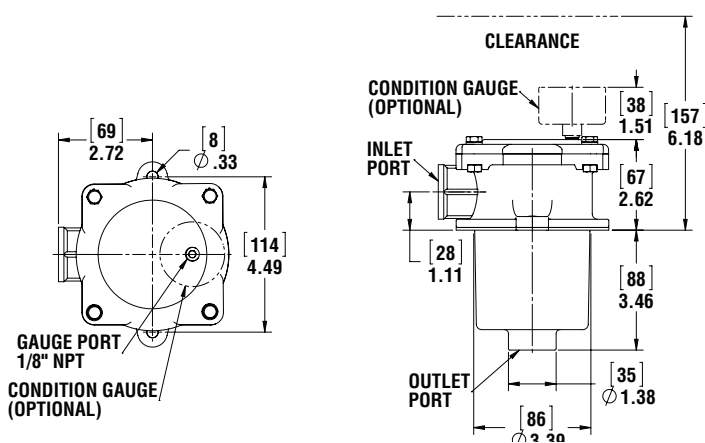
RTF-500



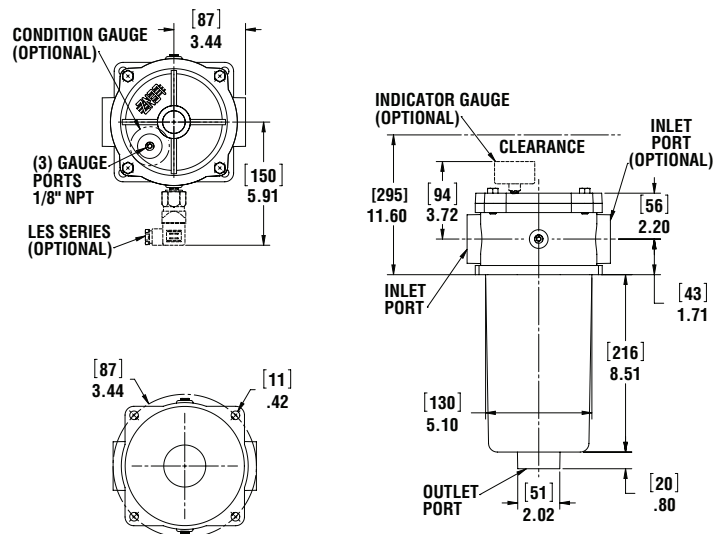
RTF-1000



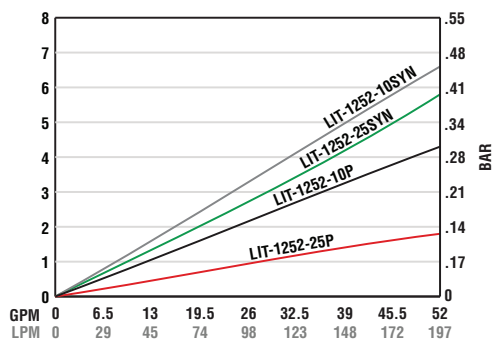
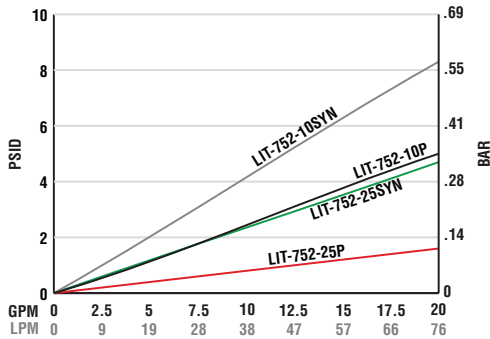
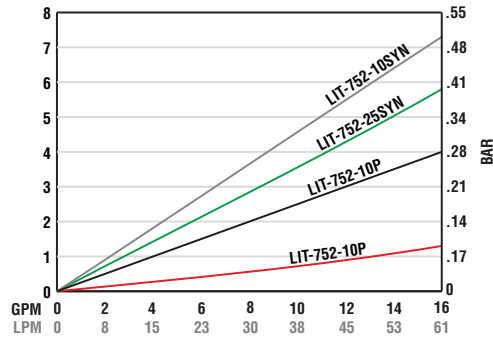
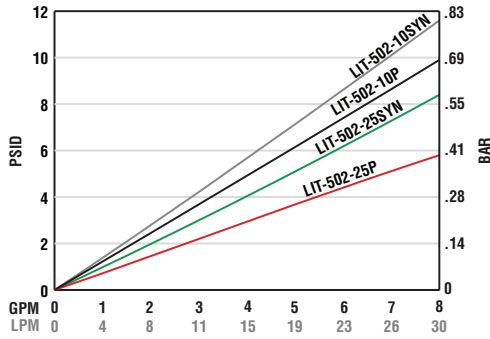
RTF-750



RTF-1250



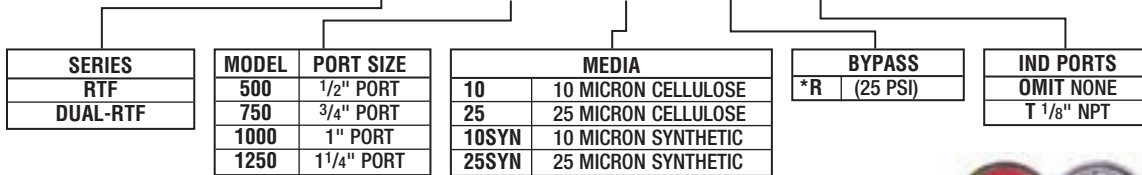
See Technical Bulletin TB.FIL09.708, TB.FIL11.708, TB.FIL20.708, for further information at (Technical Data – www.lenzinc.com)



Temperature 100° F Viscosity 150 SUS
Average pressure drop through clean assembly

Assembly Ordering Code

RTF — 500 — 10 — R — T



*Dual port "x" available on RTF 1000, 1250 only

For indicator gauge specifications and ordering information see pages 34a-35a

**Indicators ordered and shipped separately*



Replacement Elements

FILTER MODEL	ELEMENT NUMBER	MEDIA	IN ²	CM ²	B(X)=2/20/75	DIRT HOLDING CAPACITY
RTF-500	LIT-502-10P	10 MICRON CELLULOSE	110	710	6µ/8µ/13µ	3
	LIT-502-25P	25 MICRON CELLULOSE	110	710	24µ/35µ/43µ	4
	LIT-502-10SYN	10 MICRON SYNTHETIC	78	500	3µ/5.5µ/12µ	5
	LIT-502-25SYN	25 MICRON SYNTHETIC	78	500	7µ/16µ/23µ	6
RTF-750	TIE-752-10P	10 MICRON CELLULOSE	190	1225	6µ/8µ/13µ	6
	TIE-752-25P	25 MICRON CELLULOSE	190	1225	24µ/35µ/43µ	8
	TIE-752-10SYN	10 MICRON SYNTHETIC	136	875	3µ/5.5µ/12µ	8
	TIE-752-25SYN	25 MICRON SYNTHETIC	136	875	7µ/16µ/23µ	9.5
RTF-1000	LIT-752-10P	10 MICRON CELLULOSE	380	2450	6µ/8µ/13µ	11
	LIT-752-25P	25 MICRON CELLULOSE	380	2450	24µ/35µ/43µ	15
	LIT-752-10SYN	10 MICRON SYNTHETIC	271	1750	3µ/5.5µ/12µ	16
	LIT-752-25SYN	25 MICRON SYNTHETIC	271	1750	7µ/16µ/23µ	19
RTF-1250	LIT-1252-10P	10 MICRON CELLULOSE	1120	7220	6µ/8µ/13µ	34
	LIT-1252-25P	25 MICRON CELLULOSE	1120	7220	24µ/35µ/43µ	44
	LIT-1252-10SYN	10 MICRON SYNTHETIC	1120	7220	3µ/5.5µ/12µ	34
	LIT-1252-10WR	10 MICRON WATER ABSORPTION	452	2916	10µ/18µ	14 Ounces
	LIT-1252-100M	100 MESH SS WIRE MESH	310	1991	140µ	N/A

Beta Rating of 2 = 50% Efficiency
Beta Rating of 20 = 95% Efficiency
Beta Rating of 75 = 98.7% Efficiency
Note: 45 P.S.I. Pressure Drop Maximum



In-Tank Filters Disposable Filter Cartridge Type

Return Line Application

Model "LFT, LFTA"-750, 1000, 1250

Specifications

- Working pressure 100 PSI (7 bar)
- Operating temperatures -22F to +212 F (-32C to +100 C)
- Flows to 40 GPM
- Bypass 25 PSI
- Compatible with mineral oils HH, HL, HM, HR, HV HG according to ISO 6743/4
- Aluminum casting with nylon filter bowl
- Nylon thread on cover

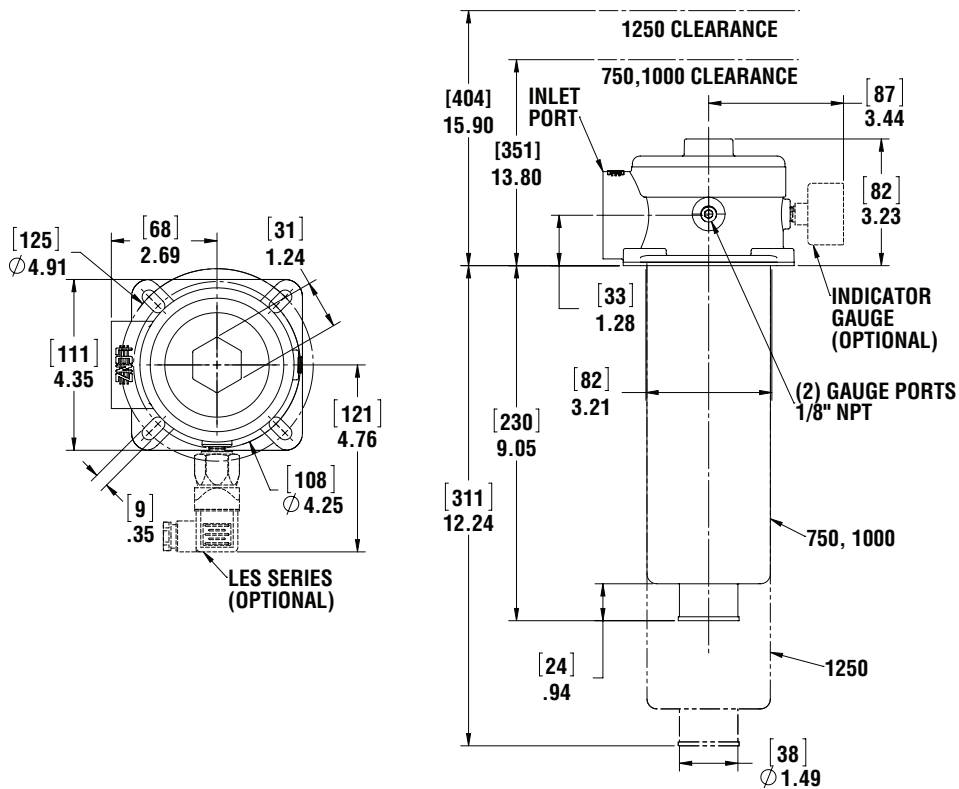
Options

- NPT or SAE ports
- 10, 25 micron cellulose, synthetic elements
- Visual or electrical indicators

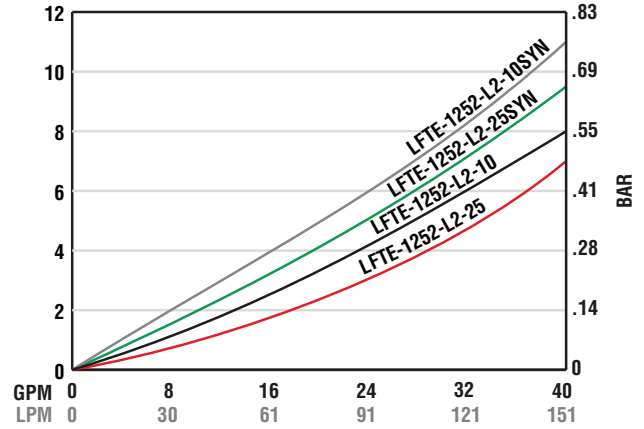
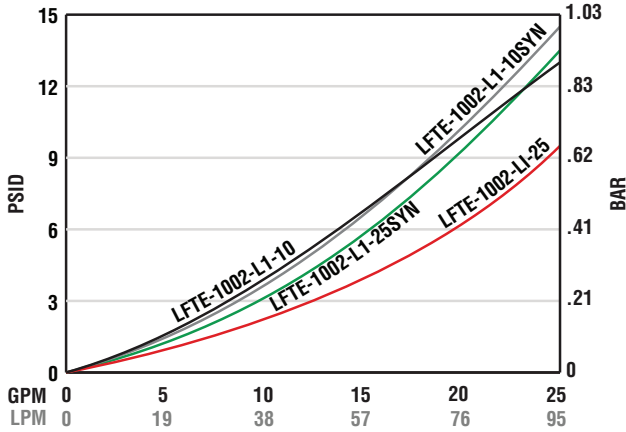


LFT-1250

LFTE



See Technical Bulletin TB.FIL09.708, TB.FIL11.708, TB.FIL20.708, for further information at (Technical Data – www.lenzinc.com)



Temperature 100° F Viscosity 150 SUS
Average pressure drop through clean assembly

Assembly Ordering Code

LFT — 750 — 10 — L1 — T

SERIES		PORT SIZE		ELEMENT		BOWL LENGTH		IND. PORTS	
LFT	(NPT)	750	3/4"	10	10 MICRON CELLULOSE	L1	750, 1000	OMIT	NONE
LFTA	(SAE)	1000	1"	25	25 MICRON CELLULOSE	L2	1250	T	1/8 NPT RETURN
		1250	1 1/4"	10SYN	10 MICRON SYNTHETIC				
				25SYN	25 MICRON SYNTHETIC				

For indicator gauge specifications and ordering information see pages 34a-35a

**Indicators ordered and shipped separately*



Replacement Elements

FILTER NUMBER	ELEMENT NUMBER	MEDIA	IN	CM	B-20/75/200	DIRT HOLDING
LFT-750, 1000	LFTE-1002-L1-10	10 MICRON CELLULOSE	511	3300	6μ/8μ/13μ	15
	LFTE-1002-L1-25	25 MICRON CELLULOSE	511	3300	25μ/35μ/43μ	20
	LFTE-1002-L1-10SYN	10 MICRON SYNTHETIC	372	2400	3μ/5.5μ/12μ	22
	LFTE-1002-L1-25SYN	25 MICRON SYNTHETIC	372	2400	7μ/16μ/23μ	26
LFT-1250	LFTE-1252-L2-10	10 MICRON CELLULOSE	698	4500	6μ/8μ/13μ	21
	LFTE-1252-L2-25	25 MICRON CELLULOSE	698	4500	25μ/35μ/43μ	28
	LFTE-1252-L2-10SYN	10 MICRON SYNTHETIC	504	3250	3μ/5.5μ/12μ	30
	LFTE-1252-L2-25SYN	25 MICRON SYNTHETIC	504	3250	7μ/16μ/23μ	35

Beta Rating of 2 = 50% Efficiency
Beta Rating of 20 = 95% Efficiency
Beta Rating of 75 = 98.7% Efficiency
Note: 45 P.S.I. Pressure Drop Maximum



LFTB In-Tank Filter/ Breather

LFTB, LFTBA 750, 1000, 1250

Specifications

- Working pressure 100 PSI (7 Bar)
- Operating temperatures (-22F to +212F) (-32C to +100C)
- Flows to 40 GPM
- Bypass 25 PSID
- Compatible with mineral oils HH, HL, HM, HR, HV, HG, according to ISO 6743/4
- Aluminum casting with nylon bowl
- Nylon thread on cover
- 40 micron breather standard
- Buna tank gasket

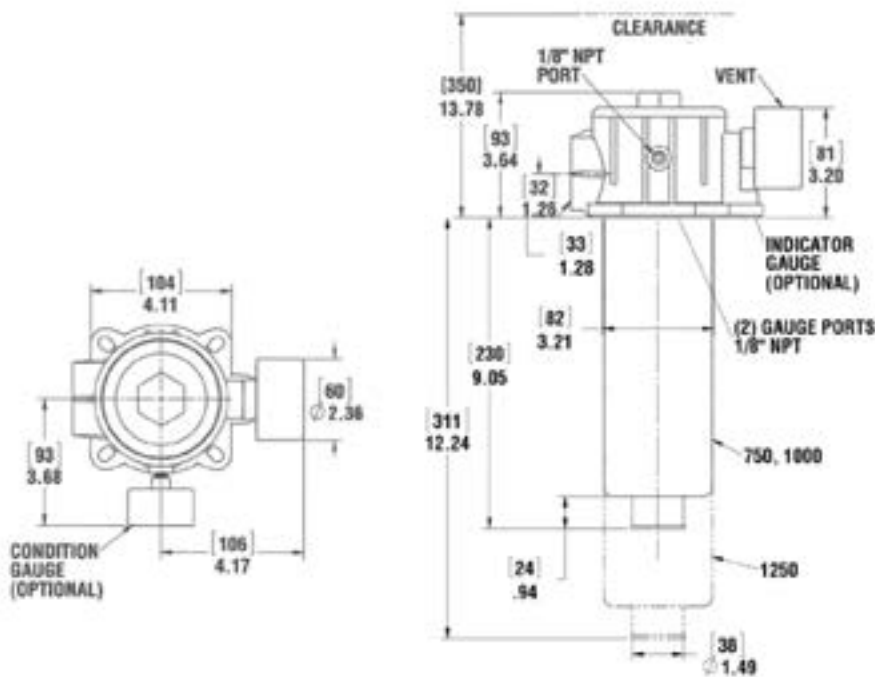
Options

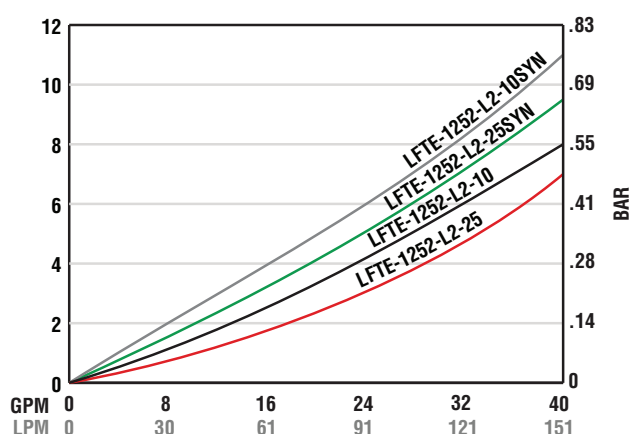
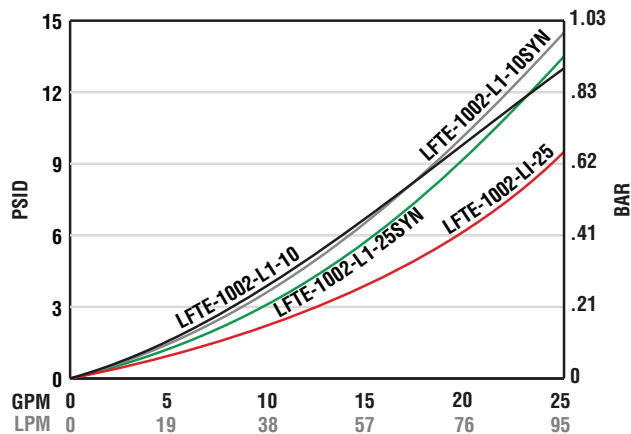
- NPT or SAE ports
- 10, 25 micron cellulose, synthetic elements
- Nylon thread on cover
- Visual or electrical indicators



LFTB

LFTE

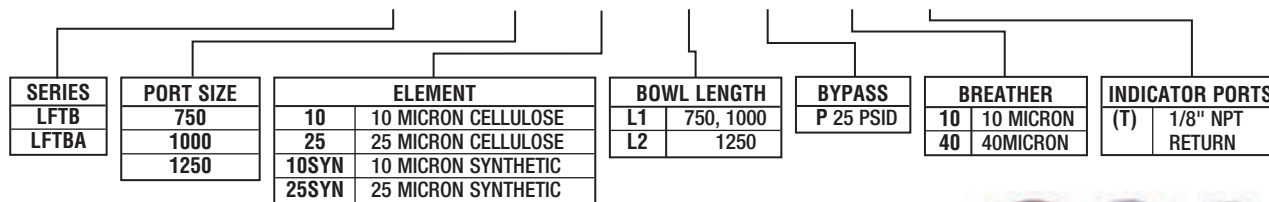




Temperature 100° F Viscosity 150 SUS
Average pressure drop through clean assembly

Ordering Code

LFTB — 750 — 10 — L1 — P — 10 — T



For indicator gauge specifications and ordering information see pages 34a-35a

**Indicators ordered and shipped separately*



Replacement Elements

MODEL NUMBER	MEDIA	IN	CM	B-20/75/200	DIRT HOLDING CAPACITY
LFTE-1002-L1-10	10 MICRON CELLULOSE	511	3300	6μ/8μ/13μ	15
LFTE-1002-L1-25	25 MICRON CELLULOSE	511	3300	25μ/35μ/43μ	20
LFTE-1002-L1-10SYN	10 MICRON SYNTHETIC	372	2400	3μ/5.5μ/12μ	22
LFTE-1002-L1-25SYN	25 MICRON SYNTHETIC	372	2400	7μ/16μ/23μ	26
LFTE-1252-L2-10	10 MICRON CELLULOSE	698	4500	6μ/8μ/13μ	21
LFTE-1252-L2-25	25 MICRON CELLULOSE	698	4500	25μ/35μ/43μ	28
LFTE-1252-L2-10SYN	10 MICRON SYNTHETIC	504	3250	3μ/5.5μ/12μ	30
LFTE-1252-L2-25SYN	25 MICRON SYNTHETIC	504	3250	7μ/16μ/23μ	35

Beta Rating of 2 = 50% Efficiency
Beta Rating of 20 = 95% Efficiency
Beta Rating of 75 = 98.7% Efficiency
Note: 45 P.S.I. Pressure Drop Maximum



In-Tank Filters In-to-Out Flow Disposable Filter Cartridge Type

Return Line Application

Model "TFR" 750, 1000, 1200, 1250, 1500, 2000

- Working pressure 150 PSI (10 bar)
- Operating temperatures -22F to +212 F (-32C to +100 C)
- Flows to 120 GPM, (450 LPM)
- Bypass 25 PSI
- Compatible with mineral oils HH, HL, HM, HR, HV, HG according to ISO 6743/4
- Aluminum casting

Options

- NPT or SAE ports
- 10, 25 micron cellulose, synthetic elements
- 45 PSID bypass
- Visual or electrical indicators
- Magnetic core
- Steel diffuser tube, Zinc plated



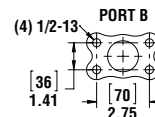
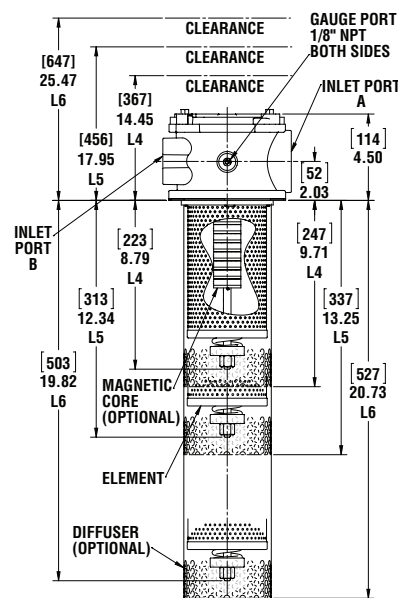
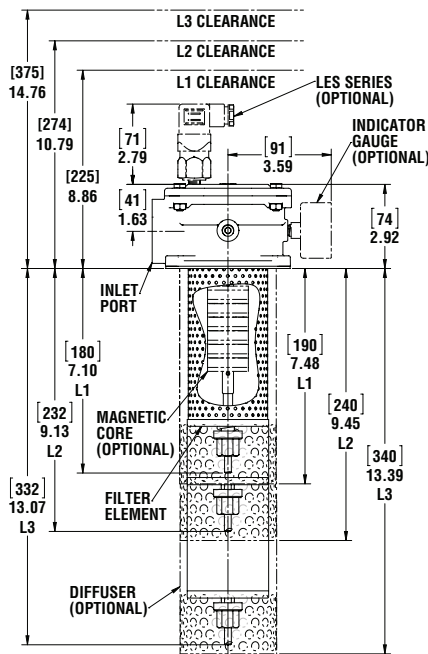
TFR-2-150

TFR 1 Element Length

MODEL NO		C	D
TFR1-L1	IN	7.1	7.9
	MM	180	200
TFR1-L2	IN	9.1	9.8
	MM	230	250
TFR1-L3	IN	13.0	13.8
	MM	330	350

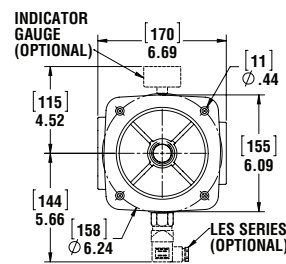
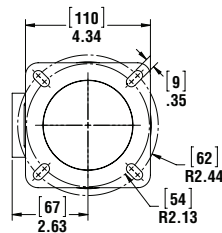
TFR 2 Element Length

MODEL NO		C	D
TFR2-L4	IN	9.3	10.0
	MM	235	255
TFR2-L5	IN	11.8	12.6
	MM	300	320
TFR2-L6	IN	19.9	20.7
	MM	505	525



TFR Port Housing

	INLET A	INLET B
TFR-2-1250	1 1/4" NPT	1 1/2" FLANGE-1 1/4" NPT
TFRA-2-1250	1 5/8"-12 SAE	1 1/2" FLANGE-1 5/8"-12 SAE
	INLET A	INLET B
TFR-2-1500	1 1/2" NPT	1 1/2" FLANGE-1 1/4" NPT
TFRA-2-1500	1 7/8"-12 SAE	1 1/2" FLANGE-1 5/8"-12 SAE
	INLET A	INLET B
TFR-2-2000	2" NPT	1 1/2" FLANGE-1 1/4" NPT
TFRA-2-2000	2 1/2"-12 SAE	1 1/2" FLANGE-1 5/8"-12 SAE

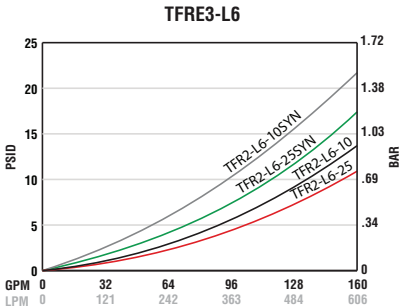
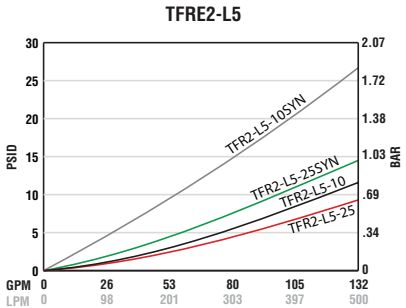
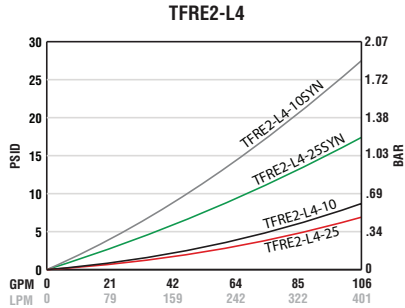
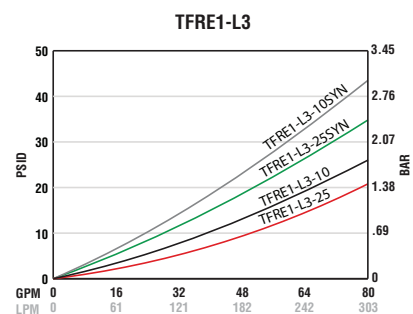
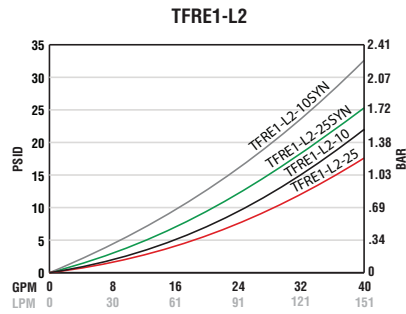
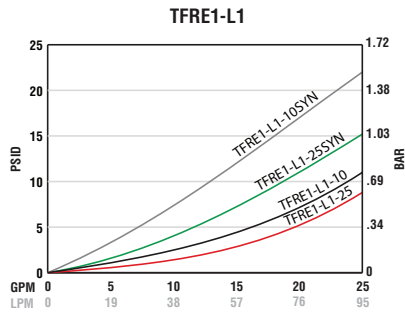


See Technical Bulletin TB.FIL09.708, TB.FIL11.708, TB.FIL20.708, for further information at (Technical Data – www.lenzinc.com)

For indicator gauge specifications and ordering information see pages 34a-35a

**Indicators ordered and shipped separately*

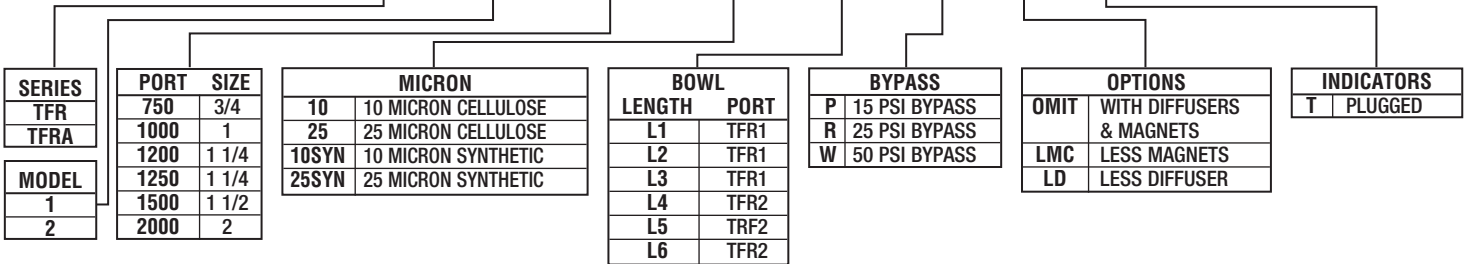




Temperature 100° F Viscosity 150 SUS
Average pressure drop through clean assembly

Assembly Ordering Code

TFR — 2 — 1000 — 10 — L6 — R — — T



Replacement Elements

MODEL NUMBER	MEDIA	IN ²	CM ²	B= 2/20/75	DIRT HOLDING CAPACITY
TFR1E-L1-10	10 MICRON CELLULOSE	279	1800	6μ/8μ/13μ	8
TFR1E-L1-25	25 MICRON CELLULOSE	279	1800	24μ/35μ/43μ	11
TFR1E-L1-10SYN	10 MICRON SYNTHETIC	190	1225	3μ/5.5μ/12μ	11
TFR1E-L1-25SYN	25 MICRON SYNTHETIC	190	1225	7μ/16μ/23μ	13
TFR1E-L2-10	10 MICRON CELLULOSE	403	2600	6μ/8μ/13μ	12
TFR1E-L2-25	25 MICRON CELLULOSE	403	2600	24μ/35μ/43μ	16
TFR1E-L2-10SYN	10 MICRON SYNTHETIC	264	1700	3μ/5.5μ/12μ	16
TFR1E-L2-25SYN	25 MICRON SYNTHETIC	264	1700	7μ/16μ/23μ	19
TFR1E-L3-10	10 MICRON CELLULOSE	589	3800	6μ/8μ/13μ	18
TFR1E-L3-25	25 MICRON CELLULOSE	589	3800	24μ/35μ/43μ	24
TFR1E-L3-10SYN	10 MICRON SYNTHETIC	407	2625	3μ/5.5μ/12μ	24
TFR1E-L3-25SYN	25 MICRON SYNTHETIC	407	2625	7μ/16μ/23μ	28
TFR2E-L4-10	10 MICRON CELLULOSE	496	3200	6μ/8μ/13μ	15
TFR2E-L4-25	25 MICRON CELLULOSE	496	3200	24μ/35μ/43μ	20
TFR2E-L4-10SYN	10 MICRON SYNTHETIC	419	2700	3μ/5.5μ/12μ	25
TFR2E-L4-25SYN	25 MICRON SYNTHETIC	419	2700	7μ/16μ/23μ	29
TFR2E-L5-10	10 MICRON CELLULOSE	713	4600	6μ/8μ/13μ	21
TFR2E-L5-25	25 MICRON CELLULOSE	713	4600	24μ/35μ/43μ	28
TFR2E-L5-10SYN	10 MICRON SYNTHETIC	574	3700	3μ/5.5μ/12μ	34
TFR2E-L5-25SYN	25 MICRON SYNTHETIC	574	3700	7μ/16μ/23μ	40
TFR2E-L6-10	10 MICRON CELLULOSE	1054	6800	6μ/8μ/13μ	32
TFR2E-L6-25	25 MICRON CELLULOSE	1054	6800	24μ/35μ/43μ	42
TFR2E-L6-10SYN	10 MICRON SYNTHETIC	837	5400	3μ/5.5μ/12μ	50
TFR2E-L6-25SYN	25 MICRON SYNTHETIC	837	5400	7μ/16μ /23μ	59

For 25 Micron Synthetic, 74 Micron Mesh, replacement elements consult factory

Beta Rating of 2 = 50% Efficiency
Beta Rating of 20 = 95% Efficiency
Beta Rating of 75 = 98.7% Efficiency
Note: 45 P.S.I. Pressure Drop Maximum



LITB In-Tank Filter / Breather

LITB-20, 40

Specifications

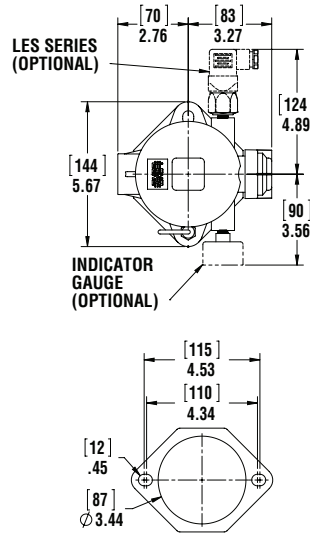
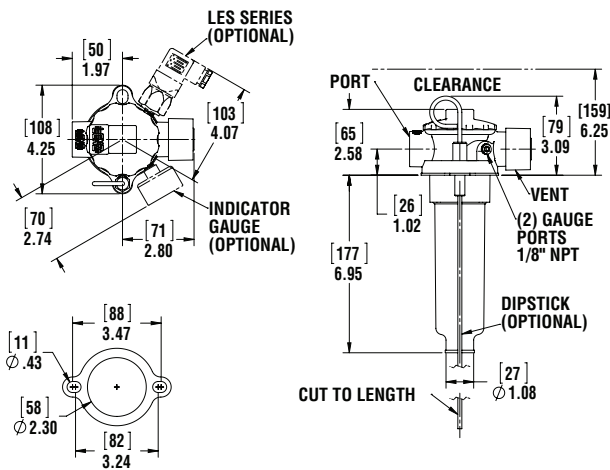
- Working pressure 150 P.S.I. (7 Bar)
- Operating Temperatures -22° F to +212° F (-32° C to +100° C)
- Flows to 40 GPM (150 LPM) Return
- 1/2", 3/4", 1" Ports
- 10 or 40 micron breathers
- Aluminum casting, nylon lid
- Buna Seals
- Compatible with mineral oils HH, HL, HM, HR, HV, HG, water based according to ISO 6743/4
- Three nylon bowl lengths
- 3-10 (lbs.) , 1.4 - 4.5 (kgs.) shipping weight
- 25 P.S.I.D. bypass for return

Options

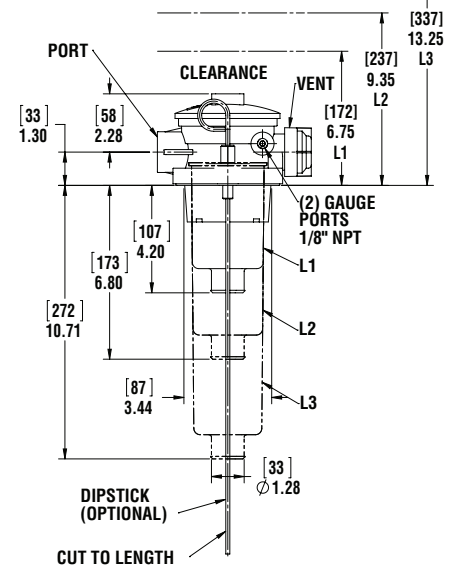
- NPT or SAE Ports
- 6, 10, 25 micron cellulose, synthetic elements
- Visual or electrical indicators
- Dipsticks available



LITB-20



LITB-40



Assembly Ordering Code

LITB-20 — 500 — 10 — 40 — D — T

SERIES	PORT SIZE		MEDIA		BREATHER	OPTIONS	IND. PORTS	INDICATING GAUGES
LITB-20	500	1/2"	10	10 MICRON CELLULOSE	10	D	OMIT	(T) MC-20
LITBA-20	750	3/4"	10 SYN	10 MICRON SYNTHETIC	40	OMIT	T	(T) CP-2
			25	25 MICRON CELLULOSE				(T) CP-2
			25 SYN	25 MICRON SYNTHETIC				(T) LES-P2

NOTE: Indicators Page 34a

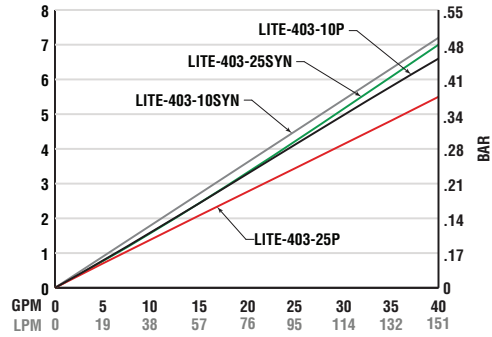
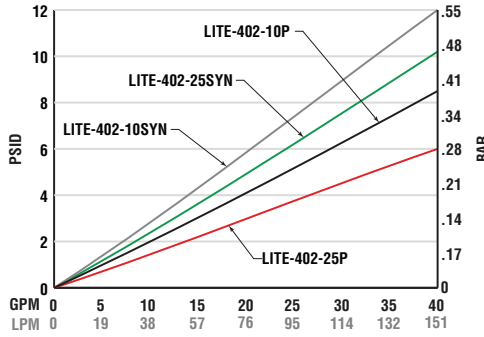
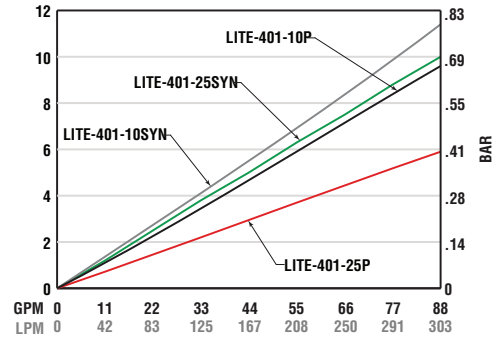
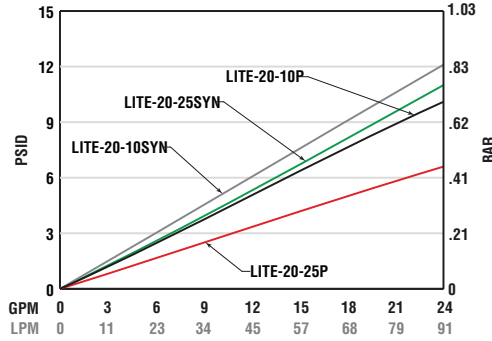
*Indicators ordered and shipped separately

Replacement Elements

ELEMENT	AREA MEDIA	AREA IN	CM	BETA	RATIO
LITE-20-10P	10 MIC. CELLULOSE	135	870	B10	2
LITE-20-10SYN	10 MIC. SYNTHETIC	110	710	B10	75

ELEMENT	AREA MEDIA	AREA IN	CM	BETA	RATIO
LITE-20-25P	25 MIC. CELLULOSE	110	710	B25	75
LITE-20-25SYN	25 MIC. SYNTHETIC	135	870	B25	2

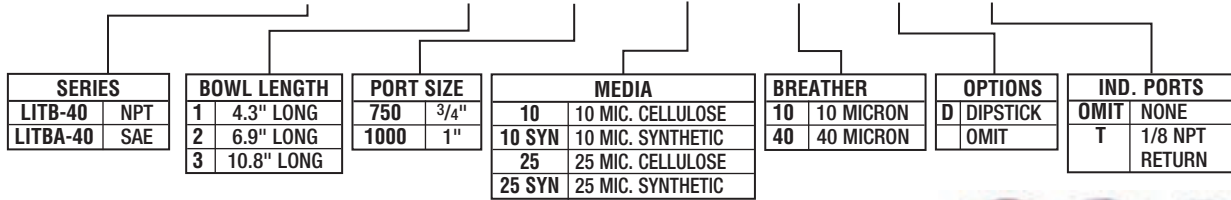
See Technical Bulletin TB.FIL09.708, TB.FIL11.708, TB.FIL20.708, TB.FIL22.708, for further information at (Technical Data – www.lenzinc.com)



Temperature 100° F Viscosity 150 SUS
Average pressure drop through clean assembly

Assembly Ordering Code

LITB-40 — 1 — 750 — 10 — 40 — D — T



For indicator gauge specifications and ordering information see pages 34a-35a

**Indicators ordered and shipped separately*



Replacement Elements

	ELEMENT NUMBER	MEDIA	IN	CM	B= 2/20/75	DIRT HOLDING
4.3" BOWL LENGTH	LITE-20-10	10 MICRON CELLULOSE	190	1226	9μ/22μ/24μ	6
	LITE-20-25	25 MICRON CELLULOSE	190	1226	29μ/46μ/54μ	8
	LITE-20-10SYN	10 MICRON SYNTHETIC	167	1077	4μ/10μ/12μ	10
	LITE-20-25SYN	25 MICRON SYNTHETIC	167	1077	8μ/25μ/32μ	12
6.9" BOWL LENGTH	LITE-401-10	10 MICRON CELLULOSE	242	1561	9μ/22μ/24μ	7
	LITE-401-25	25 MICRON CELLULOSE	242	1561	29μ/46μ/54μ	10
	LITE-401-10SYN	10 MICRON SYNTHETIC	164	1058	4μ/10μ/12μ	10
	LITE-401-25SYN	25 MICRON SYNTHETIC	164	1058	8μ/25μ/32μ	12
10.8" BOWL LENGTH	LITE-402-10	10 MICRON CELLULOSE	367	2368	9μ/22μ/24μ	11
	LITE-402-25	25 MICRON CELLULOSE	367	2368	29μ/46μ/54μ	15
	LITE-402-10SYN	10 MICRON SYNTHETIC	249	1607	4μ/10μ/12μ	15
	LITE-402-25SYN	25 MICRON SYNTHETIC	249	1607	8μ/25μ/32μ	17
	LITE-403-10	10 MICRON CELLULOSE	606	3910	9μ/22μ/24μ	18
	LITE-403-25	25 MICRON CELLULOSE	606	3910	29μ/46μ/54μ	24
	LITE-403-10SYN	10 MICRON SYNTHETIC	424	2736	4μ/10μ/12μ	25
	LITE-403-25SYN	25 MICRON SYNTHETIC	424	2736	8μ/25μ/32μ	30

Beta Rating of 2 = 50% Efficiency

Beta Rating of 20 = 95% Efficiency

Beta Rating of 75 = 98.7% Efficiency

Note: 45 P.S.I. Pressure Drop Maximum



Disposable Filter Cartridge Type Suction or Return Line Filter Assembly Model "TMR-TMS" Series

- Tank or line mounted.
- 5 sizes-flows to 185 GPM (700 LPM).
- By-pass standard. Return: 25 PSI Suction: 3 PSI
- Aluminium die cast construction.
- Working pressure to 300 PSI (21 bar)
- Buna seals.
- Operating temperatures -22° F to +212° F (-32° C to +100° C)
- Compatible with mineral oils HH, HL, HM, HR, HV, HG, water according to ISO 6743/4
- Visual or electrical indicators
- Magnet on lid



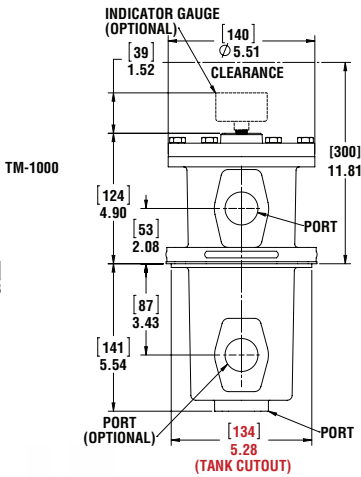
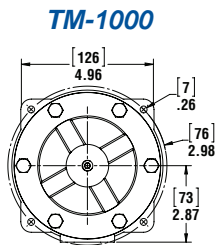
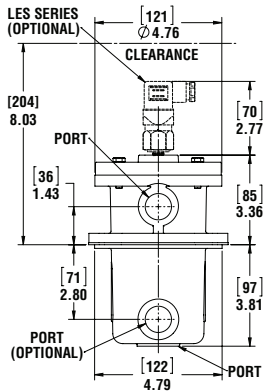
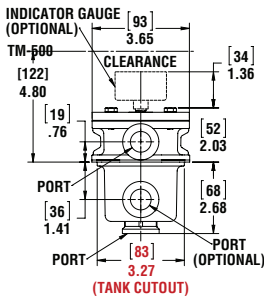
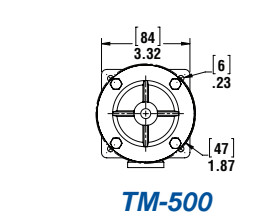
TM*-2500



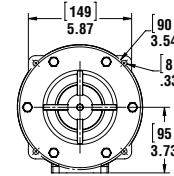
TMR*-1000



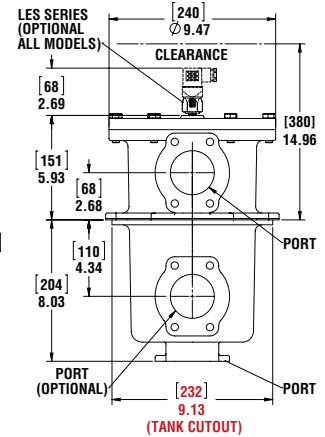
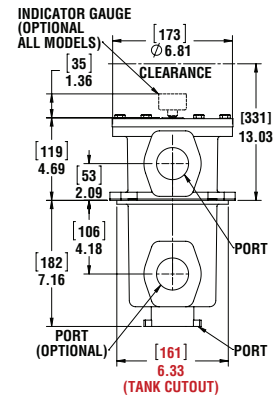
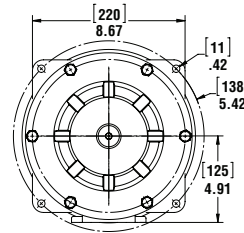
TME



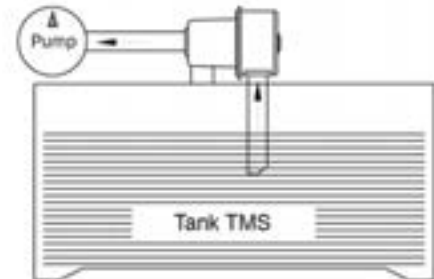
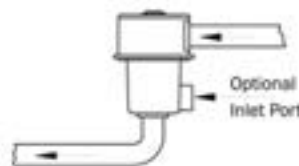
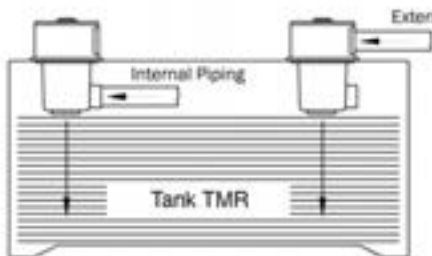
TM-1500



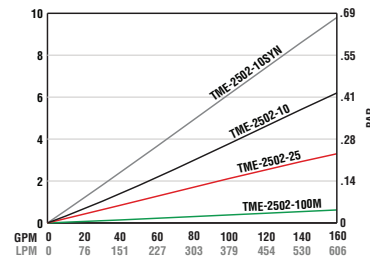
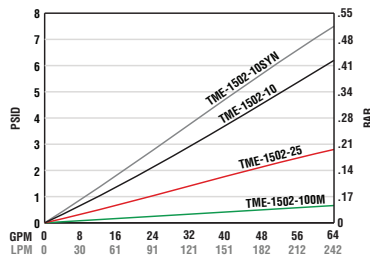
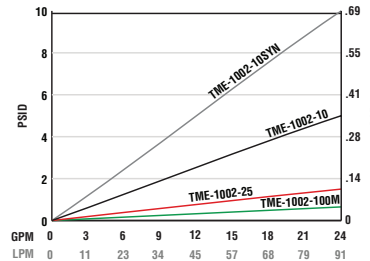
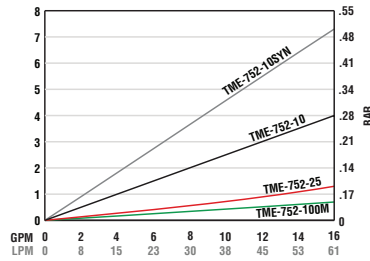
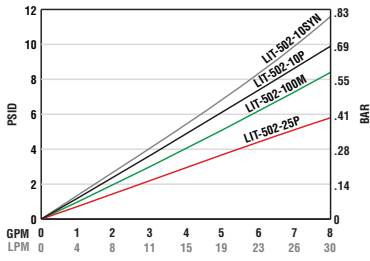
TM-2000



Bolt circles are radius



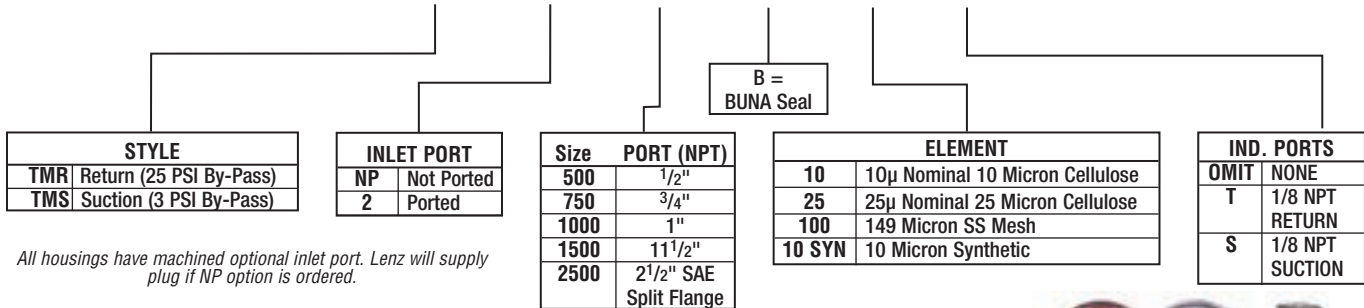
See Technical Bulletin TB.FIL09.708, TB.FIL11.708, TB.FIL20.708, for further information at (Technical Data – www.lenzinc.com)



Temperature 100° F
Viscosity 150 SUS
Average pressure drop
through clean assembly

Assembly Ordering Code

TMR — 2 — 500 — B — 10 — T



All housings have machined optional inlet port. Lenz will supply plug if NP option is ordered.

For indicator gauge specifications and ordering information see pages 34a-35a

**Indicators ordered and shipped separately*



Replacement Elements

FILTER MODEL	ELEMENT NUMBER	MEDIA	IN	CM	B= 2/20/75	DIRT HOLDING CAPACITY
TM*-500	LIT-502-10P	10 MICRON CELLULOSE	110	710	6µ/8µ/13µ	3
	LIT-502-25P	25 MICRON CELLULOSE	110	710	24µ/35µ/43µ	4
	LIT-502-10SYN	10 MICRON SYNTHETIC	77	500	3µ/5.5µ/12µ	4
	LIT-502-100M	140 MICRON WIRE MESH	50	325	140µ	N/A
TM*-750	TME-752-10	10 MICRON CELLULOSE	271	1748	6µ/8µ/13µ	8
	TME-752-25	25 MICRON CELLULOSE	271	1748	24µ/35µ/43µ	11
	TME-752-10SYN	10 MICRON SYNTHETIC	193	1250	3µ/5.5µ/12µ	12
	TME-752-100M	140 MICRON WIRE MESH	93	600	140µ	N/A
TM*-1000	TME-1002-10	10 MICRON CELLULOSE	410	2645	6µ/8µ/13µ	12
	TME-1002-25	25 MICRON CELLULOSE	410	2645	24µ/35µ/43µ	16
	TME-1002-10SYN	10 MICRON SYNTHETIC	290	1880	3µ/5.5µ/12µ	17
	TME-1002-100M	140 MICRON WIRE MESH	140	903	140µ	N/A
TM*-1500	TME-1502-10	10 MICRON CELLULOSE	1225	7903	6µ/8µ/13µ	37
	TME-1502-25	25 MICRON CELLULOSE	1225	7903	24µ/35µ/43µ	49
	TME-1502-10SYN	10 MICRON SYNTHETIC	847	5500	3µ/5.5µ/12µ	51
	TME-1502-100M	140 MICRON WIRE MESH	340	2200	140µ	N/A
TM*-2500	TME-2502-10	10 MICRON CELLULOSE	2250	14516	6µ/8µ/13µ	68
	TME-2502-25	25 MICRON CELLULOSE	2250	14516	24µ/35µ/43µ	90
	TME-2502-10SYN	10 MICRON SYNTHETIC	1555	101000	3µ/5.5µ/12µ	93
	TME-2502-100M	140 MICRON WIRE MESH	542	3496	140µ	N/A

Beta Rating of 2 = 50% Efficiency
Beta Rating of 20 = 95% Efficiency
Beta Rating of 75 = 98.7% Efficiency
Note: 45 P.S.I. Pressure Drop Maximum

For 25 Micron Synthetic, 74 Micron Mesh, replacement elements consult factory.
Reuse bypass valve when changing elements.



In-Tank Filters Low Profile Filter Cartridge Type

Return Line Application

Model "TIF" 500, 750, 1000, 1250

Specifications

- Working pressure 150 PSI (10 bar)
- Aluminum die cast housing and lid
- Flows to 40 GPM (150 LPM)
- Bypass 25 PSI (1 BAR)
- Elements replaceable through cover
- Suitable for petroleum based fluids
- Max temp 180° F (80 deg C)
- Buna Seals
- Compatible with mineral oils HH, HL, HM, HR, HV, HG, according to ISO 6743/4
- 1/2, 3/4, 1, 1 1/4 Port sizes

Options

- NPT or SAE ports
- 10, 25 micron cellulose, synthetic elements
- Visual or electrical indicators
- Magnet on lid



TIF-500

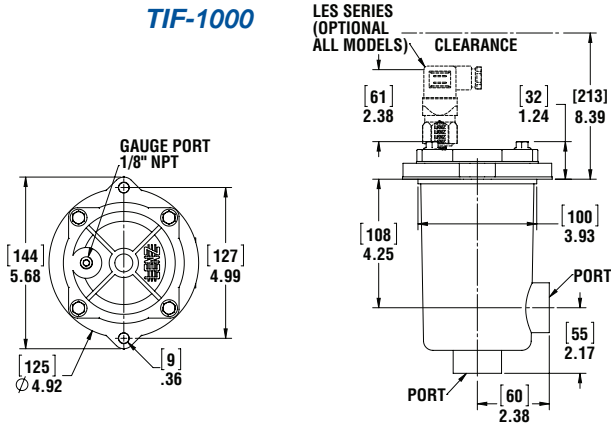


TIF-1000

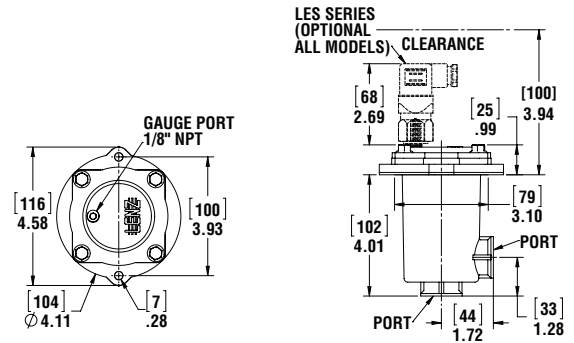


TIE

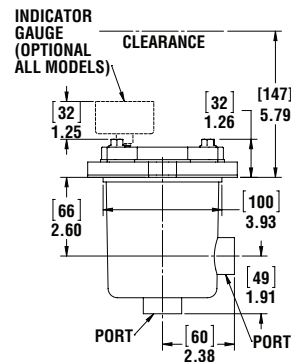
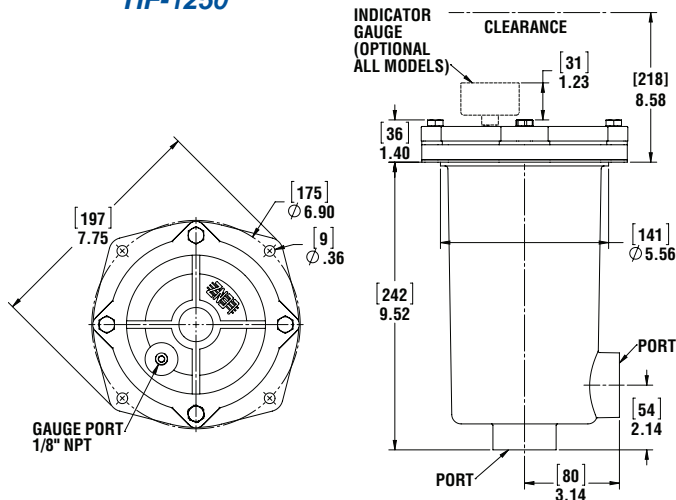
TIF-1000



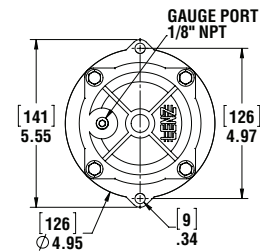
TIF-500



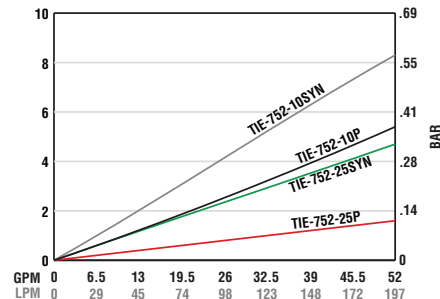
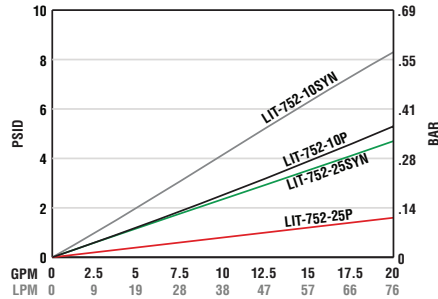
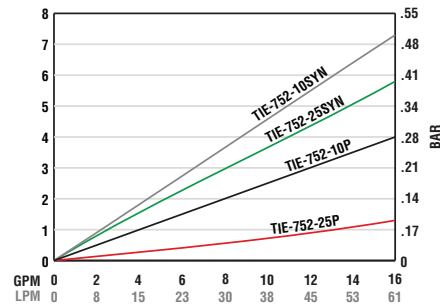
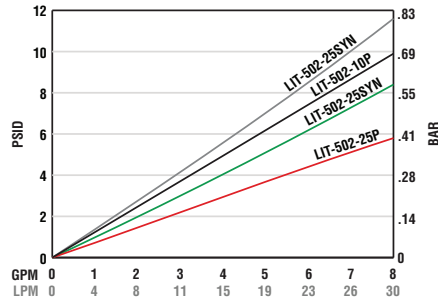
TIF-1250



TIF-750



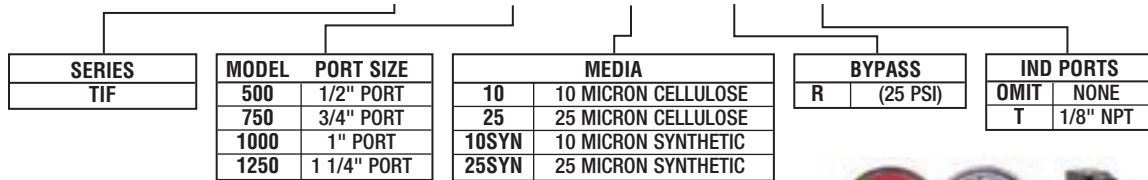
See Technical Bulletin TB.FIL09.708, TB.FIL11.708, TB.FIL20.708, TB.FIL21.708, for further information at (Technical Data – www.lenzinc.com)



Temperature 100° F Viscosity 150 SUS
Average pressure drop through clean assembly

Assembly Ordering Code

TIF — 500 — 10 — R — T



For indicator gauge specifications and ordering information see pages 34a-35a

**Indicators ordered and shipped separately*



Replacement Elements

MODEL NUMBER	ELEMENT NUMBER	MEDIA	IN ²	CM ²	B(X)=2/20/75	DIRT HOLDING CAPACITY
TIF-500	LIT-502-10P	10 MICRON CELLULOSE	110	710	6μ/8μ/13μ	3
	LIT-502-25P	25 MICRON CELLULOSE	110	710	24μ/35μ/43μ	4
	LIT-502-10SYN	10 MICRON SYNTHETIC	78	500	3μ/5.5μ/12μ	4
	LIT-502-25SYN	25 MICRON SYNTHETIC	78	500	7μ/16μ/23μ	6
TIF-750	TIE-752-10P	10 MICRON CELLULOSE	190	1225	6μ/8μ/13μ	6
	TIE-752-25P	25 MICRON CELLULOSE	190	1225	24μ/35μ/43μ	8
	TIE-752-10SYN	10 MICRON SYNTHETIC	135	875	3μ/5.5μ/12μ	8
	TIE-752-25SYN	25 MICRON SYNTHETIC	135	875	7μ/16μ/23μ	9.5
TIF-1000	LIT-752-10P	10 MICRON CELLULOSE	380	2450	6μ/8μ/13μ	11
	LIT-752-25P	25 MICRON CELLULOSE	380	2450	24μ/35μ/43μ	15
	LIT-752-10SYN	10 MICRON SYNTHETIC	271	1750	3μ/5.5μ/12μ	16
	LIT-752-25SYN	25 MICRON SYNTHETIC	271	1750	7μ/16μ/23μ	19
TIF-1250	TIE-1252-10P	10 MICRON CELLULOSE	949	6120	6μ/8μ/13μ	28
	TIE-1252-25P	25 MICRON CELLULOSE	949	6120	24μ/35μ/43μ	38
	TIE-1252-10SYN	10 MICRON SYNTHETIC	667	4300	3μ/5.5μ/12μ	40
	TIE-1252-25SYN	25 MICRON SYNTHETIC	667	4300	7μ/16μ/23μ	47

Beta Rating of 2 = 50% Efficiency
Beta Rating of 20 = 95% Efficiency
Beta Rating of 75 = 98.7% Efficiency
Note: 45 P.S.I. Pressure Drop Maximum



2" Diameter Filter Indicating Gauges



MC-12
Return Line Indicating Gauge
for 15 P.S.I. Filter Applications
2" Multi color
0-12 P.S.I. Green
12-15 P.S.I. Yellow
15-60 P.S.I. Red (Service Filter)
(To be used with "T" Indicator Port Location)



MC-20
Return Line Indicating Gauge
for 25 P.S.I. Filter Applications
2" Multi color
0-20 P.S.I. Green
21-24 P.S.I. Yellow
25-60 P.S.I. Red (Service Filter)
(To be used with "T" Indicator Port Location)



CP-2
Compound Indicating Gauge
(Suction or Return Line)
10" to 30" Vacuum is a Red Danger Area.
0-60 PSI
A Red "Change Filter" Sticker for the
Pressure side is included with each gauge
for application after the pressure factor
is determined.
(To be used with "T" or "S" Indicator Port Location)



GLY-MC-20
Glycerin Filled
Return Line Indicating Gauge
for 25 P.S.I. Filter Applications
2" Multi color
0-20 P.S.I. Green
21-24 P.S.I. Yellow
25-60 P.S.I. Red (Service Filter)
(To be used with "T" Indicator Port Location)



135080
Suction Line Indicating Gauge for
5 P.S.I. vacuum filter application
2" Multi color
0-9" HG Green
9-11" HG Yellow
11-30" HG Red (Service Filter)
(To be used with "S" Indicator Port Location)



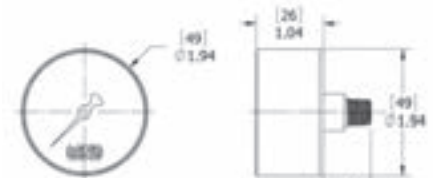
VAC-3-20
Suction Line Indicating Gauge
for 3 P.S.I. vacuum filter applications
2" Multi color
0-3" HG Green
4-6" HG Yellow
6-30" HG Red (Service Filter)
(To be used with "S" Indicator Port Location)



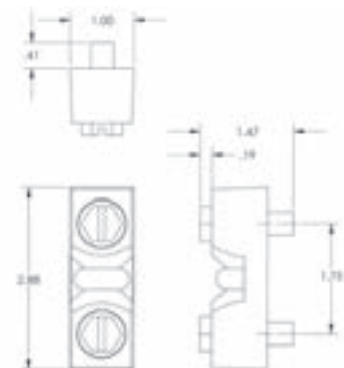
Differential Indicator DP-75

Simple differential sliding
indicator which changes from
green to red at 7 P.S.I.D.
0 - 7 P.S.I.D. Green Clean
7 - 10 P.S.I.D. Red Service Filter
CP Series (500, 750, 1010, 1280,
1580)

**Indicators ordered and shipped separately*



DIAL INDICATOR



DP-75



Electrical Filter Indicators

Field Adjustable

Specifications:

- 1/8 NPT connection
- 3 AMP 12/24 VDC, 125/250 VAC IP67
- +/- 2% repeatability of full set point range @ 70° F
- Operating temperature 40°F to +250°F (-40°C to 121°C)
- 1,000,000 cycles mechanical range
- Maximum pressure 500 (25 BAR) PSI
- Steel housing, zinc plated
- Buna N diaphragm
- SPDT snap action switch

Options:

- EPDM seals -10°F – 250°F (-23°C – 121°C)
- Viton seals 0 – 250°F (-18°C – 121°C)
- Flying leads

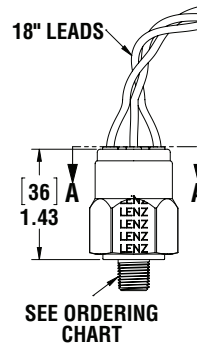
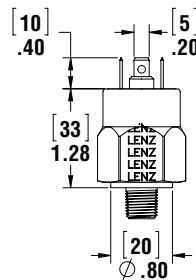
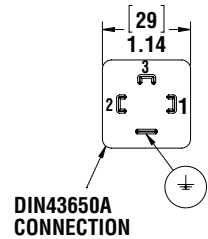
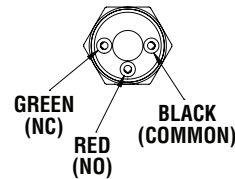
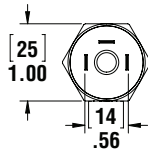


LES-FL

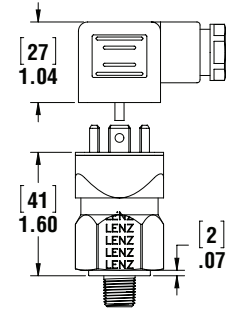


LES-HC

MODEL	ADJUSTMENT RANGE	AVERAGE DIFFERENTIAL	SET PRESSURE
P1	3-20 PSI (.2-1.4 BAR)	2-5 PSI (.13-0.4 BAR)	15 PSI
P2	15-80 PSI (1.03-6 BAR)	4-7 PSI (.27-0.5 BAR)	22 PSI
V1	5-28 IN Hg (160-948mb)	2-4 INHg (67-135mb)	5 Hg



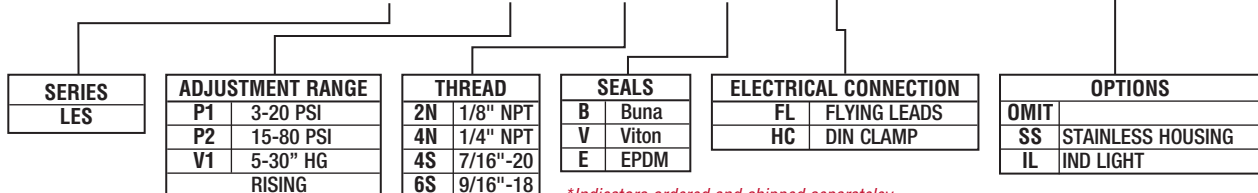
LES-FL



LES-HC

Switch Ordering Code

LES — P1 — 2N — B — HC —



**Indicators ordered and shipped separately*

Switch can be used in AC or DC Service.
For other options consult factory.
Switch does not indicate differential pressure

See Technical Bulletin TB.FIL23.912, or further information at
(Technical Data – www.lenzinc.com)



Sump Strainers

49 Steel Nuts / N49 Nylon Nuts

Plated Steel Hex, Nylon Hex:
In a full range of NPT sizes, 3/4" thru 6".

Steel Support Tube:
Provides rigidity, permits easy cleaning and better flow.

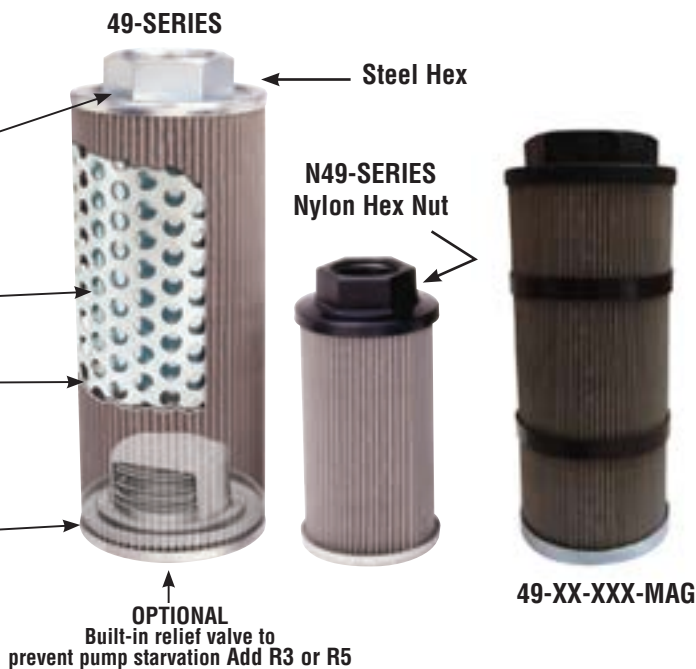
Pleated, Reusable Stainless Wire Cloth:
Keeps its shape and allows better flow. For use with hydraulic fluids, oils, coolants, cutting oils and lubricants. Excellent for mobile equipment. Easily cleaned. Choice of 30, 60, 100 or 200 mesh. See Ordering Code.

Plated Steel Cap End:
Epoxy-bonded for one-piece construction.

Trouble-Free Positive Protection:
All metal, nickel plated construction. No organic elements to deteriorate. These smooth, one-piece, epoxy-bonded units are carefully and compactly constructed with quality materials throughout. They assure trouble-free, positive protection for the entire system. Excellent for mobile equipment.

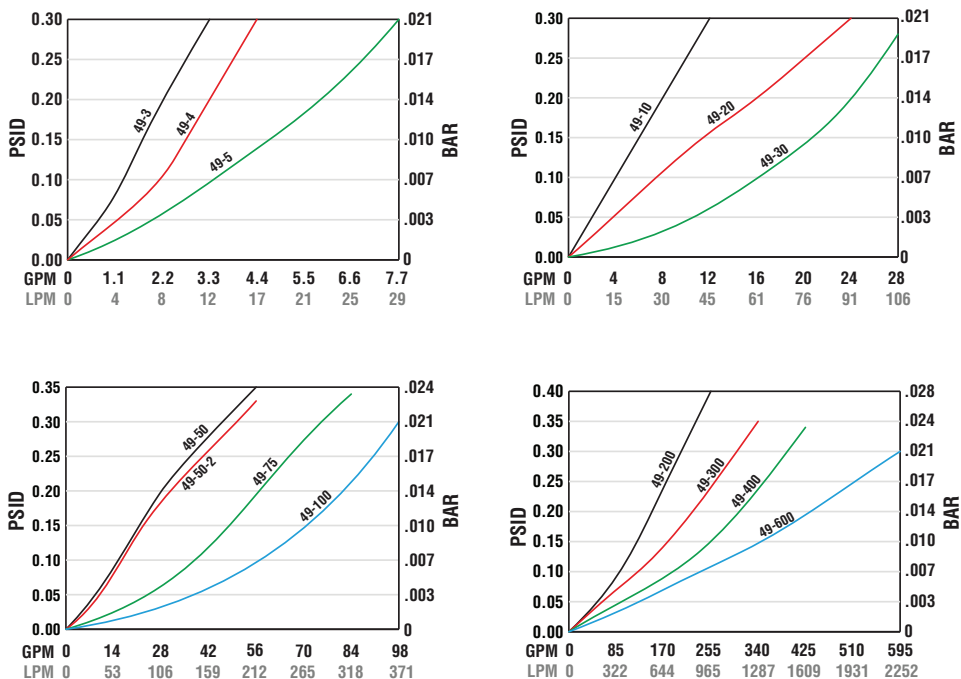
Easily Installed and Cleaned:
Easily removed and cleaned with gasoline and similar solvents.

Operating Temperature
15F° (-9 C) to 212 F° (100C)



OPTIONAL:
Bypass Valves
3 P.S.I./ 6" HG / 5 P.S.I./ 10" HG \pm 10%
Magnetic Bands
Optional magnets are available

49 Series Performance Graphs



Temperature 100° F Viscosity 150 SUS
Average pressure drop through clean strainer

See Technical Bulletin TB.FIL17.708, TB.FIL19.708, or further information at (Technical Data – www.lenzinc.com)



Strainer Ordering Code

49 — 20 — R3 — 100 — MAG

SERIES
49
N49

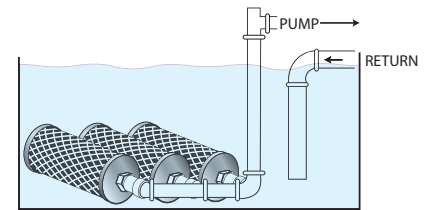
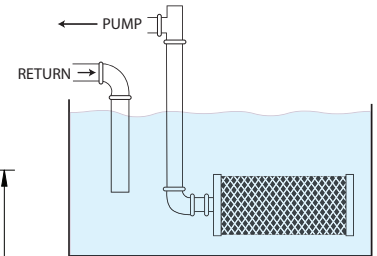
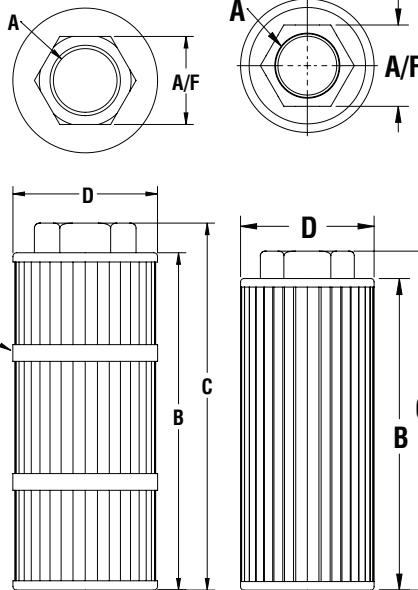
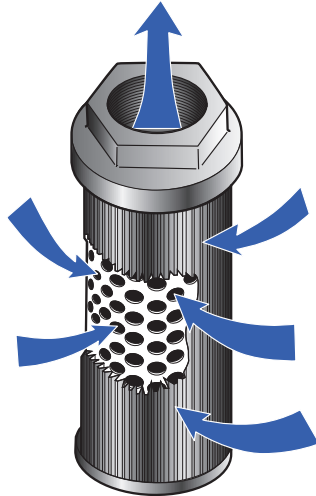
FLOW	SIZE
3	3/8" NPT
4	1/2" NPT
5	3/4" NPT
10	1" NPT
20	1 1/4" NPT
30	1 1/2" NPT
50	1 1/2" NPT
50-2	2" NPT
75	2 1/2" NPT
100	3" NPT
*200	4" NPT
*300	4" NPT
*400	4" NPT
*600	4" NPT

BYPASS	
OMIT	NO BYPASS
R3	3 PSI BYPASS
R5	5 PSI BYPASS

MESH	
100	100 MESH (STANDARD)
30	30 MESH
60	60 MESH
200	200 MESH

OPTIONS	
OMIT	
MAG	MAGNETS

*Not available nylon aluminum nuts. Consult Factory for BSP Threads



Dimensional Details

MODEL STEEL	MODEL NYLON	FLOW		A PORT	B	C	D	AREA IN ² (CM ₂)	A/F	OPTIONAL MAGNET	
										QUANTITY	PART#
49-3	N49-3	3 GPM	IN	3/8"	1.2	2.5	1.9	34	1	1	1.9-100
		11 LPM	MM		30.4	63.5	48.3	(219.3)	25		
49-4	N49-4	5 GPM	IN	1/2"	1.9	3.1	2.6	62	1.2	1	4-10
		20 LPM	MM		48.2	78.7	66	(399.9)	30		
49-5	N49-5	8 GPM	IN	3/4"	2.9	3.6	2.6	88	1.5	2	4-10
		30 LPM	MM		73.7	91.4	66	(567)	38		
49-10	N49-10	10 GPM	IN	1"	4.6	5.4	2.6	110	1.6	2	4-10
		40 LPM	MM		116.8	137.2	66	709.5)	41		
49-20	N49-20	20 GPM	IN	1 1/4"	6.1	6.9	3.3	162	2.0	2	3.4-100
		80 LPM	MM		154.9	175.3	83.8	(1044.9)	50		
49-30	N49-30	30 GPM	IN	1 1/2"	7.2	8	3.3	225	2.2	2	3.4-100
		120 LPM	MM		182.9	203.2	83.8	(1451.3)	55		
49-50	N49-50	50 GPM	IN	1 1/2"	9.1	9.9	3.9	340	2.2	2	30-50
		200 LPM	MM		231.1	251.5	99.1	(2193)	55		
49-50-2	N49-50-2	50 GPM	IN	2"	9.1	9.9	3.9	340	2.6	2	30-50
		200 LPM	MM		231.1	251.5	99.1	(2193)	65		
49-75	N49-75	75 GPM	IN	2 1/2"	9.1	10.1	5.1	400	3.4	3	5-100
		285 LPM	MM		231.1	256.5	129.5	(2580)	85		
49-100	N49-100	100 GPM	IN	3"	10.4	11.8	5.1	500	3.9	3	5-100
		380 LPM	MM		264.2	299.7	129.5	(3225)	100		
49-200	N/A	200 GPM	IN	4"	8.6	11.6	7.9	965	4.9	4	8-100
		800 LPM	MM		220	295	200	(6225)	125		
49-300	N/A	300 GPM	IN	4"	12	15	7.9	1370	4.9	4	8-100
		1200 LPM	MM		306	381	200	(8840)	125		
49-400	N/A	400 GPM	IN	4"	15.2	18.2	7.9	1740	4.9	4	8-100
		1600 LPM	MM		387	462	200	(11,225)	125		
49-600	N/A	600 GPM	IN	4"	13.4	24.2	7.9	2430	4.9	4	8-100
		2400 LPM	MM		340	615	200	(15,675)	125		

200, 300, 400, 600 are couplings not hex nuts



Sump Strainers

48 Series Male Thread

1-2. Steel Hex Pipe Nipple:

In a full range of NPT sizes, 3/8" thru 3". Welded on.

3. Steel Support Tube:

Provides rigidity, permits easy cleaning and better flow.

4. Pleated, Reusable Stainless Wire Cloth:

Keeps its shape and allows better flow. For use with hydraulic fluids, oils, coolants, cutting oils and lubricants. Excellent for mobile equipment. Easily cleaned. Choice of 30, 60, 100 or 200 mesh. See Ordering Code.

5. Plated Steel Cap End:

Epoxy-bonded for one-piece construction.

Trouble-Free Positive Protection:

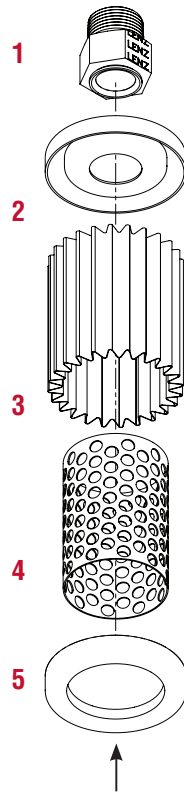
No organic elements to deteriorate. These smooth, one-piece, epoxy-bonded units are carefully and compactly constructed with quality materials throughout. They assure trouble-free, positive protection for the entire system. Excellent for mobile equipment.

Easily Installed and Cleaned:

Easily removed and cleaned with gasoline and similar solvents.

Operating Temperature

15F° (-9 C) to 212 F° (100C)



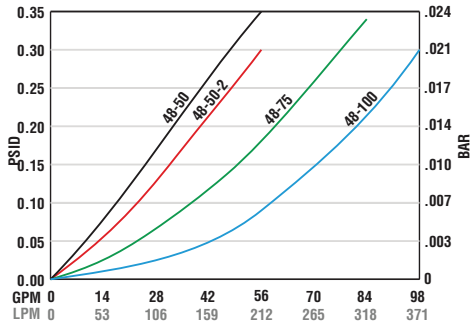
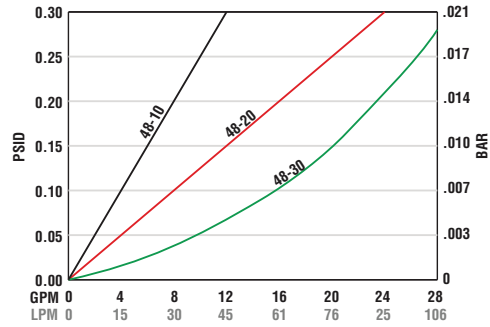
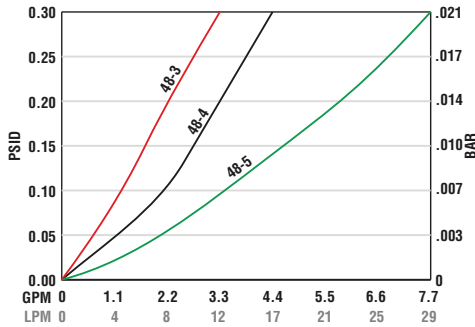
OPTIONAL
Built-in relief valve to prevent pump starvation
Add R3 or R5

48-XX-XXX-MAG

OPTIONAL:
Bypass Valves
3 P.S.I./ 6" HG 5 P.S.I./ 10" HG ± 10%

Magnetic Bands
Optional magnets are available

48 Series Performance Graphs



Temperature 100° F Viscosity 150 SUS
Average pressure drop through clean strainer

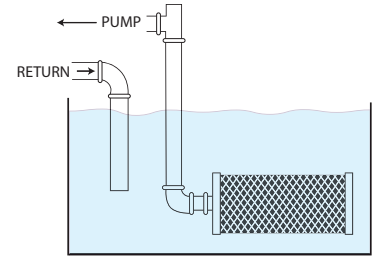
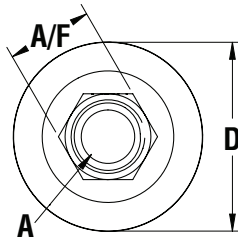
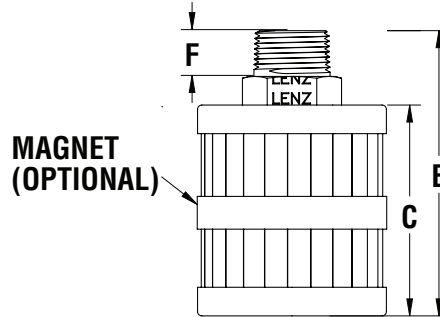
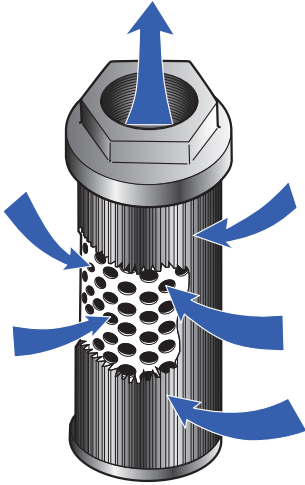
See Technical Bulletin TB.FIL17.708, TB.FIL19.708, or further information at (Technical Data – www.lenzinc.com)



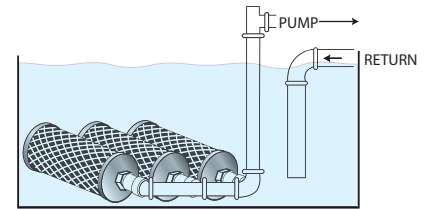
Strainer Ordering Code

48 — 20 — R3 — 100 — MAG

SERIES 48	FLOW 3 4 5 10 20 30 50 50-2 75 100	SIZE 3/8" NPT 1/2" NPT 3/4" NPT 1" NPT 1 1/4" NPT 1 1/2" NPT 1 1/2" NPT 2" NPT 2 1/2" NPT 3" NPT	BYPASS OMIT NO BYPASS R3 3 PSI BYPASS R5 5 PSI BYPASS	MESH 100 100 MESH (STANDARD) 30 30 MESH 60 60 MESH 200 200 MESH	OPTIONS OMIT MAG MAGNETS
---------------------	---	---	---	--	---------------------------------------



Typical Single Unit Installation



Typical Multiple Unit Installation

Dimensional Details

MODEL	FLOW GPM / LPM	NPT PORT A	C	D	E	F	HEX DIA A/F	AREA IN ² CM ²	OPTIONAL MAGNET	
									QUANTITY	PART#
48-3	3 GPM	IN 3/8	1.2	2.0	2.2	0.6	1.0	34	1	1.9-100
	11 LPM	MM	30	52	56.4	16	25.4	(219)		
48-4	5 GPM	IN 1/2	1.9	2.6	2.9	0.6	1.0	62	1	4-10
	20 LPM	MM	48	66	74	16	25.4	(400)		
48-5	8 GPM	IN 3/4	2.9	2.6	3.9	0.6	1.2	86	2	4-10
	30 LPM	MM	74	66	99.7	16	30	(555)		
48-10	10 GPM	IN 1	4.6	2.6	5.6	0.6	1.5	110	2	4-10
	40 LPM	MM	117	66	142.8	16	38	(710)		
48-20	20 GPM	IN 1 1/4	6.1	3.3	7.4	0.8	2.2	162	2	3.4-100
	80 LPM	MM	155	85	189	21.5	55	(1045)		
48-30	30 GPM	IN 1 1/2	7.2	3.9	8.8	0.9	2.2	225	2	30-50
	120 LPM	MM	183	100	222.9	23	55	(1452)		
48-50	50 GPM	IN 1 1/2	9.1	3.9	10.7	0.9	2.2	340	2	30-50
	200 LPM	MM	231	100	271	23	55	(2193)		
48-50-2	50 GPM	IN 2	9.1	3.9	10.7	0.9	2.6	340	2	30-50
	200 LPM	MM	231	100	271.1	23	65	(2193)		
48-75	75 GPM	IN 2 1/2	9.1	5.1	10.9	1.2	3.3	400	3	5-100
	285 LPM	MM	231	130	277	30	85	(2581)		
48-100	100 GPM	IN 3	10.4	5.1	12.2	1.2	3.9	500	3	5-100
	380 LPM	MM	264	130	310	30	100	(3226)		



Sump Strainers

A49 Aluminum Nuts

Aluminum Hex Pipe Nut Coupling:
In a full range of NPT sizes, 3/8" thru 6". Welded on.

Steel Support Tube:
Provides rigidity, permits easy cleaning and better flow.

Pleated, Reusable Stainless Wire Cloth:
Keeps its shape and allows better flow. For use with hydraulic fluids, oils, coolants, cutting oils and lubricants. Excellent for mobile equipment. Easily cleaned. Choice of 30, 60, 100 or 200 mesh. See Ordering Code.

Plated Steel Cap End:
Epoxy-bonded for one-piece construction.

Trouble-Free Positive Protection:
No organic elements to deteriorate. These smooth, one-piece, epoxy-bonded units are carefully and compactly constructed with quality materials throughout. They assure trouble-free, positive protection for the entire system. Excellent for mobile equipment.

Easily Installed and Cleaned:
Easily removed and cleaned with gasoline and similar solvents.

OPTIONAL:
Bypass Valves
3 P.S.I./ 6" HG ± 10% / 5 P.S.I./ 10" HG ± 10%

Operating Temperature
15F° (-9 C) to 212 F° (100C)

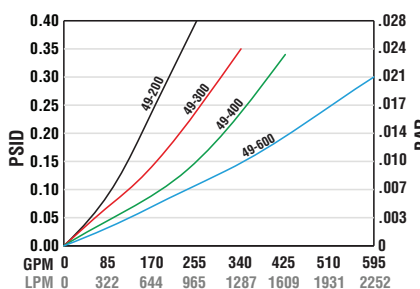
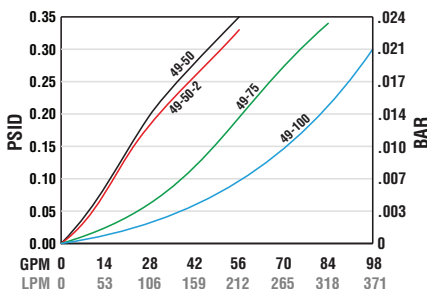
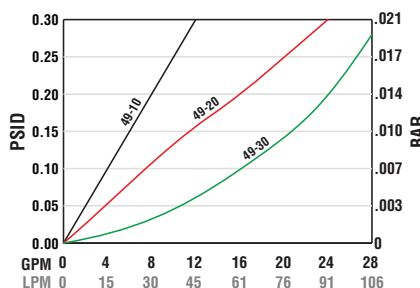
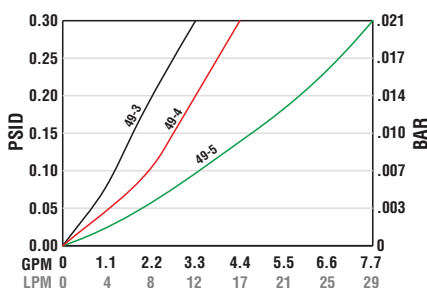
Magnetic Bands
Optional magnets are available



A49-XX-XXX-MAG

OPTIONAL
Built-in relief valve to prevent pump starvation
Add R3 or R5

49 Series Performance Graphs



Temperature 100° F Viscosity 150 SUS
Average pressure drop through clean strainer

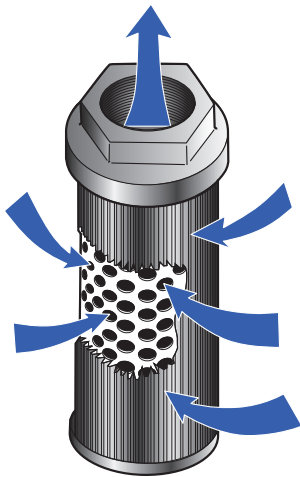
See Technical Bulletin TB.FIL17.708, TB.FIL19.708, or further information at (Technical Data – www.lenzinc.com)



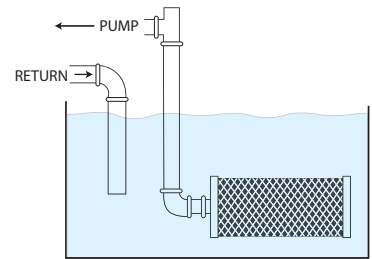
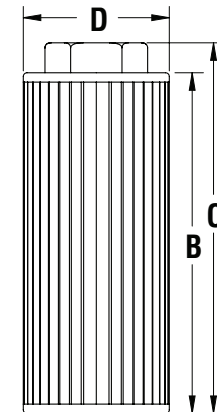
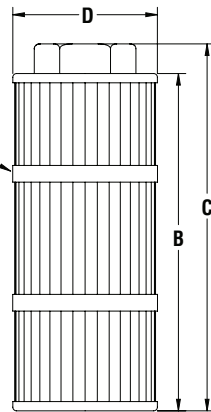
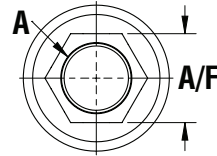
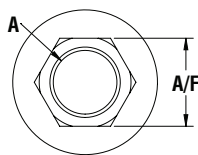
Strainer Ordering Code

A49 — 20 — R3 — 100 — MAG

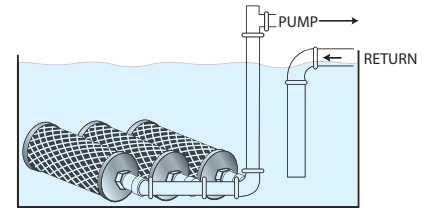
SERIES A49	FLOW SIZE	BYPASS	MESH	OPTIONS
	2 1/4" NPT	OMIT NO BYPASS	100 100 MESH (STANDARD)	OMIT
	3 3/8" NPT	R3 3 PSI BYPASS	30 30 MESH	MAG MAGNETS
	5 1/2" NPT	R5 5 PSI BYPASS	60 60 MESH	
	8 3/4" NPT		200 200 MESH	
	10 1" NPT			
	20 1 1/4" NPT			
	30 1 1/2" NPT			
	50 1 1/2" NPT			
	50-2 2" NPT			
	75 2 1/2" NPT			
	100 3" NPT			
	150 3" NPT			
	450 6" NPT			



MAGNET (OPTIONAL)



Typical Single Unit Installation



Typical Multiple Unit Installation

Dimensional Details

FLOW MODEL	GPM / LPM	NPT PORT	A	B	C	D	HEX A/F	AREA IN ² / (CM) ²	OPTIONAL MAGNET	
									QUANTITY	PART#
A49-2	2 GPM 8 LPM	IN MM	1/4	3.1 77	3.5 90	1.8 46	0.9 24	29 (187)	1	1.9-100
A49-3	3 GPM 11LPM	IN MM	3/8	3.1 77	3.5 90	1.8 46	0.9 24	29 (187)	1	1.9-100
A49-5	5 GPM 20 LPM	IN MM	1/2	3.7 94	4.1 105	1.8 46	1.2 30	35 (226)	2	1.9-100
A49-8	8GPM 30 LPM	IN MM	3/4	3.7 94	4.3 109	2.5 64	1.4 35	63 (406)	2	2.5-100
A49-10	10 GPM 40 LPM	IN MM	1	4.9 124	5.5 139	2.5 64	1.8 46	84 (542)	2	2.5-100
A49-20	20 GPM 80 LPM	IN MM	1 1/4	4.9 125	5.5 139	3.4 86	2 51	144 (929)	2	3.2-100
A49-30	30 GPM 120 LPM	IN MM	1 1/2	6.1 154	6.6 168	3.4 86	2.4 60	180 (1161)	2	3.2-100
A49-50	50 GPM 200 LPM	IN MM	1 1/2	7.3 186	7.9 200	3.4 86	2.4 60	216 (1393)	2	32.-100
A49-50-2	50 GPM 200 LPM	IN MM	2	9.6 245	10.2 260	3.9 100	2.8 70	315 (2032)	2	3.8-100
A49-75	75 GPM 285 LPM	IN MM	2 1/2	7.3 186	8.31 211	5.91 150	3.54 90	432 (2787)	3	6-100
A49-100	100 GPM 380 LPM	IN MM	3	9.7 247	10.7 272	5.9 150	3.9 100	570 (3677)	3	6-100
A49-150	150 GPM 600 LPM	IN MM	3	12.6 320	13.6 345	5.9 150	3.9 100	750 (4838)	3	6-100
A49-450	450 GPM 1704 LPM	IN MM	6	18 457	20 510.5	8.0 205	7 177.8	1840 (11870)	4	8-100



AN-WM Weld Adapter
See page 50a



Sump Strainers - Water

WN-49-SS

Nylon Hex: NPT sizes, 2" thru 3".

Stainless Steel Support Tube:
Provides rigidity, permits easy cleaning and better flow.

Pleated, Reusable Stainless Wire Cloth:
Keeps its shape and allows better flow. For use with water, hydraulic fluids, oils, coolants, cutting oils and lubricants. Excellent for mobile equipment. Easily cleaned. Choice of 30, 60, 100 or 200 mesh. See Ordering Code.

Nylon Cap End:
Epoxy-bonded for one-piece construction.

Trouble-Free Positive Protection:
No organic elements to deteriorate. These smooth, one-piece, epoxy-bonded units are carefully and compactly constructed with quality materials throughout. They assure trouble-free, positive protection for the entire system.

Easily Installed and Cleaned:
Easily removed and cleaned with gasoline and similar solvents.

OPTIONAL:

For other sizes Consult Factory (made to order).

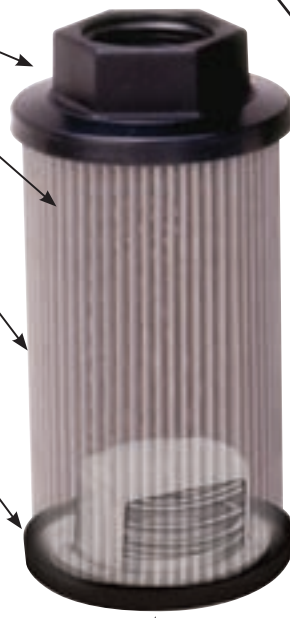
Optional Bypass Valves

3 P.S.I./ 6" HG \pm 10% / 5 P.S.I./ 10" HG \pm 10%

Operating Temperature

15F° (-9 C) to 212 F° (100C)

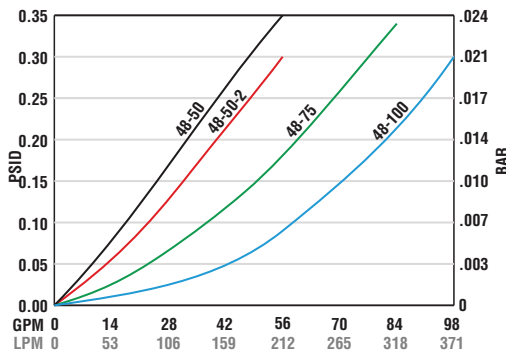
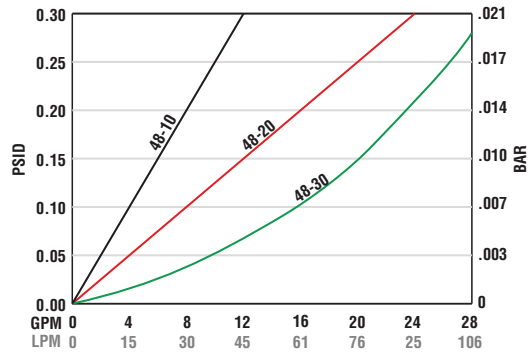
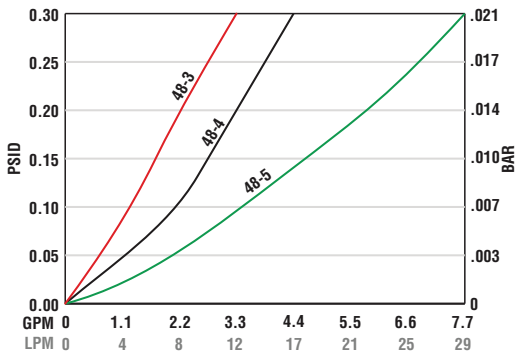
WN-49-SERIES
Nylon Hex Nut
& End Cap



WN-A49-XX-XXX-MAG

OPTIONAL
Built-in relief valve to prevent pump starvation
Add R3 or R5

48 Series Performance Graphs



Temperature 100° F Viscosity 150 SUS
Average pressure drop through clean strainer

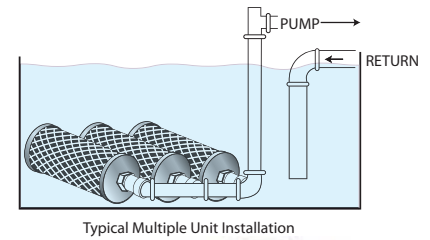
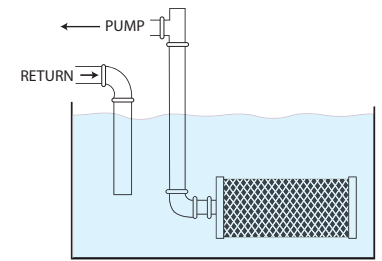
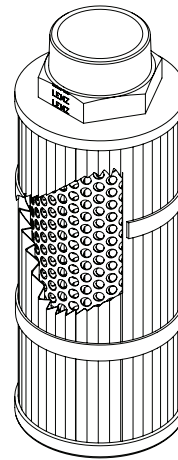
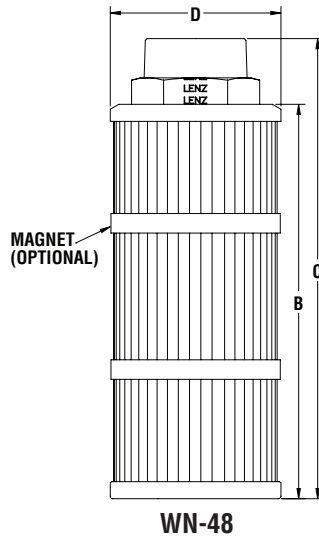
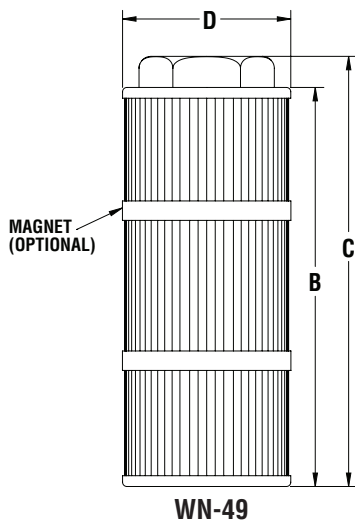
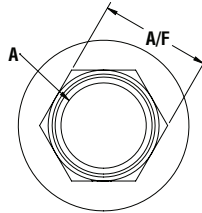
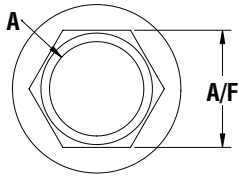
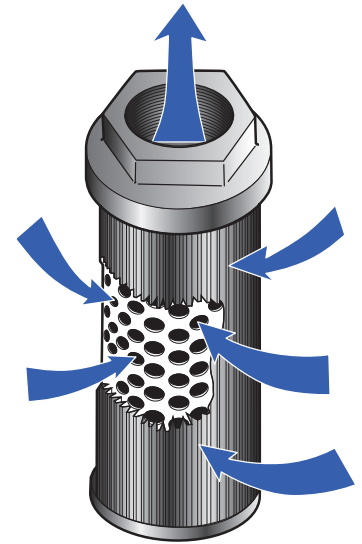
See Technical Bulletin TB.FIL17.708, TB.FIL19.708, or further information at (Technical Data – www.lenzinc.com)



Strainer Ordering Code

WN-49 — 50 — R3 — 100 — SS

SERIES	FLOW	SIZE	BYPASS		MESH	
WN-49	50-2	2" NPT	OMIT	NO BYPASS	100	100 MESH (STANDARD)
	75	2 1/2" NPT	R3	3 PSI BYPASS	30	30 MESH
	100	3" NPT	R5	5 PSI BYPASS	60	60 MESH
					200	200 MESH



WF-SS Weld Flange
See page 48a



Dimensional Details

MODEL NYLON	FLOW		A	B	C	D	AREA IN ² (CM) ²	A/F HEX	OPTIONAL MAGNET	
									QUANTITY	PART#
WN-49-50-2	50 GPM 200 LPM	IN MM	2"	8.6 219.5	10 254	4 102	340 (2193)	2.76 70	2	30-50
WN-49-75	75 GPM 285 LPM	IN MM	2-1/2"	8.5 215.5	10.2 254	5.2 131	400 (2580)	3.35 85	3	5-100
WN-49-100	100 GPM 380 LPM	IN MM	3"	10.1 256.5	11.8 300	5.2 131	500 (3225)	3.74 95	3	5-100
WN-48-50-2	50 GPM 200 LPM	IN MM	2"	9.09 231.1	10.6 269.6	4.02 102	320 (2064)	2.6 65	2	30-50
WN-48-75	75 GPM 285 LPM	IN MM	2-1/2"	9.09 231.1	10.9 276.6	5.2 131	370 (2387)	3.3 85	3	5-100
WN-48-100	100 GPM 380 LPM	IN MM	3"	10.4 264.2	12.1 309.7	5.2 131	480 (3096)	3.9 100	3	5-100



LTM Series

Designed for ease of servicing.
Access to tank interior is not necessary

Specifications:

- Steel Zinc Plate Bushing 3, 5, 10, 11, 12 GPM
- Cast iron bushings 15 thru 200 GPM
- Perforated steel support tubes
- 100 mesh stainless steel pleated screen (standard)

Options:

- No bypass or 3 & 5 P.S.I. bypass
- Custom screens available on request
- **Stainless nuts 100 pc. minimum**

Dimensional Details



LTM-3, 5, 10,
11 and 12

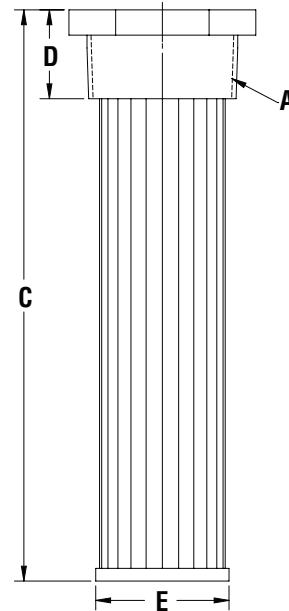
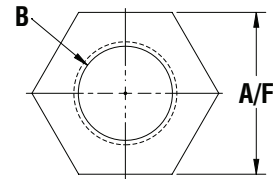


LTM-15
thru 200

Optional Relief
Valve Shown

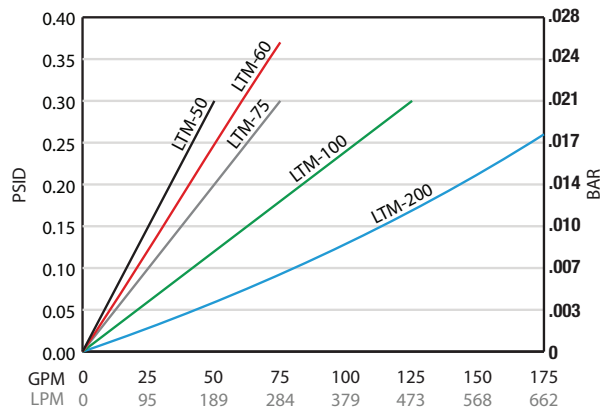
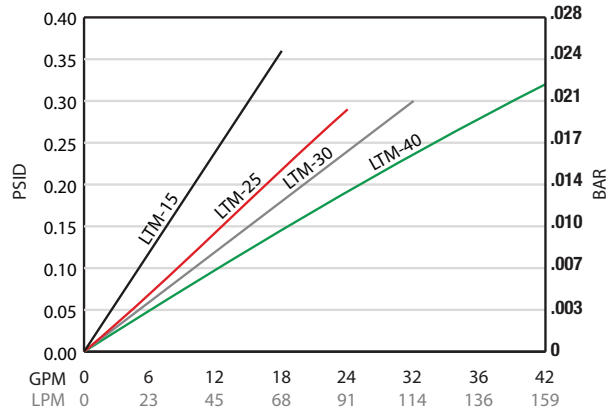
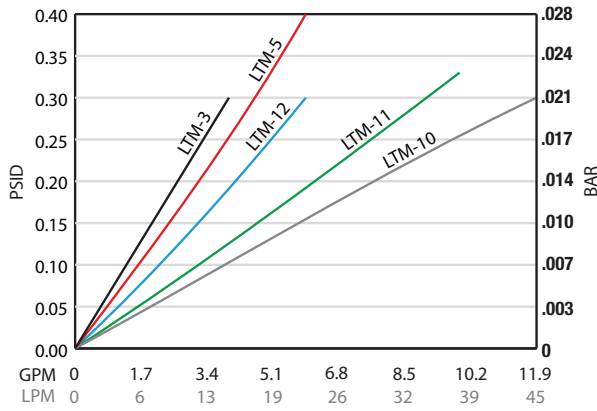
MODEL NUMBER	FLOW	A NPT	B NPT		C	D	E	A/F HEX DIA.	AREA IN ² (CM) ²
LTM-3	3 GPM 12 LPM	3/4"	3/8"	IN MM	4.00 101.6	0.98 25	0.79 20	1.18 30	30 (194)
LTM-5	5 GPM 20 LPM	1"	1/2"	IN MM	5.39 137	1.13 28	1.10 28	1.50 38	55 (355)
LTM-10	10 GPM 40 LPM	1-1/4"	3/4"	IN MM	7.48 190	1.22 31	1.42 36	1.81 46	90 (581)
LTM-11	15 GPM 60 LPM	1-1/4"	3/4"	IN MM	5.75 146	1.30 33	1.65 42	1.97 50	75 (484)
LTM-12	12 GPM 45 LPM	1-1/2"	3/4"	IN MM	4.00 101.5	1.30 33	1.66 42	1.97 50	48 (311)
LTM-15	18 GPM 72 LPM	1-1/2"	1"	IN MM	8.27 210	1.30 33	1.65 42	1.97 50	110 (710)
LTM-25	25 GPM 100 LPM	2"	1 1/4"	IN MM	10.00 254	1.30 33	2.13 54	2.60 66	175 (1129)
LTM-30	30 GPM 120 LPM	3"	1 1/4"	IN MM	10.24 260	1.69 43	3.07 78	2.60 66	265 (1709)
LTM-40	30 GPM 120 LPM	3"	1 1/2"	IN MM	10.24 260	1.69 43	3.07 78	2.60 66	265 (1709)
LTM-50	40 GPM 160 LPM	3"	2"	IN MM	10.24 260	1.69 43	3.07 78	3.23 82	265 (1709)
LTM-60	60 GPM 100 LPM	3"	2 1/2"	IN MM	10.24 260	2.01 51	3.07 78	3.54 90	265 (1709)
LTM-75	75 GPM 300 LPM	4"	2 1/2"	IN MM	9.69 246	1.81 46	3.78 96	4.65 118	300 (1935)
LTM-100	100 GPM 380 LPM	4"	3"	IN MM	11.30 287	1.81 46	3.78 96	4.65 118	355 (2290)
LTM-200	200 GPM 750 LPM	6"	4"	IN MM	12.44 316	2.28 58	5.71 145	5.7 144	860 (5547)

See Page 49a for WFN Series Weld Flanges



Mounting Details:

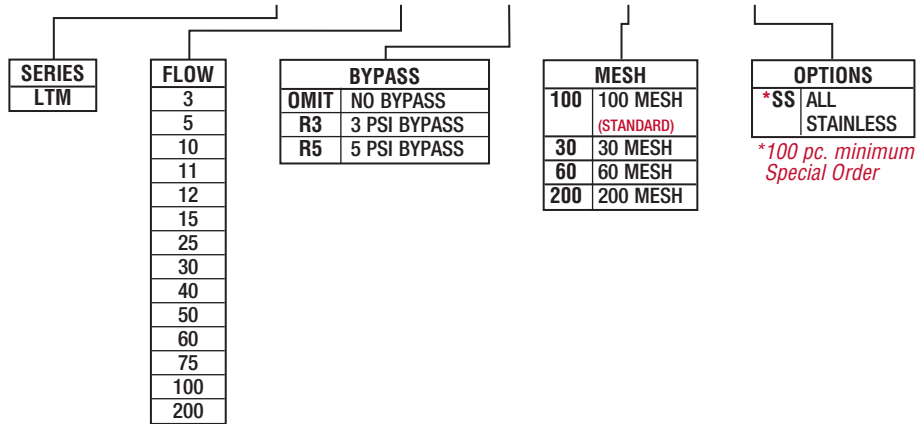
Mount through sidewall or through tank top and into standpipe. See page 48a for details.



Temperature 100° F Viscosity 150 SUS
Average pressure drop through clean assembly

Strainer Ordering Code

LTM — 15 — R3 — 100 —



See Technical Bulletin TB.FIL17.708, TB.FIL19.708, or further information at (Technical Data – www.lenzinc.com)



LTMA Series

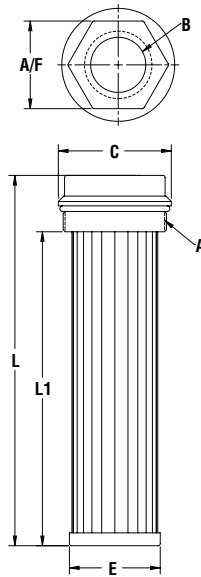
Specifications:

- 1¹/₁₆"-12 SAE thru 3³/₈"-12 SAE
- Die Cast Aluminum Bushing
- 100 Mesh Stainless Steel Mesh
- Flows to 40 G.P.M.
- Side Wall or Tank Top Mounting
- Buna O-Ring

Options:

- No bypass, 3 or 5 P.S.I. bypass
- 30, 60, 200 Mesh Screen Available

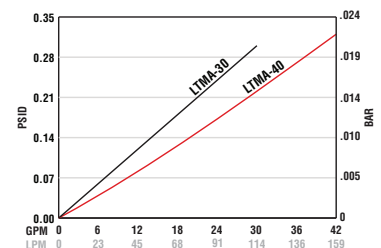
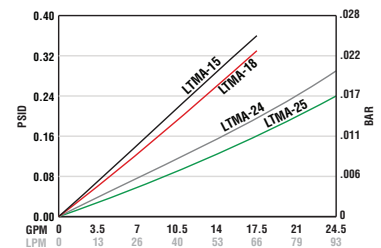
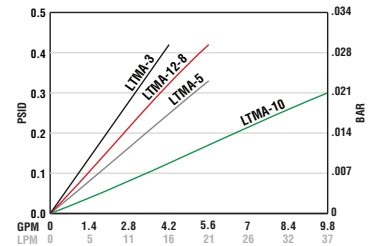
Optional Relief Valve Shown



Dimensional Details

MODEL NUMBER	FLOW	A SAE	B SAE/NPT		HEX A/F	C	E	L	L1	AREA IN ² / (CM) ²
LTMA-3	3 GPM 12 LPM	1 1/16-12	3/4-16	IN	1.24	1.72	0.79	4.00	2.64	30 (194)
LTMA-12-8	3 GPM 12 LPM	1 1/16-12	3/4-16	IN	1.24	1.72	0.9	6.6	5.25	48 (312)
LTMA-5	5 GPM 20 LPM	1 5/16-12	3/4-16	IN	1.24	1.72	1.13	5.39	4.02	54 (348)
LTMA-10	10 GPM 40 LPM	1 5/8-12	1 1/16-12	IN	1.50	2.03	1.42	8.19	6.77	90 (581)
LTMA-15	15 GPM 60 LPM	1 7/8-12	1 5/16-12	IN	1.81	2.35	1.67	8.19	6.77	120 (774)
LTMA-18	18 GPM 72 LPM	2 1/2-12	1 5/16-12	IN	2.13	2.73	2.13	9.06	7.64	160 (1032)
LTMA-24	24 GPM 90 LPM	3 3/8-12	1 5/8-12	IN	2.44	2.71	3.07	8.85	7.2	190 (1225)
LTMA-25	25 GPM 100 LPM	2 1/2-12	1 5/8-12	IN	2.13	2.73	2.13	9.00	7.64	160 (1032)
LTMA-25N25	25 GPM 100 LPM	2 1/2-12	1 1/4 NPT	IN	2.13	2.76	2.13	9.00	7.62	160 (1032)
LTMA-30	30 GPM 120 LPM	3 3/8-12	1 7/8-12	IN	2.48	3.50	3.07	8.80	7.24	230 (1484)
LTMA-40	40 GPM 160 LPM	3 3/8-12	2 1/2-12	IN	2.99	3.50	3.07	9.30	7.7	230 (1484)
LTMA-40N32	40 GPM 160 LPM	3 3/8-12	2 NPT	IN	2.99	3.50	3.07	9.30	7.80	230 (1484)

*See Page 48-49a for LWBA, WFA Series, Weld Bushings and Flanges

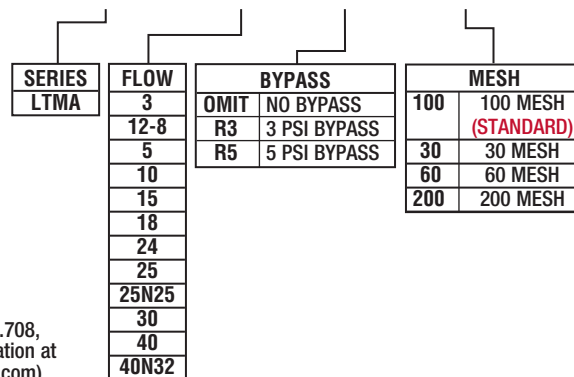


Temperature 100° F Viscosity 150 SUS
Average pressure drop through clean assembly

Mounting Details:
Mount through sidewall or through tank top and into standpipe. See page 48a for details.

Strainer Ordering Code

LTMA — 15 — R3 — 100



See Technical Bulletin TB.FIL17.708, TB.FIL19.811, or further information at (Technical Data – www.lenzinc.com)



LTMAB Series

Designed for ease of servicing.
Access to tank interior is not necessary

Specifications:

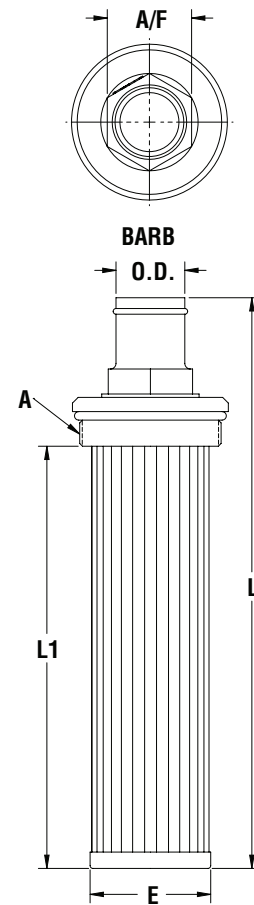
- 17/8"-12 SAE thru 33/8"-12 SAE connections
- 1" to 2" Hose Bead
- Forged Zinc plated fitting
- 100 mesh stainless steel mesh
- Buna O-Ring

Options:

- Optional relief valve available
- Specify bypass – R3 or – R5
- 30, 60, 200 mesh available
- Viton O-Ring



Optional Relief Valve Shown



Dimensional Details

MODEL NUMBER	FLOW	A SAE		OD BARB	L	L1	A/F	E	AREA (CM)
LTMAB-1616	4 GPM 16 LPM	1 5/16"	IN MM	1 25.4	5.51 140	3.15 80	1.50 38	1.12 28.5	42 271
LTMAB-1516	10 GPM 40 LPM	1 7/8-12	IN MM	1 25.4	9.25 235	6.69 170	1.25 31.75	1.65 42	100 645
LTMAB-1520	15 GPM 60 LPM	1 7/8"-12	IN MM	1.25 31.8	9.25 235	7.28 185	1.25 31.75	1.65 42	109 708
LTMAB-2125	15 GPM 60 LPM	2 1/2-12	IN MM	1.25 31.8	10.00 254	7.40 188	1.50 38.1	2.13 54	160 1032
LTMAB-4825	20 GPM 80 LPM	3 3/8-12	IN MM	1.25 31.8	10.31 262	7.20 183	2.00 50.8	3.07 78	230 1484
LTMAB-4850	30 GPM 120 LPM	3 3/8-12	IN MM	1.5 38.1	10.31 262	7.20 183	2.00 50.8	3.07 78	230 1484
LTMAB-4832	40 GPM 160 LPM	3 3/8-12	IN MM	2 50.8	10.83 275	7.20 183	2.50 63.5	3.07 78	230 1484
LTMAB-37548	90 GPM 355 LPM	3 3/4-12	IN MM	3 76.2	12.5 317	8.9 226	3.23 82	3.35 85	315 2030

*See Page 48-49a for LWBA, WFA Series, Weld Bushings and Flanges
Pressure drop will be < 2PSI

Strainer Ordering Code

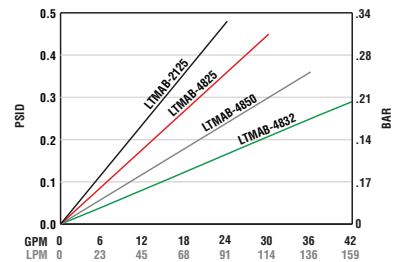
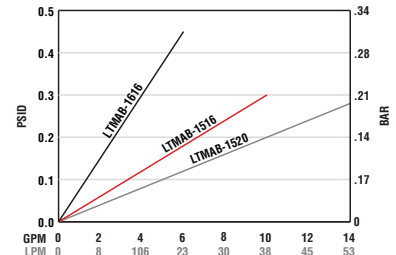
LTMAB — 1516 — R3 — 100

SERIES
LTMAB

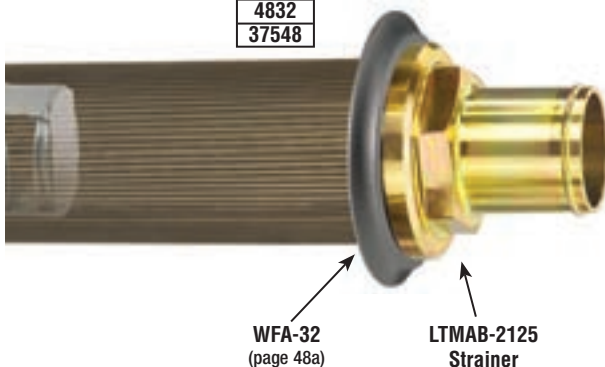
FLOW
1616
1516
1520
2125
4825
4850
4832
37548

BYPASS	
OMIT	NO BYPASS
R3	3 PSI BYPASS
R5	5 PSI BYPASS

MESH	
100	100 MESH (STANDARD)
30	30 MESH
60	60 MESH
200	200 MESH



Temperature 100° F Viscosity 150 SUS
Average pressure drop through clean assembly



WFA-32
(page 48a)

LTMAB-2125
Strainer

Mounting Details:
Mount through sidewall or through tank top and into standpipe. See page 48a for details.

See Technical Bulletin TB.FIL17.708, TB.FIL19.811, or further information at (Technical Data – www.lenzinc.com)



LTF Series

Designed for ease of servicing.
Access to tank interior is not necessary

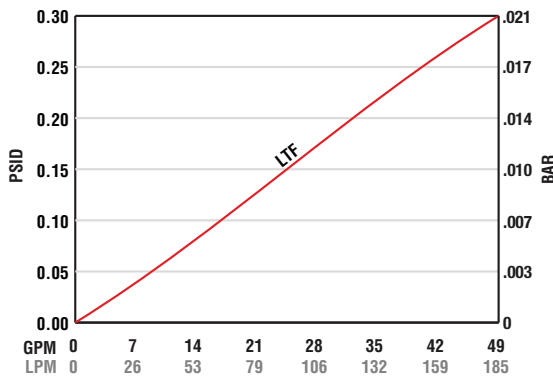
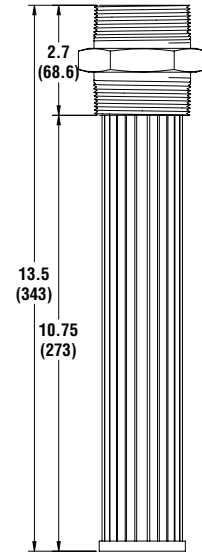
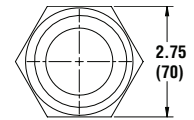
Specifications

- Flows up to 50 GPM (180 CPM)
- Cast iron bushing
- Perforated steel support tubes
- 100 mesh stainless steel pleated elements
- Filter area 135 sq. in. (870 cm²)

Options

- No bypass or 5 P.S.I. bypass
- 30, 60, 200 mesh available upon to request

Optional Relief Valve Shown

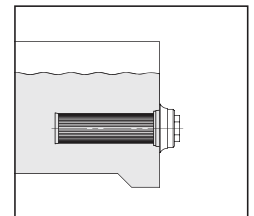
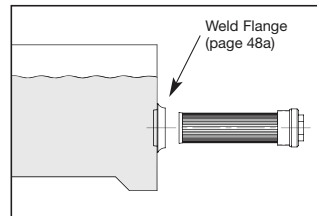


Strainer Ordering Code

LTF — 32-32 — R3 — 100

SERIES LTF	SIZE 32-32	BYPASS OMIT NO BYPASS R3 3 PSI BYPASS R5 5 PSI BYPASS	MESH 100 100 MESH (STANDARD) 30 30 MESH 60 60 MESH 200 200 MESH
----------------------	----------------------	---	--

Temperature 100° F Viscosity 150 SUS
Average pressure drop through clean assembly



Mounting Details:
Mount through sidewall or through tank top and into standpipe.

See Technical Bulletin TB.FIL17.708, TB.FIL19.811, or further information at
(Technical Data – www.lenzinc.com)



WF, WFA Weld Flanges

- Forged steel construction (AISI 1018-AISI 1020)
- Zinc Black Phosphate finish makes them suitable for welding
- Flanged pilot design makes for easy installation
- -4 to -48 SAE O-Ring port ensures leak proof protection
- 1/8" -3" NPT and BSPP threads available
- WF-SS-* or WFA-SS-* 304 stainless steel
- AA6351-T6 Aluminum WF-AL, WFA-AL



STAINLESS
STEEL



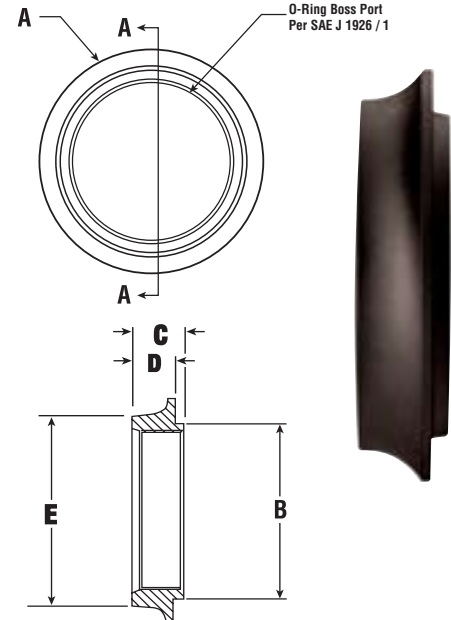
STEEL



ALUMINUM

Dimensional Details

SAE MODEL	SAE PORT	NPT MODEL	NPT PORT	BSPP PORT		A	B	C	D	E
		WF-2	1/8		IN	1	0.59	0.55	0.25	0.59
					MM	25.40	15.0	14.0	6.4	15.0
WFA-4	7/16-20	WF-4	1/4		IN	1.5	0.93	0.56	0.31	1
					MM	38.10	23.62	14.22	7.87	25.40
WFA-5	1/2-20				IN	1.5	0.93	0.56	0.31	1
					MM	38.10	23.62	14.22	7.87	25.40
WFA-6	9/16-18	WF-6	3/8	3/8	IN	1.5	0.93	0.56	0.31	1
					MM	38.10	23.62	14.22	7.87	25.40
WF-8B				1/2	IN	2.13	1.38	0.69	0.44	1.44
					MM	54.10	35.05	17.53	11.18	36.58
WFA-8	3/4-16	WF-8	1/2		IN	1.5	0.93	0.56	0.31	1
					MM	38.10	23.62	14.22	7.87	25.40
WFA-10	7/8-14				IN	2.13	1.38	0.69	0.44	1.44
					MM	54.10	35.05	17.53	11.18	36.58
WFA-12	1 1/16-12	WF-12	3/4	3/4	IN	2.13	1.38	0.69	0.44	1.44
					MM	54.10	35.05	17.53	11.18	36.58
WFA-14	1 3/16-12				IN	2.38	1.66	0.75	0.5	1.75
					MM	60.45	42.16	19.05	12.70	44.45
WFA-16	1 5/16-12	WF-16	1	1	IN	2.38	1.66	0.75	0.5	1.75
					MM	60.45	42.16	19.05	12.70	44.45
WFA-20	1 5/8-12	WF-20	1 1/4	1 1/4	IN	2.69	2	0.75	0.5	2.13
					MM	68.33	50.80	19.05	12.70	54.10
WFA-24	1 5/8-12	WF-24	1 1/2	1 1/2	IN	3	2.25	0.75	0.5	2.38
					MM	76.20	57.15	19.05	12.70	60.45
WFA-32	2 1/2-12	WF-32	2	2	IN	3.5	2.63	0.86	0.6	2.88
					MM	88.90	66.80	21.84	15.24	73.15
		WF-40	2 1/2		IN	4.63	3.66	1	0.81	3.94
					MM	117.60	92.96	25.4	20.57	100.08
WFA-48	3 3/8-12	WF-48	3	3	IN	4.63	3.66	1	0.81	3.94
					MM	117.60	92.96	25.4	20.57	100.08
WFA-54	3 3/4-12				IN	4.88	4.04	1	0.81	4.33
					MM	123.95	102.62	25.4	20.57	109.98
		WF-64	4"		IN	5.71	4.61	1.06	0.86	4.92
					MM	145.03	117.09	26.9	21.84	125.0



1/8" NPT & 2-1/2" NPT are special order in Stainless Steel and Aluminum - Consult factory

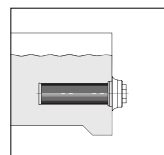
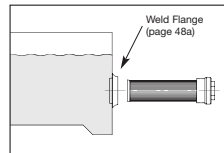
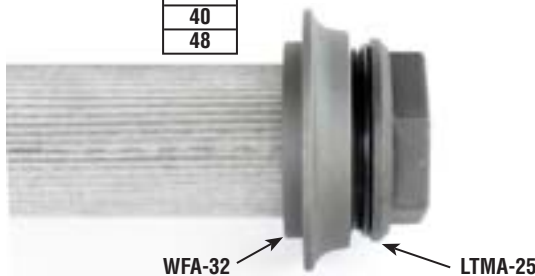
BSPP dimensions same as NPT

Ordering Code BSPP Flanges

WF — 8 — B

SERIES		PORT	THREAD		MATERIAL	
WF	BSPP		B	BSPP	OMIT	STEEL
		6			**SS	STAINLESS STEEL

**Special Order



Mounting Details: Mount through sidewall or through tank top and into standpipe.

Ordering Code NPT, SAE Flanges

WF — 8 — N — SS

SERIES		PORT	THREAD		MATERIAL	
WFA	SAE		OMIT	SAE	OMIT	STEEL
WF	NPT		N	NPT	SS	STAINLESS STEEL
					AL	ALUMINUM

*SAE Threads Only
*NPT Threads Only

- *2
- 4
- *5
- 6
- 8
- *10
- 12
- *14
- 16
- 20
- 24
- 32
- *40
- 48
- *54
- 64

See Technical Bulletin TB.FIL.24.1212, or further information at (Technical Data – www.lenzinc.com)



LWBA Weld Adapters

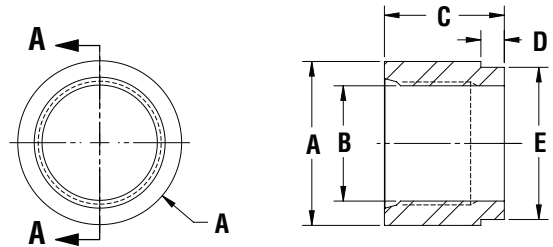
FEMALE SAE "O-RING" WELD Adapter

LENZ "LWBA" Weld Adapters are a female SAE O-ring connector for Lenz SAE male straight thread fittings or any other Lenz hydraulic component with a male SAE straight thread, making for a leak-free installation. AISI-1018 mild steel, zinc phosphate finish, stainless steel, and aluminum.



Dimensional Details

MODEL NUMBER	FEMALE SAE	A	B	C	D	E
LWBA-6	9/16"-18	1	0.5	1	0.25	0.88
LWBA-8	3/4"-16	1.25	0.69	1.06	0.25	1.13
LWBA-10	7/8"-14	1.38	0.81	1.06	0.25	1.25
LWBA-12	1 1/16"-12	1.5	0.98	1.28	0.25	1.38
LWBA-14	1 3/16"-12	1.63	1.1	1.25	0.25	1.5
LWBA-16	1 5/16"-12	1.75	1.23	1.28	0.25	1.63
LWBA-20	1 5/8"-12	2.25	1.54	1.28	0.25	2.13
LWBA-24	1 7/8"-12	2.75	1.79	1.28	0.25	2.5
LWBA-32	2 1/2"-12	3.25	2.41	1.5	0.25	3



Ordering Code LWBA

LWBA — 12 — * — SS

SERIES	PORT SIZE- PORT THREAD	THREAD TYPE	MATERIAL
LWBA — SAE	6 9/16"-18 or 3/8" NPT	SAE OMIT	OMIT STEEL
LWB — NPT	8 3/4"-16 or 1/2" NPT	N NPT	SS STAINLESS STEEL
	12 1 1/16"-12 or 3/4" NPT		*ALUM ALUMINUM
	16 1 5/16"-12 or 1" NPT		
	20 1 5/8"-12 or 1 1/4" NPT		
	24 1 7/8"-12 or 1 3/4" NPT		
	32 2 1/2"-12 or 2" NPT		

*Consult factory for availability



AN-WB Weld Couplings

FEMALE SAE "O-RING" TO FEMALE NPT

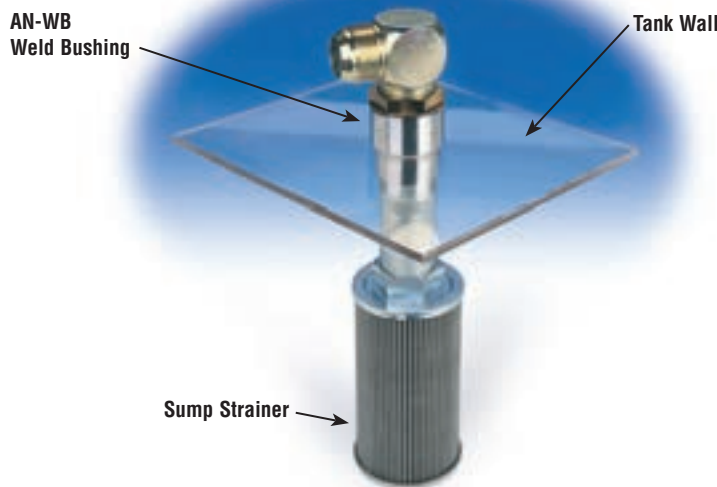
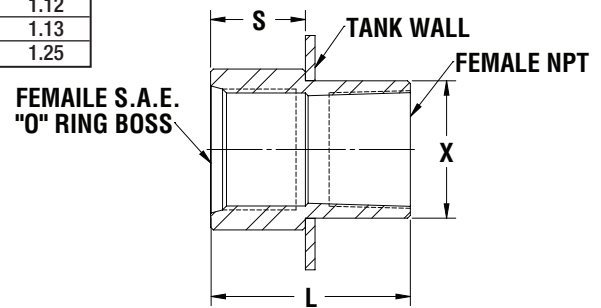
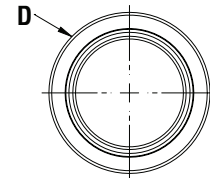
LENZ "AN-WB" Weld Adapters are a female SAE "O-Ring" connection on top or side of tank, and the female NPT connection on the inside of the tank, to save time and labor when installing strainers or accessories for a leak-free installation.

AISI-1018 mild steel, zinc phosphate finish and stainless steel.



Dimensional Details

MODEL NUMBER	FEMALE SAE	FEMALE PIPE	L +.03	X PILOT DIA.	D DIA.	S
AN-WB-6-6	9/16"-18	3/8"	1.41	.808	1.00	.437
AN-WB-8-8	3/4"-16	1/2"	1.72	.995	1.125	.63
AN-WB-12-12	1 1/16"-12	3/4"	1.98	1.275	1.50	1.0
AN-WB-16-16	1 5/16"-12	1"	2.17	1.495	1.75	1.08
AN-WB-20-20	1 7/8"-12	1 1/4"	2.25	1.870	2.125	1.12
AN-WB-24-24	1 7/8"-12	1 1/2"	2.26	2.125	2.375	1.13
AN-WB-32-32	2 1/2"-12	2"	2.41	3.00	3.25	1.25



Ordering Code LWBA

AN-WB — 12 — 12 — SS

SERIES	FEMALE SAE	FEMALE PIPE	MATERIAL
AN-WB	6 9/16"-18	6 3/8" NPT	OMIT STEEL
	8 3/4"-16	8 1/2" NPT	SS STAINLESS STEEL
	12 1 1/16"-12	12 3/4" NPT	*ALUM ALUMINUM
	16 1 5/16"-12	16 1" NPT	
	20 1 7/8"-12	20 1 1/4" NPT	
	24 1 7/8"-12	24 1 3/4" NPT	
	32 2 1/2"-12	32 2" NPT	

*Consult factory for availability

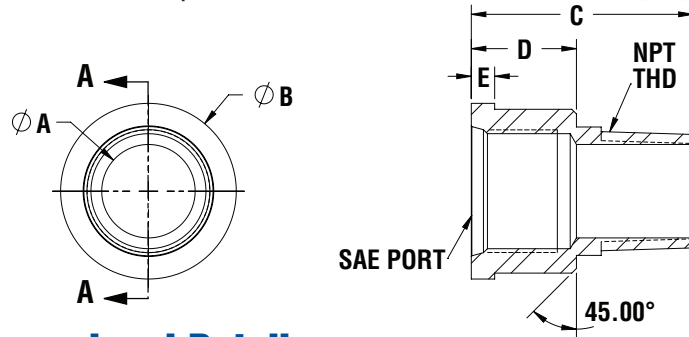
See Technical Bulletin TB.FIL24.1212, TB.TA01.708 TB.TA02.708 or further information at (Technical Data – www.lenzinc.com)



AN-WM Weld Coupling

SAE to NPT

- AISI 1018 Mild Steel
- Zinc Black Phosphate Finish
- Ideal for installing 49 series sump strainers and diffusers with female ports.

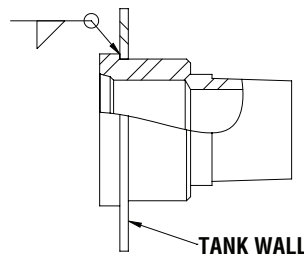


Dimensional Details

PART NO.	PORT SIZE	PORT THREAD	NPT THREAD		A	B	C	D	E
AN-WM-12-12	-12	1-1/16-12 UN 2B	3/4"	IN	0.83	1.63	2.13	1.13	0.25
				MM	21.08	41.4	54.1	28.7	6.35
AN-WM-14-14	-14	1-3/16-12 UN 2B	3/4"	IN	0.83	1.75	2.13	1.13	0.25
				MM	21.08	44.45	54.1	28.7	6.35
AN-WM-16-16	-16	1-5/16-12 UN 2B	1"	IN	1.00	1.88	2.38	1.13	0.25
				MM	25.4	47.75	60.45	28.7	6.35
AN-WM-20-20	-20	1-5/8-12 UN 2B	1 1/4"	IN	1.38	2.25	2.38	1.12	0.36
				MM	35.05	57.15	60.45	28.45	9.14
AN-WM-24-24	-24	1-7/8-12 UN 2B	1 1/2"	IN	1.81	2.50	2.50	1.25	0.36
				MM	46.0	63.5	63.5	31.75	9.14
AN-WM-32-32	-32	2-1/2-12 UN 2B	2"	IN	2.00	3.00	2.50	1.21	0.36
				MM	50.8	76.2	63.5	30.73	9.14

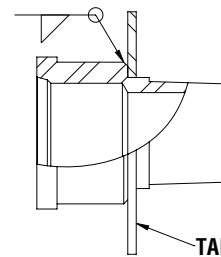


LOW PROFILE MOUNTING



TANK WALL

STANDARD MOUNTING



TANK WALL

Hole Size Requirements

PART NO.		Standard Mount Height Hole Diameter	Tolerance	Low Profile Mount Hole Diameter	Tolerance
AN-WM-12-12	IN	1.130	+0.030 / -0.000	1.500	+0.030 / -0.000
	MM	28.7	+0.762 / -0.000	38.1	+0.762 / -0.000
AN-WM-14-14	IN	1.130	+0.030 / -0.000	1.625	+0.030 / -0.000
	MM	28.7	+0.762 / -0.000	41.3	+0.762 / -0.000
AN-WM-16-16	IN	1.380	+0.045 / -0.000	1.750	+0.030 / -0.000
	MM	35.05	+1.143 / -0.000	44.45	+0.762 / -0.000
AN-WM-20-20	IN	1.880	+0.045 / -0.000	2.125	+0.030 / -0.000
	MM	47.75	+1.143 / -0.000	54.0	+0.762 / -0.000
AN-WM-24-24	IN	2.000	+0.080 / -0.000	2.375	+0.030 / -0.000
	MM	50.8	+2.032 / -0.000	60.32	+0.762 / -0.000
AN-WM-32-32	IN	2.380	+0.080 / -0.000	2.875	+0.030 / -0.000
	MM	60.45	+2.032 / -0.000	73.0	+0.762 / -0.000

See Technical Bulletin TB.FIL24.1212, or further information at
(Technical Data – www.lenzinc.com)



LTMD Series Diffusers

Designed for ease of servicing.
Access to tank interior is not necessary

Specifications :

- Steel bushings (NPT)
- Aluminum bushings (SAE)
- Perforated steel tube
- Temperatures to + 212° F (+100° C)
- Rated flow at 17 F.P.S.

Options:

- SAE Aluminum bushings available - consult factory
- Stainless steel diffuser tubes available-consult factory



LTMD-3
LTMD-5
LTMD-10

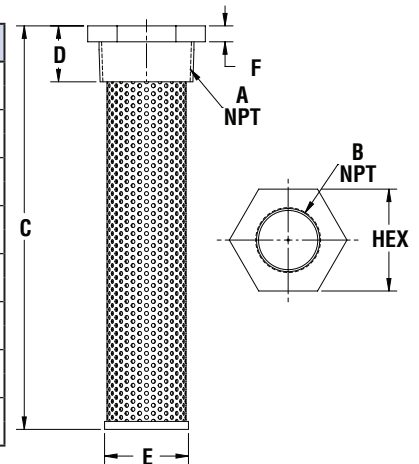


LTMD-15
THRU
LTMD-200

PL-LTMDA

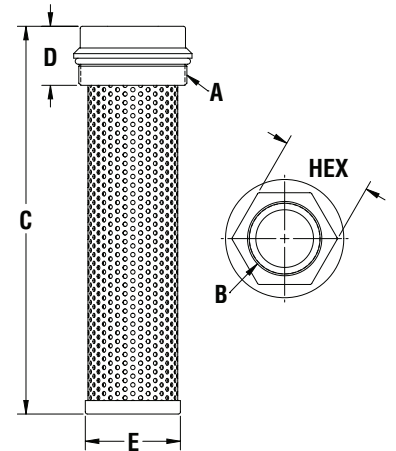
Dimensional Details – LTMD

MODEL	FLOW GPM (LPM)		NPT A	NPT B	C	D	E	HEX
LTMD-3	10 (38)	IN MM	3/4"	3/8"	4 102	1 25	0.8 20	1.06 27
LTMD-5	20 (76)	IN MM	1"	1/2"	5.4 137	1.1 28	1.2 30	1.43 36
LTMD-10	35 (132)	IN MM	1 1/4"	3/4"	7.5 190	1.2 31	1.4 36	1.81 46
LTMD-15	55 (208)	IN MM	1 1/2"	1"	8.3 210	1.3 33	1.7 42	2 51
LTMD-25	95 (360)	IN MM	2"	1 1/4"	10 254	1.7 33	3 54	2.55 65
LTMD-50	210 (795)	IN MM	3"	2"	10 260	1.7 43	3.08 76	3.3 84
LTMD100	465 (1760)	IN MM	4"	3"	11 287	1.8 46	3.8 96	5 127
LTMD-200	550 (2082)	IN MM	6"	4"	12.4 316	2.3 58	5.7 145	5.7 144



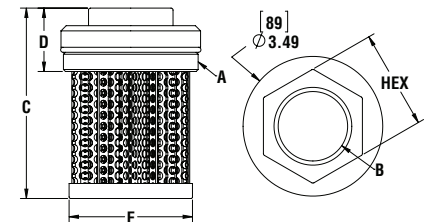
Dimensional Details – LTMA D

MODEL	FLOW GPM (LPM)	SAE A	SAE B		C	D	E	HEX
LTMA D-3	10 (38)	1 1/16"-12	9/16"-18	IN MM	4.0 101.6	1.4 34.6	0.8 20	1.2 31.5
LTMA D-5	20 (76)	1 5/16"-12	3/4"-16	IN MM	5.4 137	1.4 35	1.1 28.5	1.2 31.5
LTMA D-10	35 (132)	1 5/8"-12	1 1/16"-12	IN MM	7.5 190	1.4 36	1.4 36	1.5 38
LTMA D-15	55 (208)	1 7/8"-12	1 5/16"-12	IN MM	8.2 208	1.4 36	1.7 42	1.8 46
LTMA D-25	95 (360)	2 1/2"-12	1 5/8"-12	IN MM	9.0 228.6	1.4 34.6	2.1 54	2.1 54
LTMA D-50	210 (795)	3 3/8"-12	1 7/8"-12	IN MM	8.8 223.5	1.6 39.5	3.1 78	2.5 63
LTMA D-100	460 (1760)	3 3/8"-12	2 1/2"-12	IN MM	9.3 236.2	1.8 46.2	3.1 78	3.0 76



Dimensional Details – PL-LTMDA

MODEL	FLOW GPM (LPM)	SAE A	SAE B		C	D	E	HEX
PL-LTMDA-40	43 (162)	3 3/8"-12	1 5/8"-12	IN MM	4.7 119	1.6 39.5	3.1 78	2.6 65
PL-LTMDA-60	64 (242)	3 3/8"-12	1 7/8"-12	IN MM	5.7 145	1.6 39.5	3.1 78	2.6 65



Mounting Details:

Mount through sidewall or through tank top
and into standpipe. See page 48a

See Technical Bulletin TB.FIL15.708 or further information at
(Technical Data – www.lenzinc.com)

*See Page 49-51a for LWBA, WFA Series, Weld Bushings and Flanges
Pressure drop will be < 2PSI



LDFD Series Diffusers

Designed for ease of servicing.

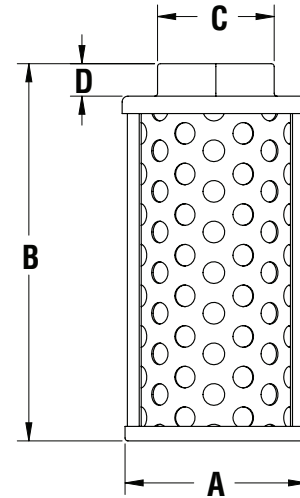
Specifications:

- Aluminum Nut / Zinc plated steel body
- Operating temperature range -13° F to 212° F (-25° C to 100° C)
- Up to 3" NPT port threads
- Flows to 460 GPM (1742 LPM)
- Maximum working pressure 150 P.S.I. (10 Bar)
- Pressure drop at rated flows .5 P.S.I. (.035 Bar)
- Rated flow at 17 F.P.S.



Dimensional Details

PART NO.	NPT PORT	FLOW GPM / LPM		DIA A	O.A.L B	HEX DIA C	HEX HEIGHT D
LDFD-10	1/2"	10	IN	1.65	4.09	1.18	0.49
		38	MM	42	104	30	12.5
LDFD-30	3/4"	33	IN	2.36	5.00	1.38	0.59
		125	MM	60	127	35	15
LDFD-60	1"	53	IN	2.36	6.26	1.81	0.57
		201	MM	60	159	46	14.5
LDFD-90	1 1/4"	93	IN	3.23	6.26	2.01	0.53
		352	MM	82	159	51	13.5
LDFD-120	1 1/2"	126	IN	3.23	8.27	2.36	0.55
		477	MM	82	210	60	14
LDFD-200	2"	209	IN	3.23	12.24	2.76	0.59
		791	MM	82	311	70	15
LDFD-250	2 1/2"	300	IN	5.71	8.31	3.54	0.98
		1136	MM	145	211	90	25
LDFD-300	3"	460	IN	5.71	10.71	3.94	0.98
		1741	MM	145	272	100	25

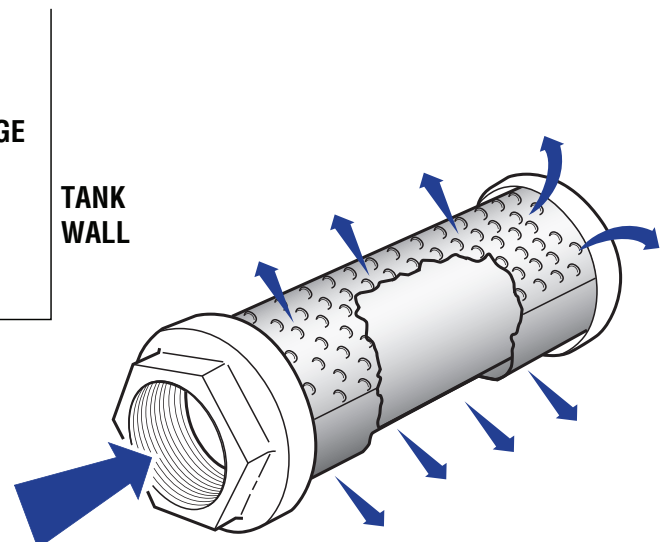
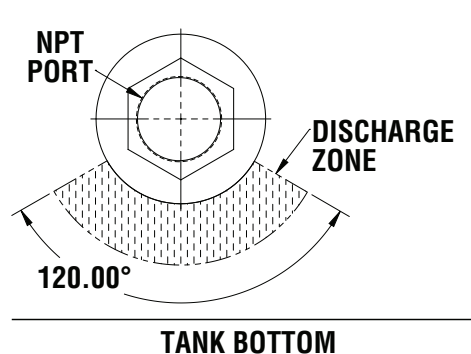


Operation

The LDFD series diffuser consists of two concentric steel tubes each with rows of discharge holes positioned over 120 degrees of their circumference arranged on opposite sides. The inner tube has fewer holes than the outer; to allow for oil velocity to be reduced in two stages as it passes from the inner tube to the outer tube and eventually into the reservoir. The LDFD series diffusers should be installed with the discharge area on the outside tube facing the tank wall or bottom.

Benefits

Designed to effectively reduce fluid aeration, foaming, turbulence, and noise caused by return lines. Pump life is also extended by reducing cavitation to the pump inlet.



See Technical Bulletin TB.FIL15.708 or further information at (Technical Data – www.lenzinc.com)



Disc Sump Strainer

Stacking Disc Sump Strainers

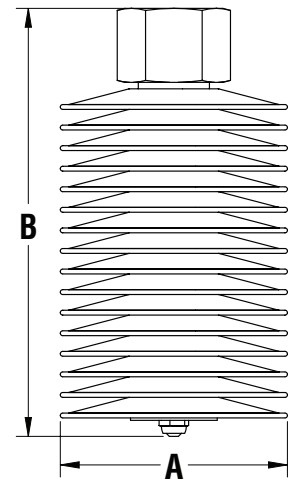
Model L-G

Lenz Model L-G Strainers are all-metal disc type, for all petroleum base and fire resistant hydraulic oils and other liquids such as water and fuels. They are designed to work efficiently installed in either a vertical or horizontal position.

Lenz Disc Type Strainers can be cleaned more completely than any other design because when the assembly is dismantled, every square inch of flat screen area can be scrubbed clean and inspected.

Because of the Lenz "Stacking" Disc design, it is possible to provide assemblies with filtering area ranging from 8 to more than 700 square inches by utilizing the four disc sizes shown in the table below (Dimension A)

These units may be ordered with 100, 60, or 30 mesh wire screen. 100 mesh stainless Cloth supplied unless otherwise specified.

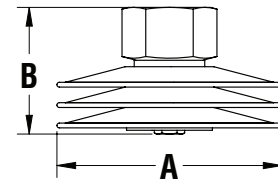


L-G SERIES

100 Mesh Stainless Cloth Is Supplied Unless Otherwise Specified

MODEL NUMBER	GPM	PIPE SIZE NPT	DIMENSIONS		DISCS	FILTER AREA (SQ. IN.)
			A	B		
L75G5	5	3/4"	3 3/4"	4"	8	64"
L75G8	8	3/4"	3 3/4"	5 1/2"	12	96"
L100G10	10	1"	3 3/4"	7 3/8"	16	128"
L125G20	20	1 1/4"	4 1/4"	9 1/4"	21	214"
L150G30	30	1 1/2"	5"	9 3/8"	21	307"
L150G50	50	1 1/2"	5"	10 7/8"	25	365"
L200G60	60	2"	6"	7 7/8"	18	380"
L200G75	75	2"	6"	9 1/4"	22	464"
L250G85	85	2 1/2"	6"	10 1/8"	24	507"
L250G100	100	2 1/2"	6"	11 5/8"	28	591"

NOTE: * area based on following: 8.0" sq. in. per 3.75" disc / 10.2" sq. in. per 4.25" disc / 14.6" sq. in. per 5" disc / 21.1" sq. in. per 6" disc.



D SERIES

Compact Disc Strainers

Model D

MODEL NUMBER	PIPE SIZE NPT	A	B HEIGHT	DISCS	AREA SQ. IN.
37-D-1	3/8"	3 3/4"	1"	1	8"
37-D-2	3/8"	3 3/4"	1 3/8"	2	16"
37-D-3	3/8"	3 3/4"	1 3/4"	3	24"
50-D-1	1/2"	3 3/4"	1 1/8"	1	8"
50-D-2	1/2"	3 3/4"	1 1/2"	2	16"
50-D-3	1/2"	3 3/4"	1 7/8"	3	24"
50-D-5	1/2"	3 3/4"	2 5/8"	5	40"
75-D-3	3/4"	3 3/4"	2 1/4"	3	24"
75-D-4	3/4"	3 3/4"	2 5/8"	4	32"
75-D-5	3/4"	3 3/4"	3"	5	40"
100-D-6	1"	3 3/4"	3 5/8"	6	48"
100-D-7	1"	3 3/4"	4"	7	56"

These compact strainers are designed for low oil levels and small tanks found in scissor lifts, lift trucks, and other applications where efficiency counts most. They are perfect for shallow tanks, work well in fluid levels as low as 3/4".

- Available on special order: 6" dia. discs which have 21.1 sq. in. screen area per disc. 3/4" or 1" NPT pipe size.



NOTE: * 8.0 sq. in. per 3 3/4"
See pg. 57a for view of screen



Magnetic Disc Sump Strainers

Model ML-G

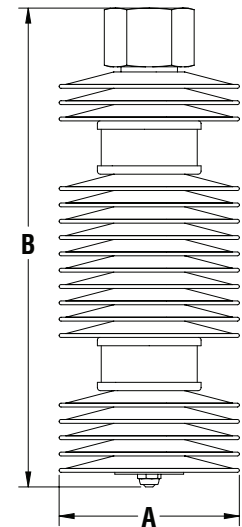
Lenz Model ML-G Strainers add magnetic separation to the efficient straining action of the stacking disc design. Powerful Alnico magnets attract iron particles to the disc covers and away from the stainless screen. Oil passing through the center of the magnets gets a secondary cleaning action. The magnets are an integral part of the assembly, not just an add-on feature. Meets J.I.C. specifications calling for magnetism in hydraulic systems. Die cast aluminum pipe adapters effectively isolate Lenz Magnetic Disc Sump Strainers from steel intake piping. When the unit is disassembled, the iron particles simply drop off the disc covers. These units may be ordered with 100, 60, or 30 mesh wire screen. (See pg. 58a for mesh sizes)



Dimensional Details

MODEL NUMBERS	GPM	PIPE SIZE NPT	DIMENSIONS		MAGNETS NO. & DIA.	DISC	FILTER AREA* (SQ. IN.)
			A	B			
ML75G5	5	3/4"	3 3/4"	5"	1-2"	8	64"
ML75G8	8	3/4"	3 3/4"	6 1/2"	1-2"	12	96"
ML100G10	10	1"	3 3/4"	9 3/8"	2-2"	16	128"
ML125G20	20	1 1/4"	4 1/4"	11 1/4"	2-3"	21	214"
ML150G30	30	1 1/2"	5"	11 3/8"	2-3"	21	307"
ML150G50	50	1 1/2"	5"	13 7/8"	3-3"	25	365"
ML200G60	60	2"	6"	10 1/8"	2-3"	18	380"
ML200G75	75	2"	6"	11 5/8"	2-3"	22	464"
ML250G85	85	2 1/2"	6"	12 3/8"	2-3"	24	507"
ML250G100	100	2 1/2"	6"	14 7/8"	3-3"	28	591"

ML-G SERIES



NOTE: *area based on following: 8.0 sq. in. per 3 3/4" disc • 10.2 sq. in. per 4 1/4" disc • 14.6 sq. in. per 5" disc • 21.1 sq. in. per 6" disc

Magnetic Compact Disc Strainer

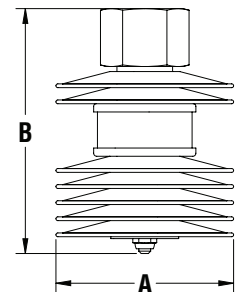
Model MD

Lenz Model M D Strainers combine magnetic separation and low profile disc construction. A cylindrical magnet mounted between discs makes a concentrated magnetic field through which all oil passes.

- Available on special order: 6" dia. discs which have 21.1 sq. in. screen area per disc, 3/4" or 1" NPT pipe size.

MODEL NUMBER	PIPE SIZE NPT	A	B HEIGHT	DISCS	AREA SQ. IN.	MAGNETIC NO. & DIA.
37MD1	3/8"	3 3/4"	2"	1	8"	1
37MD2	3/8"	3 3/4"	2 3/8"	2	16"	1
37MD3	3/8"	3 3/4"	2 3/4"	3	24"	1
50MD1	1/2"	3 3/4"	2 1/8"	1	8"	1
50MD2	1/2"	3 3/4"	2 1/2"	2	16"	1
50MD3	1/2"	3 3/4"	2 7/8"	3	24"	1
50MD5	1/2"	3 3/4"	3 5/8"	5	40"	1
75MD3	3/4"	3 3/4"	3 1/4"	3	24"	1
75MD4	3/4"	3 3/4"	3 5/8"	4	32"	1
75MD5	3/4"	3 3/4"	4"	5	40"	1
100MD6	1"	3 3/4"	4 5/8"	6	48"	1
100MD7	1"	3 3/4"	5"	7	56"	1

MD SERIES



See pg. 57a for view of screen



Return Line Sump Diffusers Disc Types

Prevents Oil From Foaming

Model R

Return Line Sump Diffusers are used to reduce the velocity of oil returning from the hydraulic system and are installed on the end of the return line, inside the reservoir. A velocity of 1 foot per second or less is desirable to prevent foaming and channeling of the hot oil.

Lenz Disc Type Sump Diffusers are designed to slow down and spread out the returning oil, to mix with remaining cool oil in the sump. Specify 8 or 30 mesh wire cloth in these assemblies.

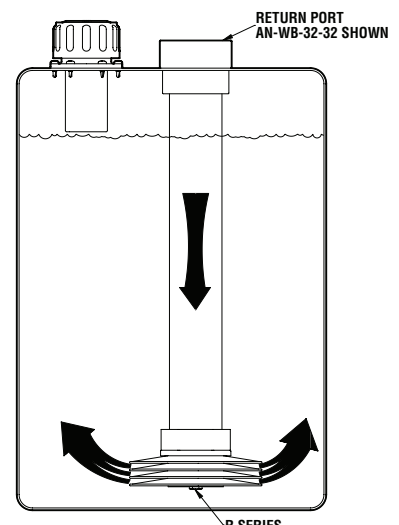
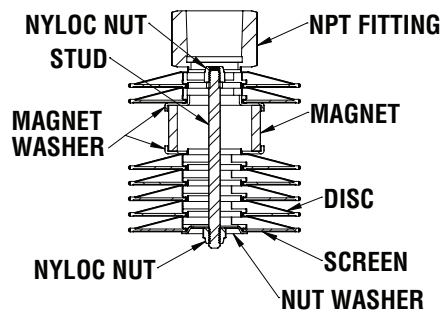
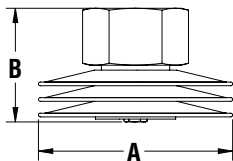


(View of disc screen)

Dimensional Details

MODEL PIPE NUMBERS	SIZE	GPM	A DIAMETER	B HEIGHT
75R2	3/4"	25	3 3/4"	1 3/4"
100R3	1"	40	3 3/4"	2 1/2"
125R3	1 1/4"	50	4 1/4"	2 9/16"
150R3	1 1/2"	60	5"	2 5/8"
150R4	1 1/2"	80	5"	3"
200R3	2"	90	6"	2 3/8"
200R4	2"	115	6"	2 3/4"
250R4	2 1/2"	115	6"	3"

R SERIES



Typical Mounting Position

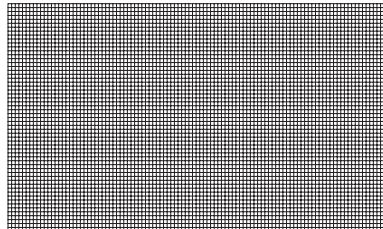


FILTERS – ACTUAL SIZE MESH

LENZ Cleanable Wire Cloth Filters are equipped with Stainless Steel Wire Cloth Elements. The filtering insert elements are available from a coarse 30 mesh up to a fine 200 mesh. To better illustrate mesh sizes, we have shown below the actual size mesh of the 100, 80, 60, 50, 40, and 30 mesh stainless steel wire screen. **The most common are 200, 100, 60, and 30 Stainless Steel Wire Mesh Screen. (100 Mesh LENZ Standard)**

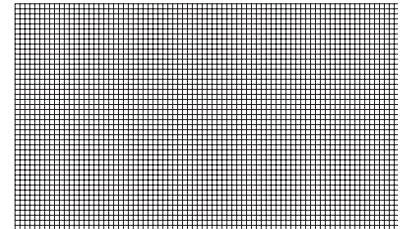
200 MESH

Wire diameter .0021
Width of opening .0029
Microns = 74
33.6% of open area



50 MESH

Wire diameter .0080
Width of opening .0120 = 308 Microns

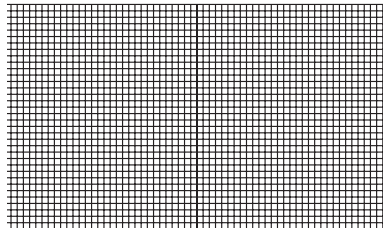


40 MESH

Wire diameter .0100
Width of opening .0150 = 385 Microns
36% of open area

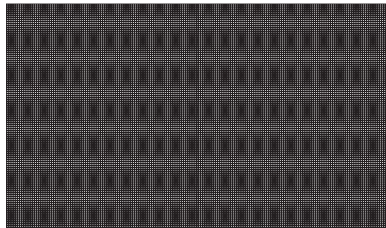
150 MESH

Wire diameter .0026
Width of opening .0041
Microns = 105



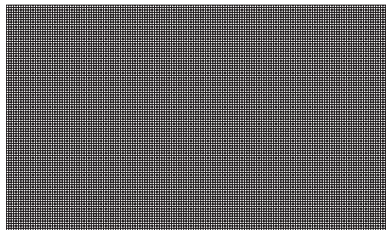
30 MESH

Wire diameter .0120
Width of opening .0213 = 546 Microns
44.8% of open area



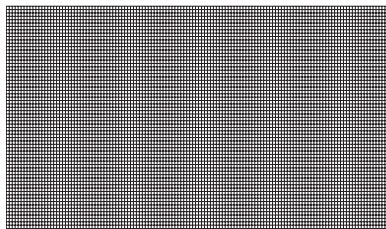
100 MESH

Wire diameter .0045
Width of opening .0055 = 141 Microns
30.3% of open area



80 MESH

Wire diameter .0055
Width of opening .0070 = 180 Microns

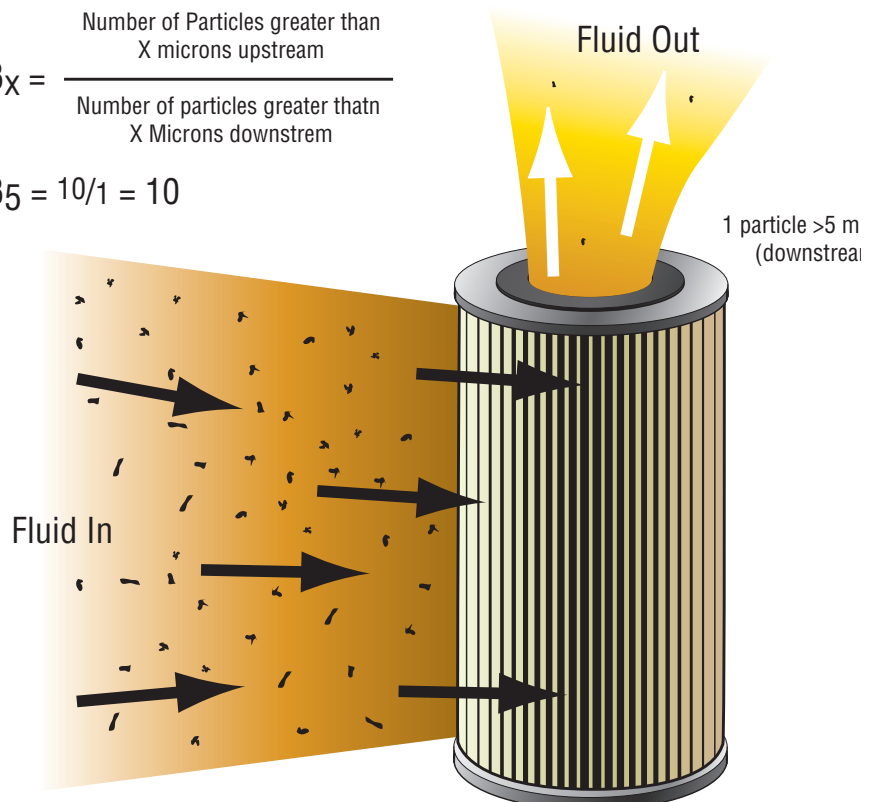


60 MESH

Wire diameter .0065
Width of opening .0102 = 262 Microns
37.5% of open area

$$\beta_x = \frac{\text{Number of Particles greater than X microns upstream}}{\text{Number of particles greater than X Microns downstream}}$$

$$\beta_5 = 10/1 = 10$$





Notes



“Visit our newly designed website where you will find Color Cutaway Product Sheets, Searchable Database & Technical Bulletins.”

www.lenzinc.com

TECHNICAL BULLETINS ON THE WEBSITE AT WWW.LENZINC.COM

TB.FIL01.708	Lenz CP-1281 Gasket Installation Instruction	TB.FIL12.708	Dirt Holding Capacity / Standard Wire Meshes
TB.FIL02.708	Lenz Contamination Control Information	TB.FIL.13.708	Lenz Indicator Positions
TB.FIL03.708	Cleaning Wire Mesh Elements	TB.FIL15.708	Diffusers
TB.FIL04.708	Lenz Private Label Program	TB.FIL16.708	CP Canister Filters
TB.FIL05.708	Spin On Filter Installation Instructions	TB.FIL17.708	Strainers
TB.FIL06.708	LIT 1250-R Filter Riser	TB.FIL18.811	Servicing DH Series Filters
TB.FIL07.708	LIT-750-R Risers	TB.FIL19.811	Servicing Suction Strainers
TB.FIL08.708	LITB Filter Installation	TB.FIL20.811	Servicing Tank Mounted Filters
TB.FIL09.708	Lenz Media Information	TB.FIL21.811	TIF Series Filter
TB.FIL10.708	Filtration Range	TB.FIL22.811	TFRE Service Instructions
TB.FIL11.708	Compares Cellulose & Synthetic Media	TB.FIL23.811	LIT Service Breakdown
		TB.FIL24.1212	Phosphate information

LENZ

TANK ACCESSORIES



FILLER BREATHERS
FILTER BREATHERS
DESICCANT BREATHERS
PRESSURIZED BREATHERS
FILL NECKS
PORT FLANGES
BALL VALVES
END COVERS

SIGHT GAUGES
SIGHT GLASSES
TANK MAGNETS
SUCTION & RETURN FLANGES
RUBBER BUSHINGS
VENT BREATHERS
DIPSTICKS
MAGNETIC PLUGS



Tank Accessories Table of Contents

SERIES	TANK ACCESSORIES	SECTION B PAGE
	Tank Accessory Photo	b
	Tank Accessory Index	bb
	Bayonet Breather Options	1b
	Filler Breathers Installations	2b
	Bayonet Breather Components	3-4b
XL series	Large Filler Breather	5b
XL-P	Pressurized Breathers	6b
FCS-537, 547	Filler Breathers	7b
FCS-557	Vent, Non-Vent Breathers	8b
NYC	Nylon Filler Breathers	9b
LBG	Bayonet Filter Breathers	10b
HYD	Hydraulic Fill Necks	11-12b
HDF	Diesel Fill Necks	13-14b
FC, FN	C.A.R.B. Products	15b
ABS, NY-B-2	Tank Mount & Threaded breather	16b
FCSM, FCS	Mini & Super Fill Caps	17b
FCS-500	Large Capacity Breathers	18b
BF	Threaded Filter Breather	19b
LMB, BF	Threaded Filter Breather	20b
ABFT	Aluminum Threaded Filter Breathers	21b
NY	Nylon Filler Breathers	22-23b
LGB	Threaded Filter Breather	24b
NY-9-M52	Nylon Filler Breathers	25b
NY-LVB, KMF, KMV	Vent Breathers & Plugs	26b
TCN, TCNB	Fill Plugs, Hex Head Plugs	27b
NYPO, XLPO	Push -On Breather	28b
NYPF, LDP	Push Fit Breathers & Dipsticks	29b
PBF, PBT	Nylon Tank Top Breather	30b
DB	Desiccant Breathers	31b
LLG, T-LLG	Sight Level Gauge (3,5)	32b
LLG, T-LLG	Sight Level Gauge (10)	33b
ELG, T-ELG	Extended Level Gauge	34b
550	Fluid Level Gauge	35b
LSW	Sight Glasses	36b
LSG, LSD	Sight Windows	37b
ASW, SLP	Sight Windows	38b
LRB	Rubber Bushings	39b
TC	Tank Cleanout Covers	40b
SF, RF	Reservoir Flanges (Suction & Return)	41b
MDP, AMDP, TMA	Magnetic Plugs	42b
1000, 2000	Slim Line Magnetic Tank Cleaners	43b
3000, 4000	Multi Magnet Tank Cleaners	44b
LHBV	High Pressure Ball Valves	45b
LPBV	Low Pressure Ball	46b
ABV	Air Bleed Valves	47b
W43	Port Flanges	48b
W4, W59, W72	Port Flanges	49b
W31	Port Flanges	50b
SF, SFX	Port Flanges	51b
NOTES, TECH BULL		52b





BAYONET CAP OPTIONS



XL SERIES



NY SERIES

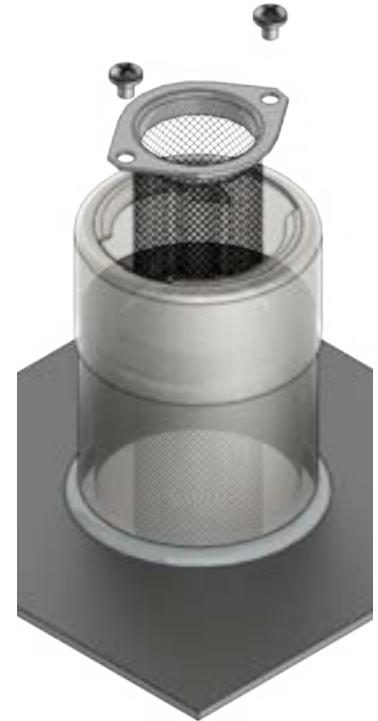
FCS-557 SERIES



FCS-537 SERIES



LGB SERIES



2" to 13" STAINLESS SCREEN



BLACK POWDER COATED
 Catalog page 5b
 Weather-proof application
 Example when ordering:
 BPC-57-XL-40



LOCKING CAPS
 Catalog page 5b
 Prevents tampering with equipment
 Example when ordering:
 LC-57-XL-40 / LD-57-XL-40



PRESSURIZED BREATHER
 Catalog page 6b
 3, 5, 10 P.S.I. double valve
 Example when ordering:
 57-XL-40-P5



3" & 1.5" HIGH NECK FLANGE
 Catalog page 3b
 Oil containment application
 Example when ordering:
 5-1.5HN, 5-3HN



WELD RISER
 Catalog page 4b
 Raises filler breather 1"
 Example when ordering:
 LWR-1



HYDRAULIC WELD NECKS
 Catalog page 11-12b
 Weld on neck allows for mounting breather
 Example when ordering:
 LC-HYD-405-4.5 \ HYD-125



ANTI-SPLASH BREATHER
 Catalog page 5b
 Oil containment application
 Example when ordering:
 AS-57-XL-40



BREATHERS WITH DIPSTICKS
 Catalog page 5b
 Allows for checking oil level
 Example when ordering:
 57-XL-40-DIP / BPC-57-XL-40-DIP



NON VENT BREATHER
 Catalog page 8b
 Non breathing cap
 Example when ordering:
 FCS-557



SIDE MOUNT BREATHER
 Catalog page 4b
 Allows mounting breather on side of reservoir
 Example when ordering:
 SM-57-XL-40



NYLON FILLER BREATHER
 Catalog page 9b
 Bayonet non metal cap
 Example when ordering:
 NY-B-40



BAYONET FILTER BREATHER
 Catalog page 10b
 Bayonet filter breather
 Example when ordering:
 LGB-B12-10-3-30



6 Bolt bayonet Flange

These SAE J829 tank mounted filler breathers are used as a fill port on reservoirs. Lenz breathers filter out contaminants when filling the reservoir, and airborne contaminants as the system is operating. Over the next few pages Lenz offers various components you can select when designing your filler breather assembly.

Bayonet Filler Breather Components

Steel Zinc Plated or Epoxy coated flanges

- SAE J829 mounting flange
- 1/2" height, (5 flange)
- 1 1/2" height, (5-1.5 HN)
- 3" height, (5-3 HN)

Stainless Steel Baskets (304 S.S)

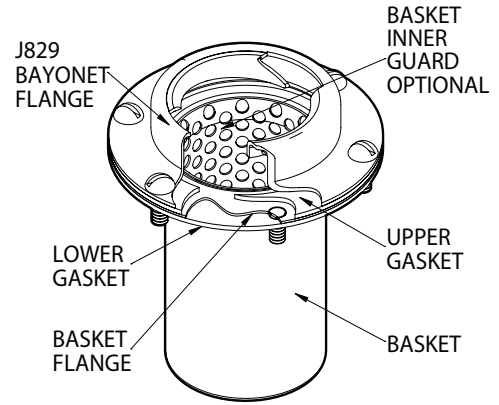
- 7-2-30 2" O.A.L. 30 mesh stainless screens
- 7-3-30 3" O.A.L. 30 mesh stainless screens
- 7-3-100 3" O.A.L. 100 mesh stainless screens
- 7-6-30 6" O.A.L. 30 mesh stainless screen
- 7-6-100 6" O.A.L. 100 mesh stainless screen
- 7-8-30 8" O.A.L. 30 mesh stainless screen
- 7-8-100 8" O.A.L. 100 mesh stainless screen
- 7-13-30 13" O.A.L. 30 mesh stainless screens

Nylon Basket

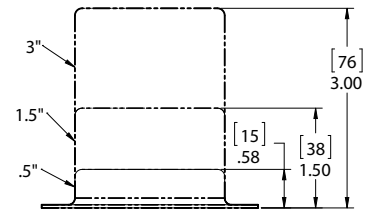
- 7-N 3.8" O.A.L. 30 mesh polypropylene screens

Basket Inner Guards

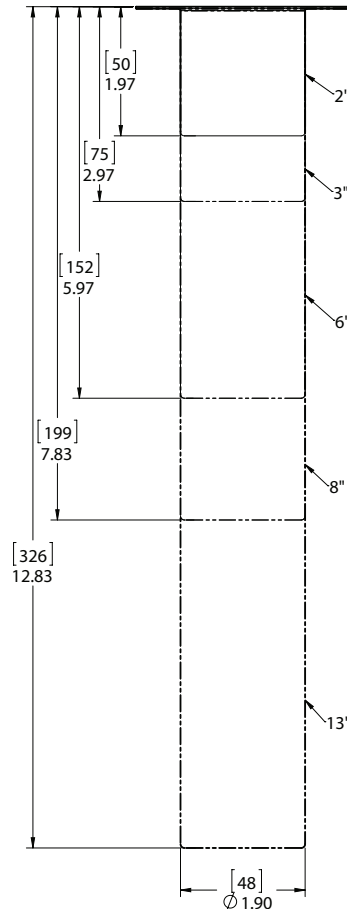
- Steel perforated metal
- 7-3 inner guard 3" basket
- 7-6 inner guard 6" basket
- 7-8 inner guard 8" basket
- 7-13 inner guard 13" basket



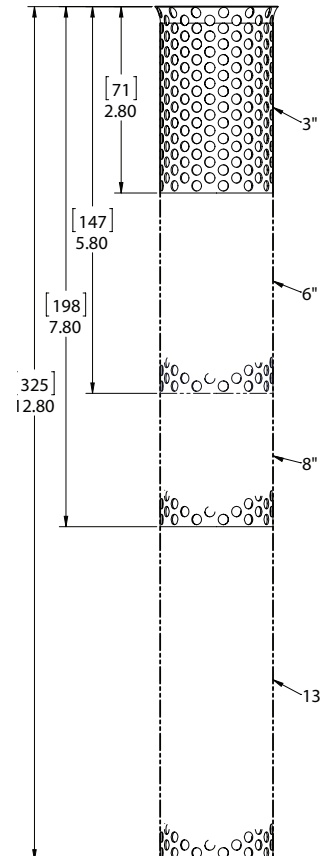
BAYONET FLANGE



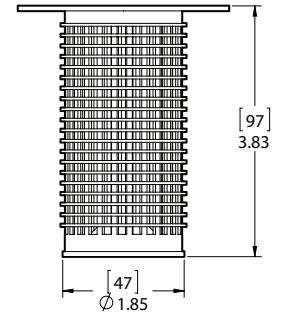
STAINLESS BASKETS



BASKET INNER GUARD



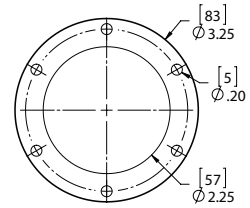
NYLON BASKET





Bayonet Gaskets

- Cork-rubber flange gaskets (8 cork gasket)
- Buna rubber flange gaskets (8 buna gasket)
- Cork-rubber tab gasket (XL gasket cork)
- Buna rubber tab gasket (XL gasket buna)



Bayonet Screws

- 10-24 x 1/2" steel zinc finish self thread forming #9 screws (qty.6)
- 10-32 x 1/2" steel zinc finish slotted round head machine screw
- 10-24 x 1/2" stainless 18-8 self thread forming screw



Side Mount Filler Cap Assemblies

Filler Strainer Breather Model SM

Filters, Breathes and Strains - Makes hydraulic fuel tank customizing easier. Designed for use on tanks that require filling from the end or side. Choice of standard or weather-proof cap (same as Model FCS) at no extra charge.

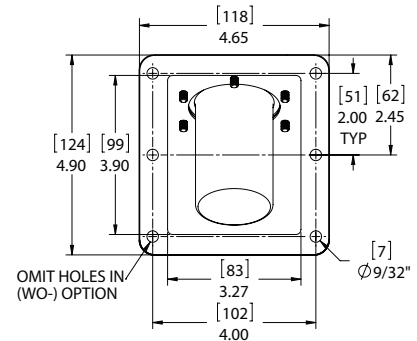
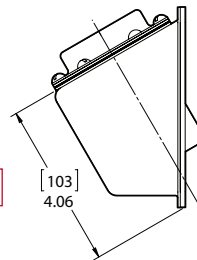
Fully assembled and ready to mount. Includes instructions and template. May also be welded directly to side of reservoir.

LENZ Quality Standards - Heavy-duty design, one-piece housing is of steel. Six bolts with nuts and seals and mounting gasket are included. All other components and specifications are identical to those for LENZ Standard FCS Model or 57XL (Page 1b). Zinc or black powder coated oxide finish optional at additional cost. Separate housings, SMW unplated, are also available.

BOLT-ON OPTION



WELD-ON OPTION UNPLATED



Assembly Ordering Code

SM - AS - 57XL - 40 - 3 - 100 - 3 HN

Omit	(Standard)
SM	Side Mount
WO-SM	Weld On

CHOOSE THE DESIRED STYLE
FILLER BREATHER CAP

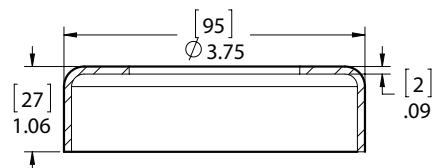
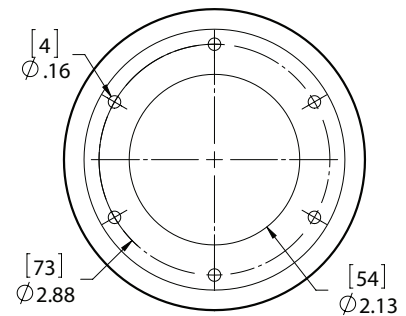
57-XL Series Ordering Code, see page 3b
FCS 557 Series Ordering Code, see page 6b
FCS 537 Series Ordering Code, see page 5b
NY-B Series Ordering Code, see page 7b
LGB Series Ordering Code, see page 8b

Only the 3" Stainless basket can be used with the SM series.

Weld Neck Risers

Model LWR

The "LWR" series Weld Neck Risers are designed to raise filler breather assemblies up to 1" above the surface of the tank top. This low cost riser eliminates costly repairs brought on by contamination and water being swept into the reservoir.



MODEL	MATERIAL	HEIGHT
LWR-1	Steel	1 1/16"
LWR-1-ALUM	Aluminum	1 1/16"
LWR-1-SS	304 Stainless Steel	1 1/16"



Bayonet Filler Breather Caps

Model 57 Series

- Maximum flow rate 35 CFM, 250 GPM @.58 PSI
- Steel shell nickel chrome or black powder coated
- 10 or 40 micron foam filtration
- 3 micron phenolic resin impregnated paper
- 3"-30 mesh SS basket standard
- SAE J 829 steel zinc plated mounting flange
- Tether chain and retaining ring standard
- Cork-rubber gaskets standard
- 10-24 x 1/2" thread forming screws standard
- Operating temperature -22F to +212 F (-30C to +100C)
- Compatible with petroleum and mineral based fluids



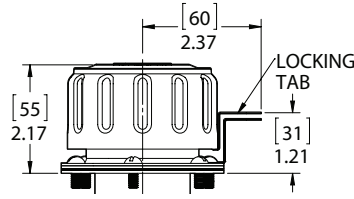
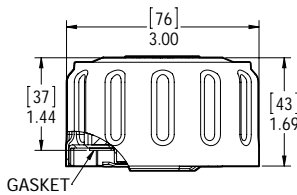
57XL-40



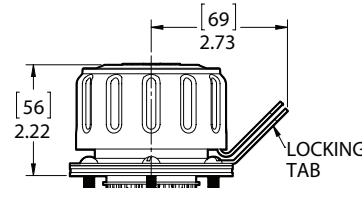
BPC-57XL-4N

Options

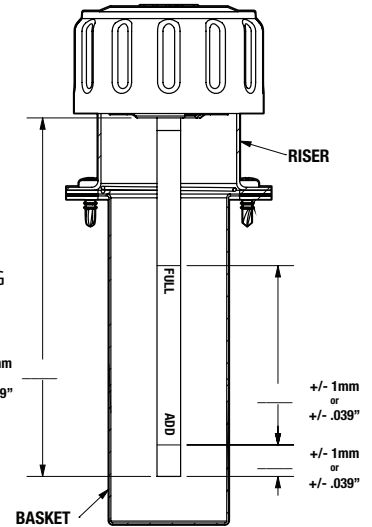
- Anti splash
- Dipsticks
- Lock tab



LD OPTION



LC OPTION



Dipstick Ordering

Assembly Ordering Code

AS — 57-XL — 40 — N — *

Omit	Zinc/Sealer (Standard)
LC	Locking Cap
ISO	Oil Drop Symbol
AS	Anti-Splash
BPC	Black Powder Coat (Coated Cap/Flange)
LD	90 Degree Lock Tab
SM	Sidemount
UNP-SMW	Weld On Sidemount

57-XL Assembly

40	40 Micron
10	10 Micron
3	3 Micron

Omit	3"-30 Mesh (Standard)
2-30	2"-30 Mesh
3-100	3"-100 Mesh
6-30	6"-30 Mesh
6-100	6"-100 Mesh
8-30	8"-30 Mesh
8-100	8"-100 Mesh
13-30	13"-30 Mesh
N	3.8" 30 Mesh

Omit	None
10-32	10-32 Screws
LCH	Less Chain
BUNA	Rubber Gasket
1.5 HN	1.5" High Neck
3 HN	3" High Neck
DIP	Dipstick (Specify Length)
IG3	3" Inner Gaurd
IG6	6" Inner Gaurd
IG8	8" Inner Gaurd
IG13	13" Inner Gaurd

Full, Add, Low, Marks Available
Custom Lengths available

Cap Only Ordering Code

AS — 40XL — LCH

Omit	Zinc/Sealer (Standard)
LC	Locking Cap
ISO	Oil Drop Symble
AS	Anti-Splash
BPC	Black Powder Coat (Coated Cap/Flange)
LD	90 Degree Lock Tab

40XL	40 Micron
10XL	10 Micron
3XL	3 Micron

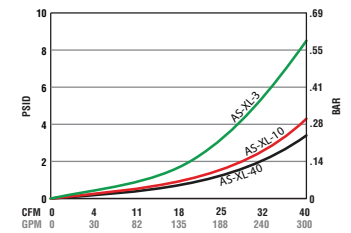
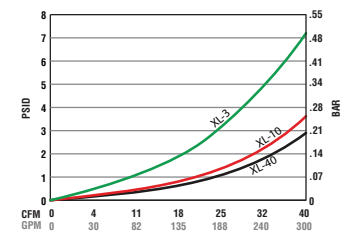
Omit	None
LCH	Less Chain
BUNA	Rubber Gasket
DIP	Dipstick (Specify Length)



40XL



BPC-40XL





Bayonet Filler Breather Caps

Model 57 Series Pressurized

- Maximum flow rate 35 CFM, 250 GPM @.58 PSI
- Steel shell nickel chrome or black powder coated
- 10 or 40 micron foam filtration
- 3"-30 mesh SS basket standard
- SAE J 829 steel zinc plated mounting flange
- Tether chain and retaining ring standard
- Cork-rubber gaskets standard
- 10-24 x 1/2" thread forming screws standard
- Operating temperature -22F to +212 F (-30C to +100C)
- Compatible with petroleum and mineral based fluids



Photo illustrates P5 Valve

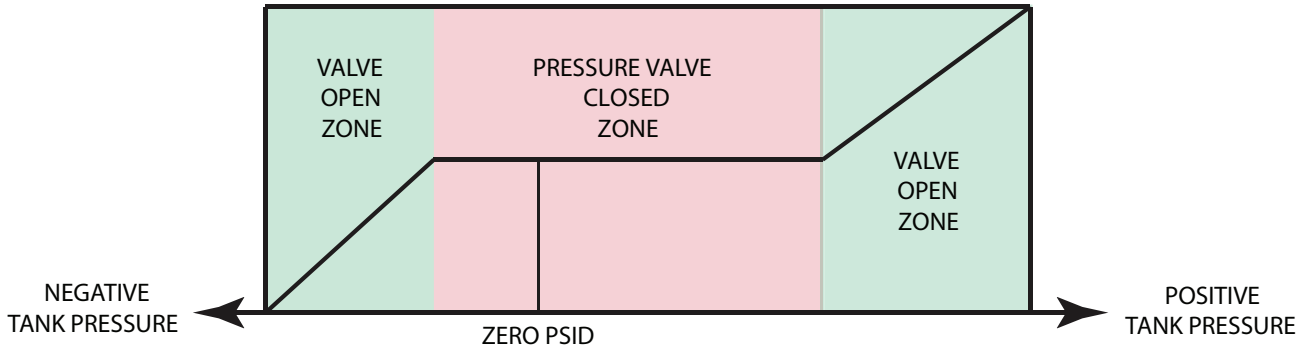
57XL-40-P5

BPC-57XL-40-P5

Options:

- Dipsticks
- Lock tab

SEE Page 5b for dimension information



Assembly Ordering Code

* — 57-XL — 40 — P3 — 6-30 — 3 HN

Omit	Zinc/Sealer (Standard)
LC	Locking Cap
ISO	Oil Drop Symbol
AS	Anti-Splash
BPC	Black Powder Coat (Coated Cap/Flange)
LD	90 Degree Lock Tab

57-XL Assembly	
----------------	--

40	40 Micron
10	10 Micron
3	3 Micron

P3	3 PSI
P5	5 PSI
P10	10 PSI

Omit	3"-30 Mesh (Standard)
2-30	2"-30 Mesh
3-100	3"-100 Mesh
6-30	6"-30 Mesh
6-100	6"-100 Mesh
8-30	8"-30 Mesh
8-100	8"-100 Mesh
13-30	13"-30 Mesh
N	3.8" 30 Mesh

Omit	None
10-30	10-32 Screws
LCH	Less Chain
BUNA	Rubber Gasket
1.5 HN	1.5" High Neck
3 HN	3" High Neck
DIP	Dipstick (Specify Length)
IG3	3" Inner Gaurd
IG6	6" Inner Gaurd
IG8	8" Inner Gaurd
IG13	13" Inner Gaurd

Full, Add, Low, Marks Available
Custom Lengths available

Cap Only Ordering Code

BPC — 40XL — P5 — 1.5 HN

Omit	Zinc/Sealer (Standard)
LC	Locking Cap
ISO	Oil Drop Symble
AS	Anti-Splash
BPC	Black Powder Coat (Coated Cap/Flange)
LD	90 Degree Lock Tab

40	40 Micron
10	10 Micron
3	3 Micron

P3	3 PSI
P5	5 PSI
P10	10 PSI

Omit	None
LCH	Less Chain
BUNA	Rubber Gasket
DIP	Dipstick (Specify Length)

See Technical Bulletin TA.TB10.708 for further information at (Technical Data - www.lenzinc.com).



Bayonet Filler Breather Caps

Model 537 Series

- Maximum flow rate 26.7 CFM, 200 GPM @.58 PSI
- Steel shell nickel chrome or black powder coated
- 10 or 40 micron foam filtration
- 3"-30 mesh SS basket standard
- SAE J 829 steel zinc plated mounting flange
- Cork-rubber gaskets standard
- Tether chain and retaining ring standard
- 10-24 x 1/2" thread forming screws standard
- Operating temperature -22 F to +212 F (-30C to +100C)
- Compatible with petroleum and mineral based fluids.

Options

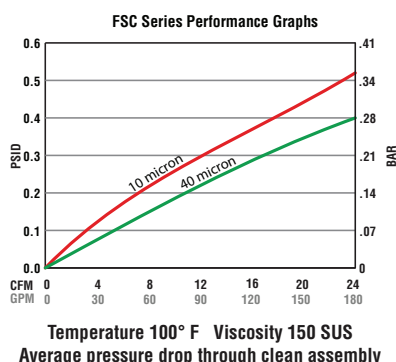
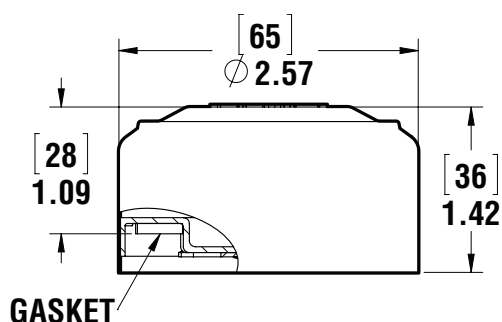
- Dipsticks



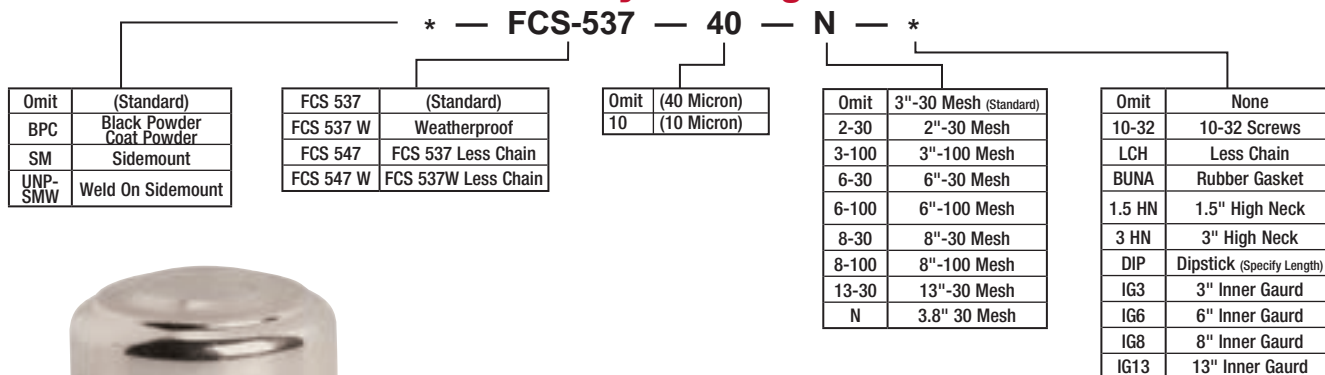
FCS-537



FCS-537-W



Assembly Ordering Code

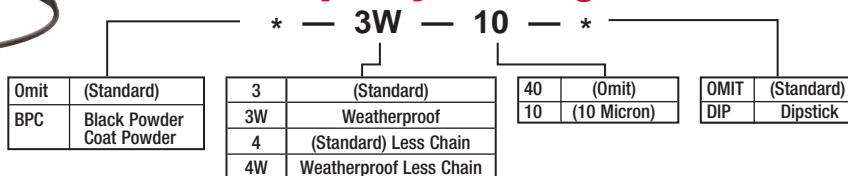


Full, Add, Low, Marks Available
Custom Lengths available

Cap Only Ordering Code



3W CAP



3 CAP



Bayonet Filler Breather Caps

Model 557 Series

- Steel zinc plated or epoxy coated caps
- Non vent
- Diamond knurled edge
- 30 mesh SS basket standard
- SAE J 829 steel zinc plated mounting flange
- Cork-rubber flange gaskets standard
- Buna tab gasket standard
- Tether chain and retaining ring standard
- 10-24 x 1/2" thread forming screws standard
- Operating temperature -22 F to 212 F (-30C to +100C)
- Compatible with petroleum and mineral based fluids



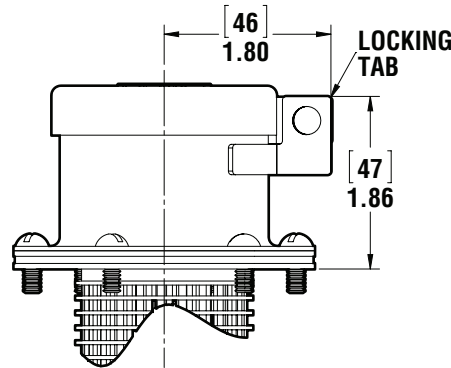
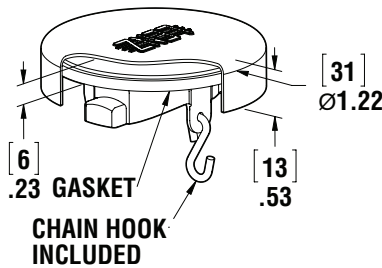
FCS-557



LT 5NV / LT-1.3

Options

- Vented cap (2) .06 vent holes
- Ethanol seal available for cap



LOCKING OPTION ONLY
1.5 HN / 3 HN

Assembly Ordering Code

* — FCS — 557 — N — *

Omit	(Standard)
BPC	Black Powder
LT	Lock Tab
SM	Sidemount
UNP-SMW	Weld on Sidemount

FCS 557	Non Vent
FCS 557 V	Vented

Omit	3"-30 Mesh (Standard)
2-30	2"-30 Mesh
3-100	3"-100 Mesh
6-30	6"-30 Mesh
6-100	6"-100 Mesh
8-30	8"-30 Mesh
8-100	8"-100 Mesh
13-30	13"-30 Mesh
N	3.8" 30 Mesh

Omit	None
10-32	10-32 Screws
BUNA	Rubber Gasket
1.5 HN	1.5" High Neck
3 HN	3" High Neck
IG3	3" Inner Gaurd
IG6	6" Inner Gaurd
IG8	8" Inner Gaurd
IG13	13" Inner Gaurd

Full, Add, Low, Marks Available
Custom Lengths available

CARB/EPA COMPLIANT FILLER CAPS

The Lenz 5 Series Viton cap is CARB/EPA compliant. The all steel construction cap is equipped with the Viton gasket which prevents fluid permeation. The positive stop 1/4 turn bayonet design provides physical feedback that a seal has been established and negates the need for an audible feedback requirement required on threaded caps. Our chain which is specified on the neck allows the cap to be tethered to the fill neck as a part of the tank. The Lenz Viton gasket is compatible with most fues and fluids and provides a good fuel vapor seal.



Cap Only Ordering Code

* — 5NV — *

Omit	(Standard)
BPC	Black Powder
LT	LOCK TAB

5NV	Non-Vented
5V	Vented

LCH	Less Chain
*E	Ethanol Seal



Bayonet Filler Breather Caps

Model NY-B, SS-NY-B Series

- Maximum flow rate 35 CFM, 250 GPM @.58 PSI
- Nylon cap PA 66
- 10 or 40 micron foam filtration
- 3"-30 mesh SS basket standard
- SAE J 829 steel zinc plated mounting flange
- Tether chain and retaining ring standard
- Buna gaskets standard
- Operating temperature -22F to +212 F (-30C to +100C)
- Compatible with petroleum and mineral based fluids
- Stainless steel bayonet tab
- 10-24 x 1/2" thread forming screws standard

Option

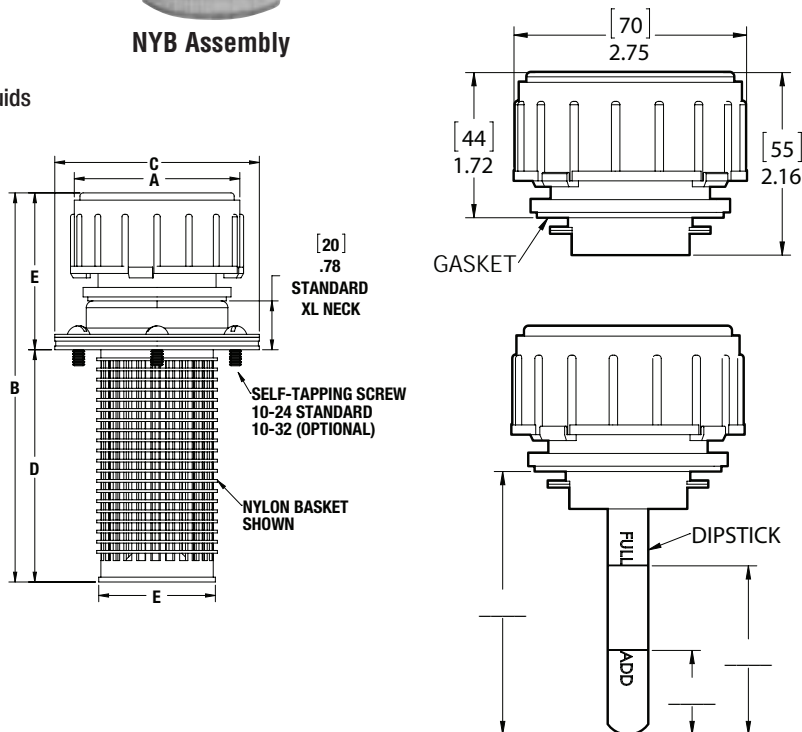
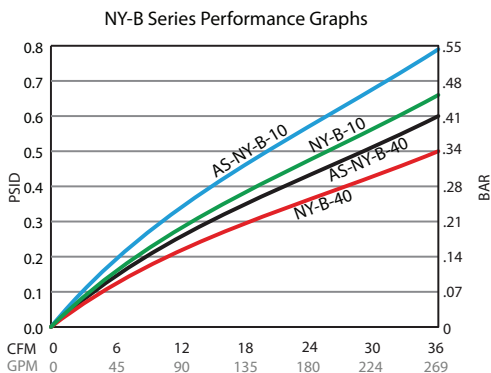
- Stainless steel tab and hardware for water based fluids
- Anti splash
- Pressurized double valve
- Dipsticks



NYB Assembly



NYC-B-D



Assembly Ordering Code

* — NY-B — 40 — * — * — *

OPTIONS	
OMIT	Standard
SM	SIDE MOUNT
AS	ANTISPLASH
SS	STAINLESS STEEL
ISO	OIL SYMBOL
UNP	
SMW	WELD ON SIDE MOUNT

SERIES
NY-B

FILTER	
10	10 MICRON
40	40MICRON

DOUBLE VALVE	
OMIT	NO VALVE
P1.5	1.5 PSI
P5	5 PSI

Omit	3"-30 Mesh (Standard)
2-30	2"-30 Mesh
3-100	3"-100 Mesh
6-30	6"-30 Mesh
6-100	6"-100 Mesh
8-30	8"-30 Mesh
8-100	8"-100 Mesh
13-30	13"-30 Mesh
N	3.8" 30 Mesh

Omit	None
10-32	10-32 Screws
LCH	Less Chain
BUNA	Rubber Gasket
1.5 HN	1.5" High Neck
3 HN	3" High Neck
DIP	Dipstick (Specify Length)
IG3	3" Inner Gaurd
IG6	6" Inner Gaurd
IG8	8" Inner Gaurd
IG13	13" Inner Gaurd

Dipstick Ordering

Cap Only Ordering Code

* — NYC-B — 40 — * — *



NY-C-B

OPTIONS	
OMIT	
AS	ANTISPLASH
SS	STAINLESS STEEL

SERIES
NYC-B

FILTER	
10	10 MICRON
40	40MICRON

DOUBLE VALVE	
OMIT	NO VALVE
P1.5	1.5 PSI
P5	5 PSI

OPTIONS	
LCH	LESS CHAIN
DIP	DIPSTICK
BUNA	RUBBER GASKET



Bayonet Filler Breather Caps

Model LGB-B Series

- Maximum flow rate 68 CFM, 576 GPM @ .18 PSI
- Steel canister
- 3 or 10 micron phenolic resin impregnated paper
- Nylon bayonet adaptor B-12, B-752
- Aluminum adaptor B-128
- 3"-30 mesh SS basket standard
- SAE J 829 steel zinc plated mounting flange
- Buna tab gaskets standard
- Cork-rubber flange gaskets standard
- 10-24 x 1/2" thread forming screws standard
- Operating temperature -22F to +212 F (-30C to +100C)
- Compatible with petroleum and mineral based fluids



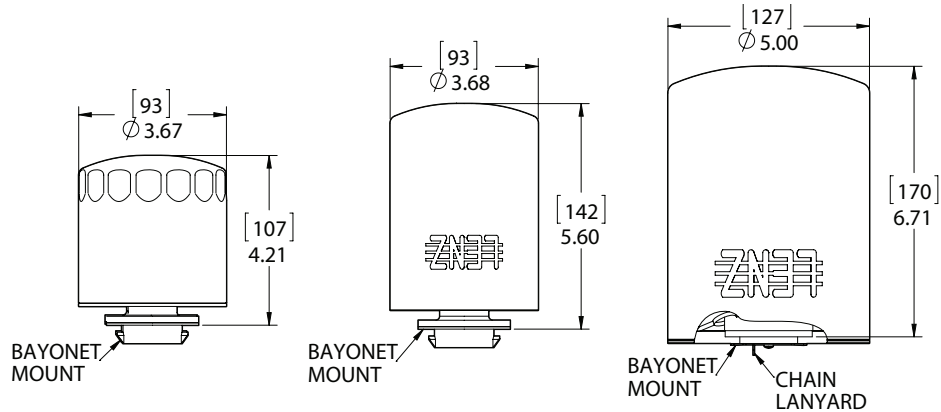
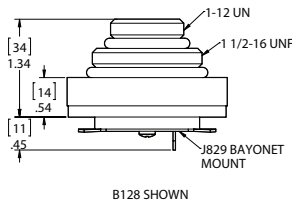
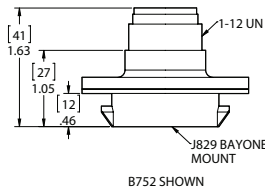
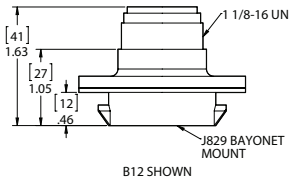
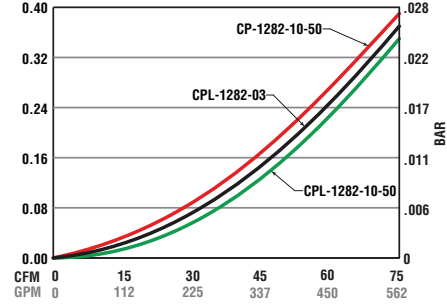
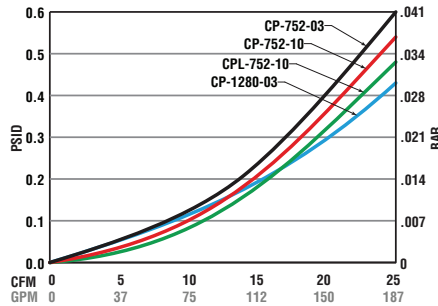
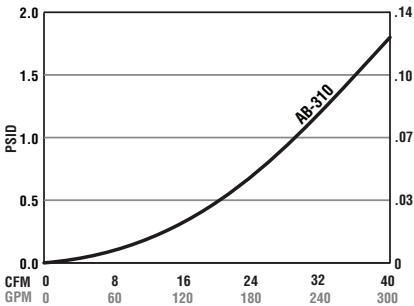
LGB-B12-10
(Replacement Breather)



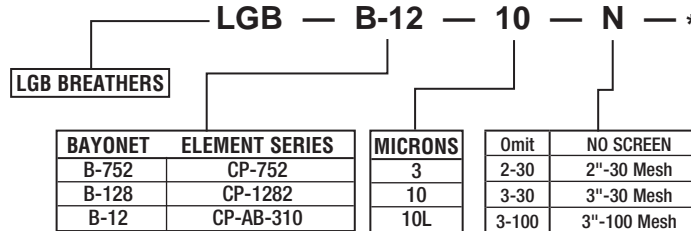
LGB-B752-10



LGB-752-10 -3-30



Assembly Ordering Code



Omit	None
10-32	10-32 Screws
LCH	Less Chain
BUNA	Rubber Gasket
1.5 HN	1.5" High Neck
3 HN	3" High Neck
IG3	3" Inner Gaurd
IG6	6" Inner Gaurd
IG8	8" Inner Gaurd
IG13	13" Inner Gaurd

MODEL	RATED CFM	RATED GPM	BAYONET ADAPTOR
CP-AB-310	40	300	B-12
CP-752-03	15	113	B-752
CP-752-10	17	127	B-752
CPL-752-10	18	134	B-752
CP-1282-03-50	51	382	B-128
CPL-1282-03-50	58	433	B-128
CP-1282-10-50	54	405	B-128
CPL-1282-10-50	68	576	B-128



Hydraulic Filler Necks

LENZ Hydraulic Filler Caps & Necks are fabricated of heavy gauge steel with an optional stainless steel screen. Caps are available in standard or lockable, non-vented or vented.

Hydraulic Fill Necks

HYD Series-Hydraulic Applications

- 16 gauge (.060") steel not plated
- Tube extension .12" wall thickness, 2.21" diameter
- Standard 1.3", 3", 6" & 8" length tube extension
- Tube extension not plated / Safety chain standard on cap
- SAE J829 Mounting Flange

Options

- Stainless steel, aluminum available (25 Piece Minimum)
- Angle tube cutoffs / lockable tab available
- Stainless steel screen std. 4.5" 40 mesh
- Overflow tube available
- Threaded & flanged connection available
- SR option is neck with screen retainer, to allow neck to be welded, order screen separately if required
- 4.5 option the screen is assembled to the neck



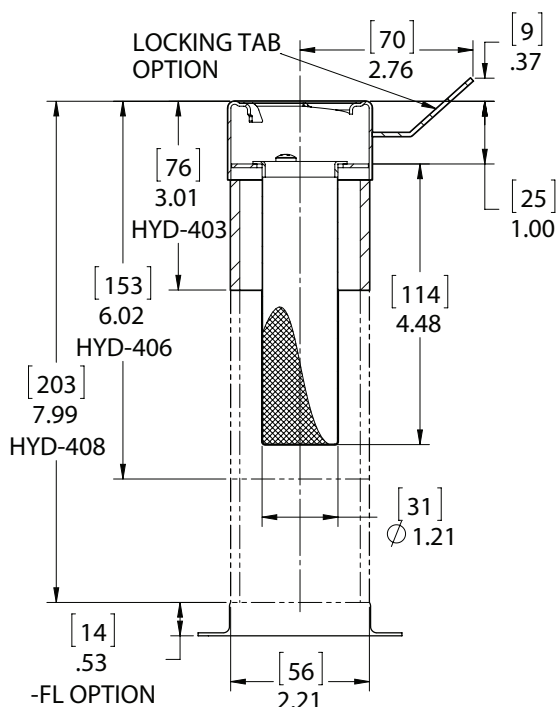
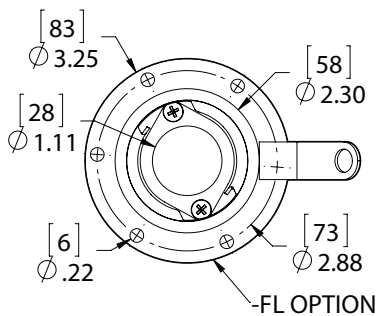
HYD-406
(Neck Only / Caps Ordered Separately)



LC-HYD-406
(Neck Only / Caps Ordered Separately)



HYD-408-FL



Neck Ordering Code

LC — ALUM — HYD — 406 — 4.5

LOCK	OPTIONAL
OMIT	NO TAB
*LC	LOCK TAB

MATERIAL	
OMIT	STEEL
ALUM	ALUMINUM

SERIES
HYD

NECK LENGTH
1.31.25"
403 3"
406 6"
408 8"
4** SPECIFY

OPTIONS	
SR	SCREEN RETAINER
4.5	INSTALLED SCREEN
52	ANGLE OF CUT
FL	FLANGE

*Locking Tab for XL series caps only.

" Our customers have suggested that we offer necks, caps, and screens separately because of the need to weld and paint some items. If you want to order a completely assembly consult the factory for part numbers. "

Stainless Steel, The neck is 321 deep drawing 2b or 2d per mll-S-6721
The tube is 302/304 Stainless per ASTM-A269/249
Aluminum neck is 3003-0 Tempered



Hydraulic Weld Risers

Lenz weld risers are drawn of heavy gauge steel with optional lock tab, and caps are available with lock, non-vent and vented versions

HYD Series

- SAE J 829 weld on neck
- 16 gauge (.060) steel not plated 2.28 diameter
- 1.25", 2.7" standard straight cut lengths

Options

- The stainless steel neck is 321 deep drawn 2B or 2D per MIL-S-6721 (25 pc minimum) 1.25" high
- The aluminum neck is 3003-0 Tempered (25 pc. minimum) 1.25" high
- lock tab available
- Weld bead available 1.25" high
- Threaded 2.312-18 UNF thread 1.25" high



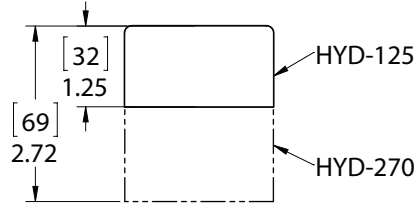
HYD-125
BEAD



HYD-125



HYD-125-Alum



HYD-270

Weld Riser Ordering Code

HYD — 125 — *

SERIES		NECK HEIGHT		MATERIAL	
HYD		125		OMIT	STEEL
		270		*ALUM	*ALUMINUM
				*SS	*STAINLESS
				*BEAD	STEEL WELD BEAD

* HYD-125 model only

Screen Ordering Code

HYD — 4.5

SERIES	LENGTH
HYD	4.5"

Specs

- 40 mesh screen
- 4.5" overall length
- 1.25" diameter
- 2 bolt mounting to screen retainer
- (2) 6-32 x 3/8" P.H.M.S. included with screen



HYD-4.5



ex. HYD-403-4.5

(Neck Only / Caps Ordered Separately)
Shown with 5NV Cap



ex. HYD-403-4.5

(Neck Only / Caps Ordered Separately)
Shown with BPC-40XL Cap

CAP + Neck Ordering Code

LC — ALUM — HYD — 406 — 4.5 — AS — NYC-B — P3 — DIP

LOCK	OPTIONAL
OMIT	NO TAB
*LC	LOCK TAB

MATERIAL	
OMIT	STEEL
ALUM	ALUMINUM

SERIES
HYD

NECK LENGTH	
1.3	1.25"
403	3"
406	6"
408	8"
4**	SPECIFY

OPTIONS	
SR	SCREEN RETAINER
4.5	SCREEN INSTALLED
52	ANGLE OF CUT
FL	FLANGE
LCH	LESS CHAIN

CHOOSE THE DESIRED STYLE
FILLER BREATHER CAP

57-XL Cap Ordering Code, See Page 3b
FCS 557 Cap Ordering Code, See Page 6b
FCS 537 Cap Ordering Code, See Page 5b
NY-B Cap Ordering Code, See Page 7b
LGB Cap Ordering Code, See Page 8b

*Locking Tab for XL series caps only.

Stainless Steel, The neck is 321 deep drawing 2b or 2d per mil-S-6721

The tube is 302/304 Stainless per ASTM-A269/249

Aluminum neck is 3003-0 Tempered

See Technical Bulletin TB.TA03.708, TB.TA .708 and TB.TA .708 for further information at (Technical Data - www.lenzinc.com).



Diesel Filler Necks

Lenz diesel fill necks are fabricated from heavy gauge steel. With 1 optional lock tab, stainless steel fill screens available. The caps can be ordered in vented or non-vent, with optional lock tab, each having a diaphragm or deflector to reduce spillage.

Diesel Fill Necks

HDF Series-Diesel Fuel Applications

- 16 gauge (.060") steel
- Tube extension .12" wall thickness, 2.6" O.D.
- 1.3", 3", 6", 8" standard straight cut lengths
- Chain anchor is in the neck, and chain is shipped with neck

Options

- Stainless steel, aluminum available (25 Piece minimum)
- Lock tab available
- Overflow tube
- Threaded 2" NPT connection
- 52 angle cut (25 piece minimum)
- 20 or 40 mesh 4.5" length fill screens recommended to be ordered separately in order to allow for welding and powder coating of neck
- SR option is required when ordering to allow for screen to be used
- 4.5 option code means screen will be assembled at factory
- Fuel Flapper, with Fuel Flapper Screen not available



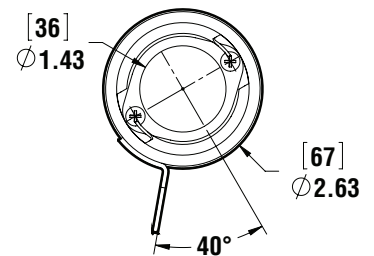
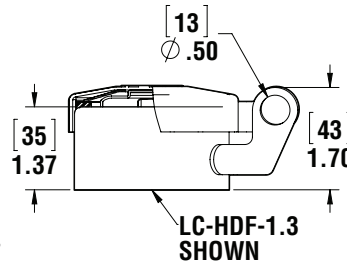
HDF-606-4.5



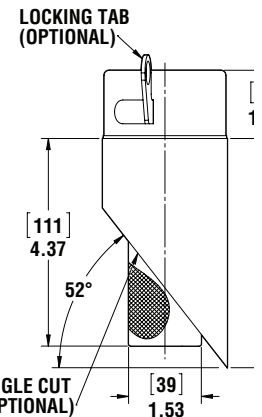
LC-HDF-606-4.5



LC-HDF-606-52-OF



MODEL NUMBER	Length A	
	IN	MM
HDF-1.3	IN	See Drawing
HDF-603	IN	3"
	MM	76
HDF-606	IN	6"
	MM	152
HDF-608	IN	8"
	MM	204
HDF-6**	IN	Custom Length
	MM	



" Our customers have suggested that we Offer necks, caps, and screens separately because of the need to weld and paint some items. If you want to order a completely assembly consult the factory for part numbers. "

Neck Ordering Code

LC - SS - HDF - 603 - 52 - 4.5 - 20M - SR



OMIT	STANDARD
LC	LOCKING TAB

MATERIAL	
OMIT	STEEL
*ALUM	ALUMINUM

SERIES
HDF

NECK LENGTH	
1.3	1.37" NECK (NO SR OPTION)
603	3" NECK
606	6" NECK
608	8" NECK
6**	SPECIFY

OTHER OPTIONS	
OMIT	NO ADDED OPTIONS
SR	SCREEN RETAINER
OF	OVERFLOW TUBE
FL	FLAPPER

SCREEN MESH	
OMIT	40 MESH
20M	20 MESH

SCREEN	
OMIT	NO SCREEN
4.5	SCREEN INSTALLED

ANGLE	
OMIT	Straight
52	52° Angle

*Minimum quantity required consult LENZ.



HDF-1.3 Series

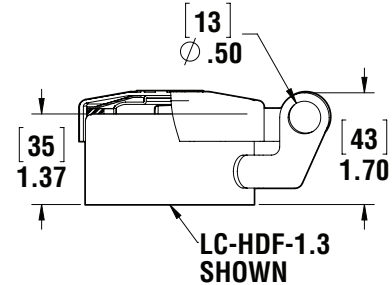
- 16 gauge (.060) steel
- 1.3" standard length
- Chain anchor is in the neck, and chain is shipped with neck

Options

- Lock tab available
- 20 or 40 mesh 4.5" length fill screens recommended to be ordered separately in order to allow for welding and powder coating of the neck
- SR option is required when ordering to allow for screen to be used
- 4.5 option code means screen will be assembled at factory



LC-HDF-1.3



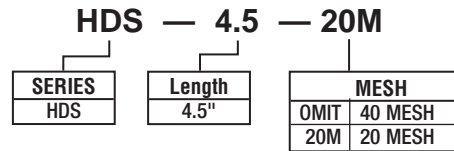
Diesel Fill Screen

- 20 or 40 mesh available
- 4.5" long, 1.52" diameter
- 2 bolt flange for mounting to neck
- (2) 6/32 x 3/8" P.H.M.S. included with screen



HDS-4.5-20M

Screen Ordering Code



6 Series

Diesel Fill Caps

- Steel zinc plated standard
- Vented or non vented available
- Buna gasket standard
- Optional Viton gasket
- Green Powder cap optional
- S-Hook comes standard on cap

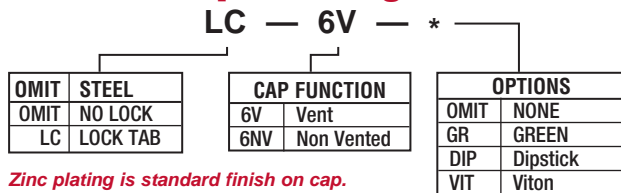


LC-6NV



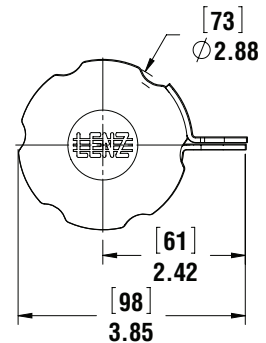
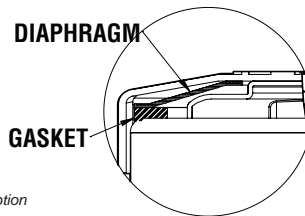
6V

Cap Ordering Code



Zinc plating is standard finish on cap.

25pc. Minimum on Dipstick Option



CARB/EPA COMPLIANT FILLER CAPS

The Lenz 6-NV-Viton cap is CARB/EPA compliant. The all steel construction cap is equipped with the Viton gasket prevents fluid permeation. The positive stop ¼ turn bayonet design provides physical feedback that a seal has been established and negates the need for an audible feedback requirement required on threaded caps. Our chain which is specified on the neck allows the cap to be tethered to the fill neck as a part of the tank. The Lenz Viton gasket is compatible with most fuels and fluids and provides a good fuel vapor seal.

See Technical Bulletin TB.TA04.708 and TB.TA17.708 for further information at (Technical Data - www.lenzinc.com).



EPA Sealed Emissions Caps & Necks

Model FC Cap & FN Series necks

- EPA carb compliant
- Anti-splash self closing flap on fuel neck available
- Tethered audible cap FC-1 SAE J1114 threads
- Tested to a positive 3.5 PSIG (24.5 KPA) or vacuum pressure of .1 PSIG (.7 KPA)
- No need to change the cutout openings in your fuel tank

Option

- Diesel version with open bottom available



FC-1 &
FN-270-FL



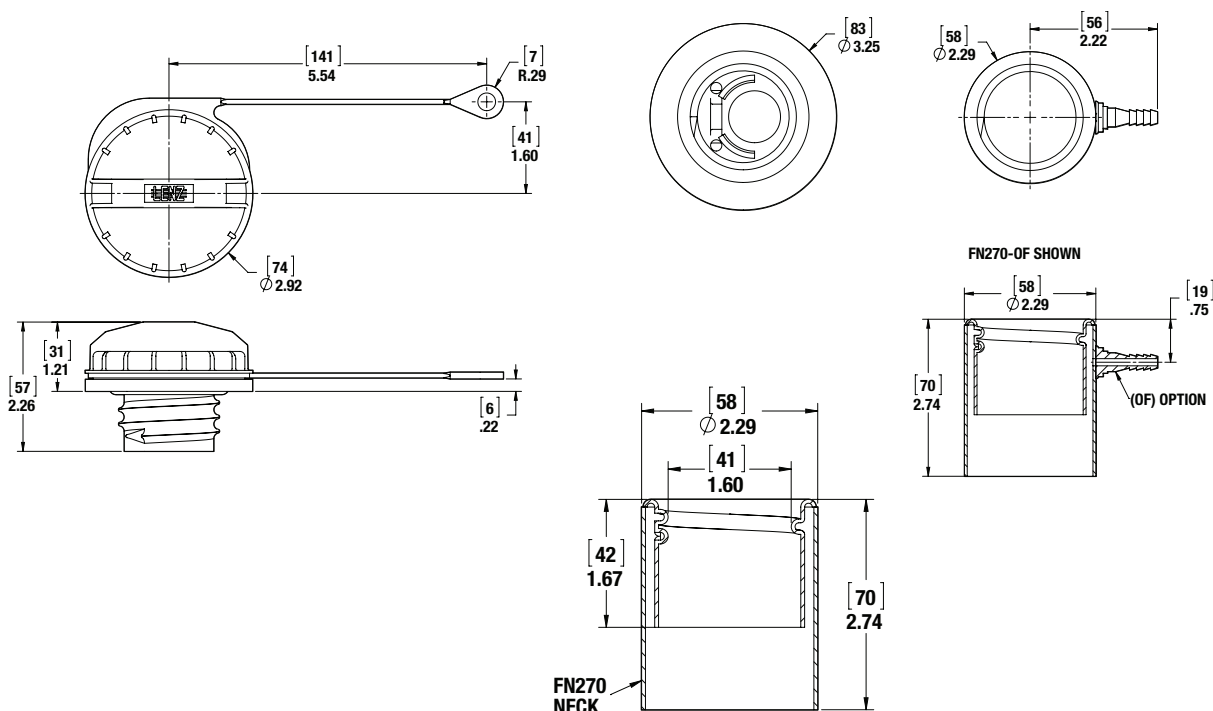
FN-270-FL



FC-1



DC-1



CARB (California Air Resource Board) SORE (Small Off-Road Engine) regulations Fuel Cap Performance Standards 40CFR 1060.245

- Fuel cap must be permanently tethered to the tank, equipment, or engine
- Fuel cap must be designed to provide physical and/or audible feedback to the user that a fuel tank vapor seal is established.
- Use a tethered or self closing gas cap on a fuel tank that stays sealed up to a positive pressure of 3.5 PSI or vacuum pressure of .1 PSI.
- The FC-1, DC-1 (ST-801 NYLON) tethered fuel caps have a low permeation Viton seal gasket which threads unto FN series necks and these two components become a part of the customer's C.A.R.B. tank system certification.
- The FN270-OF series of necks has 1/4" hose barb stem vent tube provision for adding hose for a carbon canister or other device.



Tank Top Filler Breather

Model ABS-40 / ABS-30

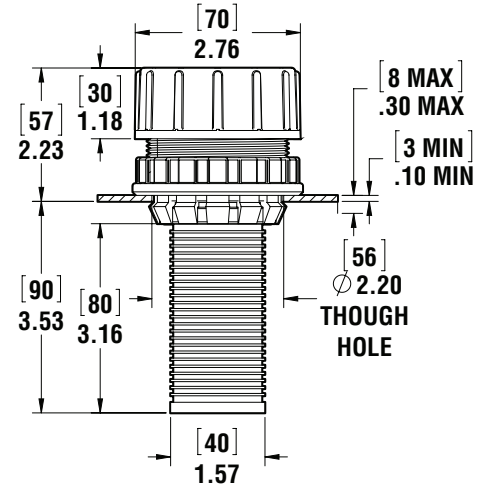
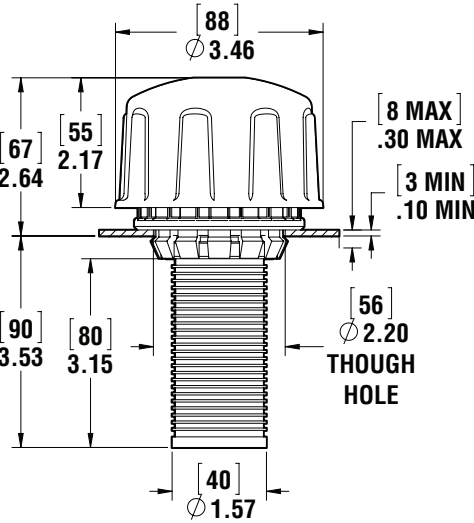
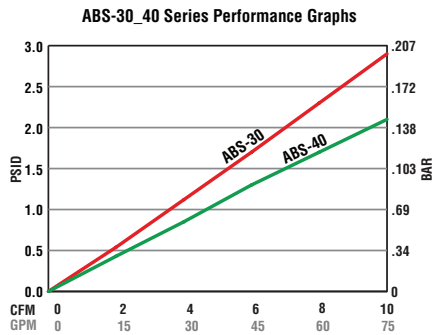
- Maximum flow rate 14 CFM and 105 GPM @.73 PSI (ABS-40)
- Maximum flow rate 1.2 CFM and 93 GPM @.73 PSI (ABS-30)
- PA66 nylon cap threads onto tank lock ring
- 50 micron foam filter filtration
- Operating temperature -4 F to + 194 F (-20 C to +90 C)
- Compatible with petroleum and mineral based fluids
- Tank top minimum .07" (2 mm) maximum .31" (8 mm)
- Tether chain standard
- Buna tank seal
- Tank hole cutout 2.16"-2.17"(55-55.3 mm)
- No mounting screws required



ABS-40



ABS-30



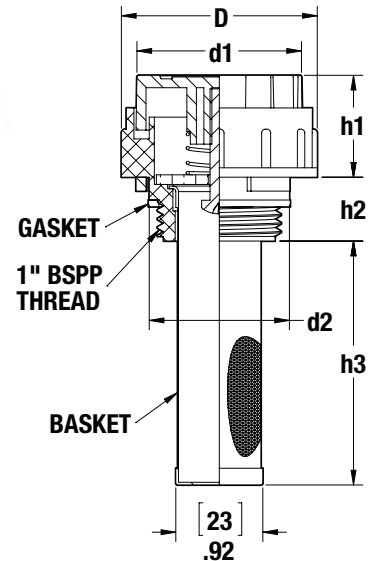
Filler Breather Threaded Mount-Screen

Model NY-B-2-300

- Maximum flow rate 7 CFM and 52 GPM @.73 PSI
- PA66 nylon cap threads onto tank lock ring
- 30 micron bronze filter
- Operating temperature -22 F to + 212 F (-30 C to +100 C)
- Compatible with petroleum and mineral based fluids
- 1" BSPP thread
- 50 mesh drop in steel basket
- Buna tank seal
- Twist off cap to fill the tank



Optional all stainless unit is available



Dimensional Detail

MODEL		D	d1	h1	h2	h3	D2
NY-B-2-300	IN	2.06	1.77	1.06	.67	2.56	1.48
	MM	52.5	45	27	17	65	37.7

Order WF-16B 1" BSPP thread for weld flange to install breather.



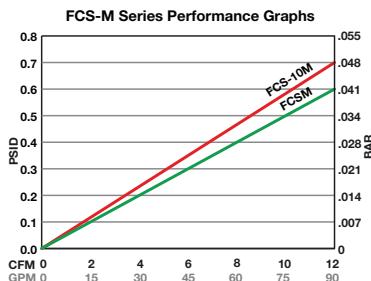
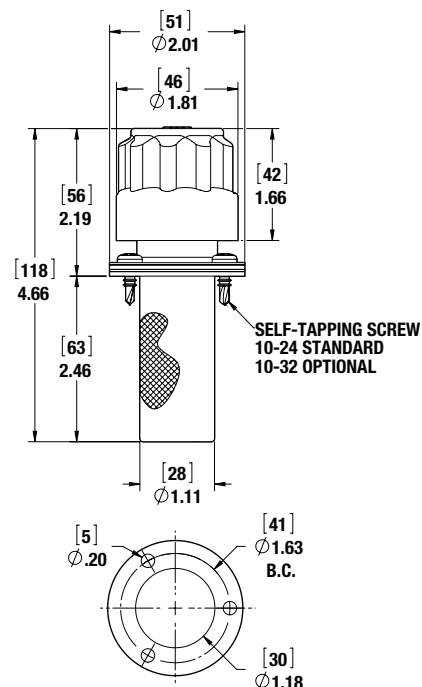
Bayonet Filler Breather Mini

Model FCSM Series

- Maximum flow rate 10 CFM, 75 GPM@.58 PSI
- Steel shell nickel chrome
- 10 or 40 micron foam filtration
- 2.6"-30 mesh basket standard
- 3 hole steel zinc plated mounting flange with 1.63" bolt circle
- 1.20 hole required for screen
- Cork-rubber gaskets standard
- 10-32 x 1/2" thread forming screws standard
- Operating temperature -22F to +212 F (-30C to +100C)
- Compatible with petroleum and mineral based fluids



FCSM



See Technical Bulletin TB.TA07.708, TB.TA10.708 and TB.TA11.708 for further information at (Technical Data - www.lenzinc.com).

Super Filler Cap Assembly

Model FCS-1303 Non Vent Series

- Steel shell nickel chrome
- 4.94" diameter bolt circle
- Tether chain standard
- 4.5" hole in tank required for basket
- Cork-rubber gaskets standard
- 8/32 x 1/2" thread forming screws standard
- Operating temperature -22F to +212 F (-30C to +100C)
- Compatible with petroleum and mineral based fluids
- Steel zinc plated mounting flange

Options

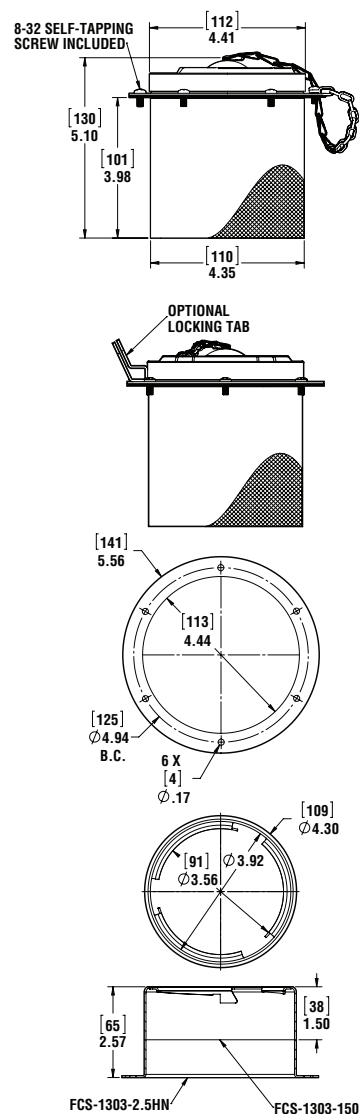
- 4.38" 24 or 70 mesh SS baskets
- Vented cap (.128 hole)
- Add LC for Locktabs



FCS-1303-70 /
FCS-1303-24
Assembly



LC-FCS-1303



Super Filler Necks

Model FCS-1303 Necks

- 18 gauge plain steel
- 1.5" Weld flange
- 2.5" high neck flange



FCS-1303-2.5HN
G = 2.56



FCS-1303-150
G = 1.50

See Technical Bulletin TB.TA22.708 for further information at (Technical Data - www.lenzinc.com).



Large Filler Cap Assembly

Model FSC, FSN Series

- 18 gauge Steel Zinc Plated Caps (RoHS)
- Tether chain standard
- 3.4" hole in tank required for basket
- Buna gaskets standard
- # 6-32 x 3/8" thread forming screws standard to mount screen
- Operating temperature -22F to +212 F (-30C to +100C)
- Compatible with petroleum and mineral based fluids
- .095" wall steel tubing neck

Options

- 5" or 8" 40 mesh steel zinc plated baskets (RoHS)
- Vented cap (.128 hole)
- Lock tabs
- 6 Bolt on tank flange
- Overflow tube



U Handle



PS Screen



Neck, Screen Cap Assembly



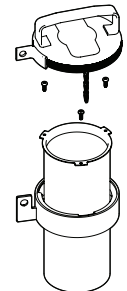
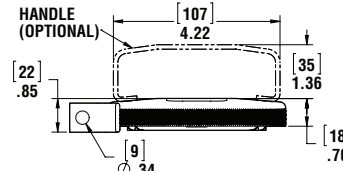
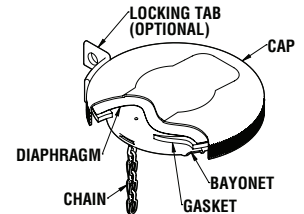
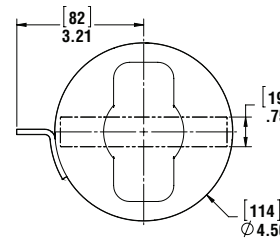
Flange Neck With Lock Tab .095 Wall Tube Extension

FSC - Cap Ordering Code

FSC — * — V — *

SERIES	STYLE		TYPE		OPTIONS
FSC-	OMIT	KNURLED	V	VENTED	OMIT
LT-FSC	U	HANDLE	NV	NON VENTED	D
	BH	BAIL HANDLE	P	DOUBLE VALVE	DIPSTICK

Dipstick minimum 25 pcs.

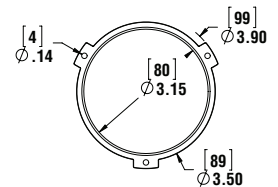
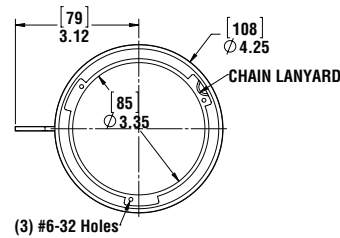


FCS - Screen Ordering Code

FCS — PS — 5.00

SERIES	STYLE		LENGTH	
FCS	PS	PERFORATED	5.00	5" LENGTH
	40M	40 MESH	8.00	8" LENGTH

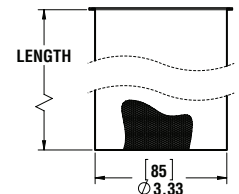
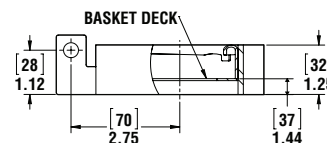
5.00 Standard Length



FSN - NECK Ordering Code

FSN — * — 5 — *

SERIES	STYLE		LENGTH		OPTIONS
FSN -	OMIT	STEEL	200	2"	OMIT
LT-FSN	AL	ALUMINUM	400	4"	V
			500	5"	FV





Threaded Filler Breather Caps

Model BF Series

- Maximum flow rate 35 CFM, 250 GPM@.56 PSI
- Steel shell nickel chrome or black powder coated
- Steel zinc plated fitting base
- 10 or 40 micron foam filtration
- Operating temperature -22 F to +212 F (-30C to +100C)
- Compatible with petroleum and mineral base oils

Options Available

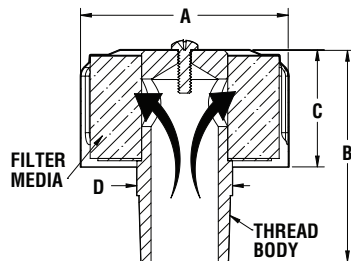
- 1/4", 3/8", 1/2", 3/4", 1" NPT threads
- 9/16"-18 thread available

10 MICRON OPTION: EXAMPLE BF-6-10M



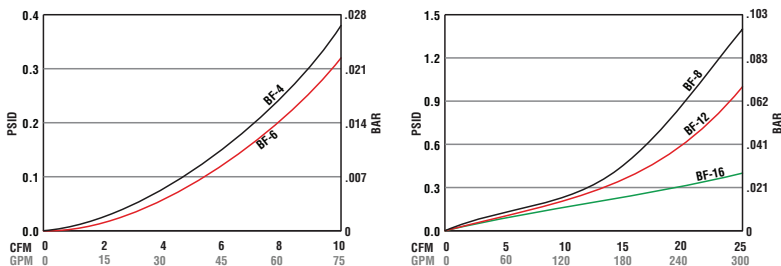
Dimensional Detail

MODEL	MICRON	PIPE SIZE	AIR FLOW		A	B	C	D
BF-4	10, 40	1/4"	4	IN MM	1.4" 35"	1.9" 47	1" 25	0.7" 18
BF-6	10, 40	3/8", 9/16"-18	4	IN MM	1.4" 35	1.9" 47	1" 25	0.7" 18
BF-8	10, 40	1/2"	35	IN MM	2.6" 67	2.9" 74	1.4" 36	0.9" 24
BF-12	10, 40	3/4"	40	IN MM	2.6" 67	3" 76	1.4" 36	1.1" 27
BF-16	10, 40	1"	40	IN MM	3" 76	3.3" 83	1.7" 43	1.4" 36



BF-16 SHOWN

BF Series Performance Graphs



Ordering Code

* — BF — 6 — *

OMIT		SERIES	SIZE	OPTIONS	
BPC	ALL	BF	4	DIP	3/4", 1"
ISO	BF-16	BFA - SAE #6	6	10M	ALL
*AS	ANTI-SPLASH		8		
			12		
			16		

*Available: BF-8, 12, 16 size

Threaded Large Capacity Filter Breathers

Model BF Series

- Maximum flow rate 140 CFM, 1050 GPM @ .15 PSI
- Glass filled nylon housing
- 10 micron resin impregnated paper
- Operating temperature -22F to +212F (-30C to +100C)
- Compatible with petroleum and mineral based fluids

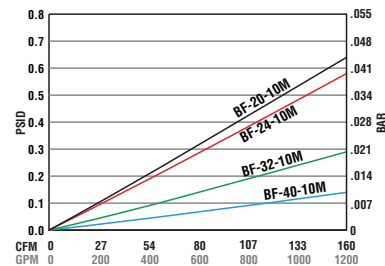
Options Available

- 1 1/4", 1 1/2", 2", 2 1/2" NPT threads
- 3 micron phenolic resin impregnated paper (BF-24 size)



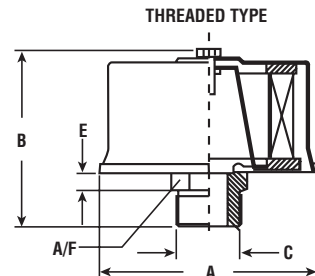
LBE

BF Series Performance Graphs



Dimensional Detail

MODEL	REPLACEMENT	DISPLACEMENT	C	A	B	E	A/F	AREA IN ²
BF-20-10M	LBE-24-10M	240 GPM 32 CFM	1 1/4" NPT	4.3 110	5.4 138	0.5 12	2.2 55	215
BF-24-10M	LBE-24-10M	265 GPM 35 CFM	1 1/2" NPT	4.3 110	5.4 138	0.5 12	2.2 55	215
BF-32-10M	LBE-32-10M	530 GPM 71 CFM	2" NPT	5.7 145	5.7 145	0.6 15	2.6 65	375
BF-40-10M	LBE-40-10M	1050 GPM 140 CFM	2 1/2" NPT	7.3 185	7.7 195	0.6 15	3.1 80	375



See Technical Bulletin TB.TA07.708, TB.TA10.708 and TB.TA11.708 for further information at (Technical Data - www.lenzinc.com).



Threaded Filler Breather Caps

Model LMB, BF Series

- Maximum flow rate 35 CFM, 250 GPM @.56 PSI
- Steel shell nickel chrome or black powder coated (1216, 1616)
- 10 or 40 micron foam filtration
- 3 micron phenolic resin impregnated paper
- Operating temperature -22F to +212 F (-30 C to 100 C)
- Compatible with petroleum and mineral based fluids

Options Available

- 1/4", 3/8", 1/2", 3/4", 1" and 1 1/4" NPT threads
- 9/16"-18 SAE thread available
- Dipsticks are available 3/4", 1"
- Anti splash available
- 5 PSI pressurized valve

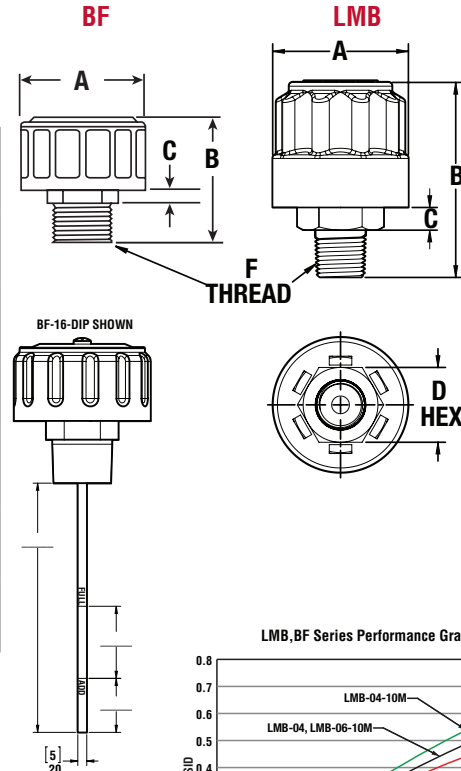
LMB-04
LMB-06

BF-0816
BF-1216
BF-1616
BF-2016



Dimensional Detail

MODEL	F PORT	MICRON	AIR FLOW CFM	OIL TRANSFER RATE GPM		A	B	C	D
LMB-04	1/4"	40	10	75	IN	1.85"	2.17"	0.28"	0.75"
		10	5	36	MM	47	55	7	19
LMB-06	3/8"	40	10	75	IN	1.85"	2.17"	0.28"	0.75"
		10	5	36	MM	47	55	7	19
BF-0816	1/2"	40	25	190	IN	3.15"	2.60"	0.31"	1.26"
		10	12	114	MM	80	66	8	32
BF-1216	3/4"	40	26.4	200	IN	3.15"	2.60"	0.31"	1.30"
		10	15	112	MM	80	66	8	33
BF-1616	1"	40	30	225	IN	3.15"	2.72"	0.31"	1.50"
		10	15	112	MM	80	69	8	38
BF-2016	1 1/4"	40	35.0	260.0	IN	3.2	2.80	0.4	1.7
		10	18	135	MM	80	71	9	43.2



See Technical Bulletin TB.TA07.708, TB.TA10.708 and TB.TA11.708 for further information at (Technical Data - www.lenzinc.com).

Ordering Code

BPC — BF — 12 — 10M

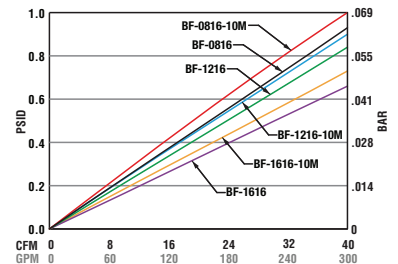
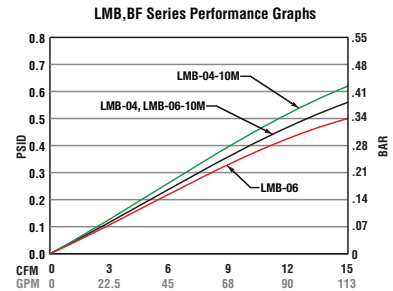
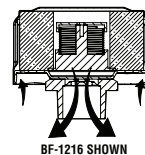
OMIT	NONE	SERIES	PORT SIZE	OPTIONS
BPC	1216, 1616	LMB	04 1/4" (LMB)	10M 10 MICRONS
ISO	BF-1616, 1216, 0816	BF	06 3/8" (LMB)	DIP Specify length in Inches
AS	LMB, BF		0816 1/2" (BF)	P5 5 PSI
			1216 3/4" (BF)	P3 3 PSI
			1616 1" (BF)	
			2016 1 1/4" (BF)	

LMB SAE thread version available in -6, -12

Pressurized Breather Filter

BF-1216-P5

This device is similar to a conventional breather, but it incorporates a relief valve set at 5 PSI and a vacuum breaker. When the fluid level first falls, air enters the reservoir through the vacuum breaker and filter. When the level rises, air is compressed rather than being expelled. Thereafter, changing fluid levels are accommodated by the changing size of the air bubble in the reservoir, instead of by breathing to atmosphere. Pressurized breathers can reduce breathing by as much as 90% to 95%, increasing the life of the breather filter by a factor of 10. They are recommended for systems that are expected to operate in extremely dusty environments and mobile applications.





Threaded Filler Breather Caps

Model ABFT Series

Specifications

- Maximum flow rate 35 CFM, 250 GPM@.56 PSI
- Aluminum
- 10 or 40 micron foam filtration
- 3 micron phenolic resin impregnated paper
- Operating temperature -22 F to +212 F (-30C to +100C)
- Compatible with petroleum and mineral based fluids

Options Available

- 1/4", 3/8", 1/2", 3/4", 1 1/4" NPT threads
- Anti-splash
- Pressurized version



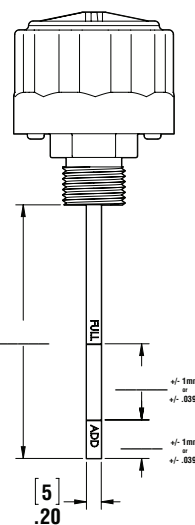
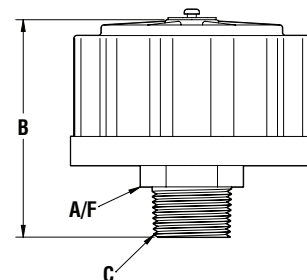
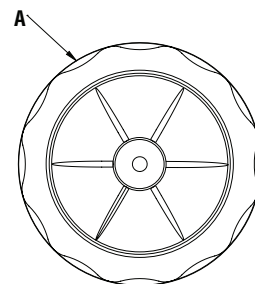
ABFT-40



ABFT-20

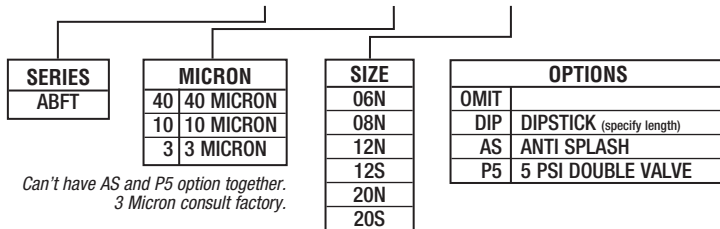
Dimensional Detail

MODEL	PORT THREAD C		A	B	A/F	OIL TRANSFER RATE (GPM)	AIR FLOW (CFM)
ABFT-06	3/8" NPT	IN	2.2	2.6	1.0	75	10
		MM	56	66	25		
ABFT-08	1/2" NPT	MM	2.2	3	1	75	10
		MM	56	66	25		
ABFT-12N	3/4" NPT	IN	3.2	3.4	1.0	190	25
ABFT-12S	1 1/16"-12 SAE	MM	81	86	25		
ABFT-20N	1 1/4" NPT	IN	3.2	3.4	1.7	260	35
ABFT-20S	1 5/8"-12 SAE	MM	81	86	42		

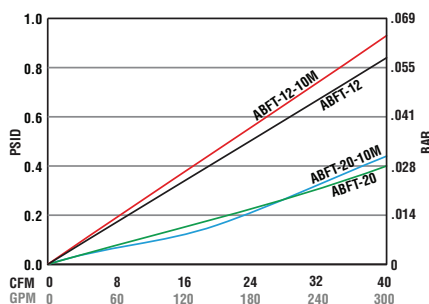
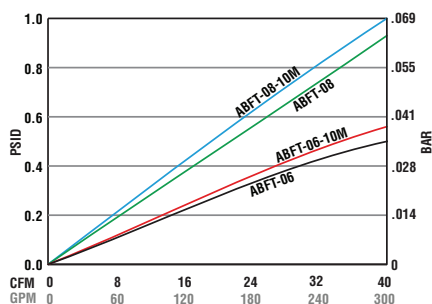


Threaded Breather Ordering Code

ABFT — 40 — 12N



ABFT Series Performance Graphs



See Technical Bulletin TB.TA07.708, TB.TA10.708 and TB.TA11.708 for further information at (Technical Data - www.lenzinc.com).



Threaded Filler Breather Caps

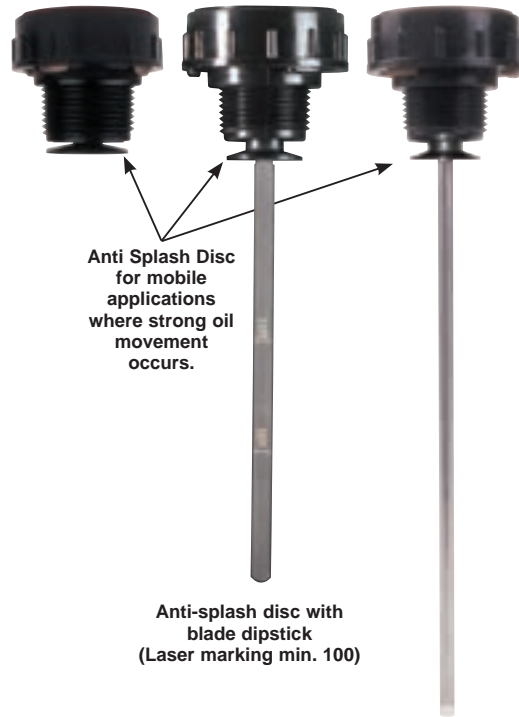
Model NY Series

Specifications

- Maximum flow rate 30 CFM, 225 GPM@.56 PSI
- Glass filled nylon cap
- 10 or 40 micron foam filtration
- Operating temperature -22 F to +212 F (-30 C to +100 C)
- Compatible with petroleum, mineral, water based fluids p to 7.9 inches
- (200 mm) and can be marked upon request.

Options Available

- 1/4", 3/8", 1/2", 3/4", 1", 1 1/4" NPT threads
- 1 1/16"-12, 1 5/8"-12 SAE thread available
- Anti splash
- P 1.5, P 3, P5 Pressurized valve options
- Dipsticks cylindrical & blade



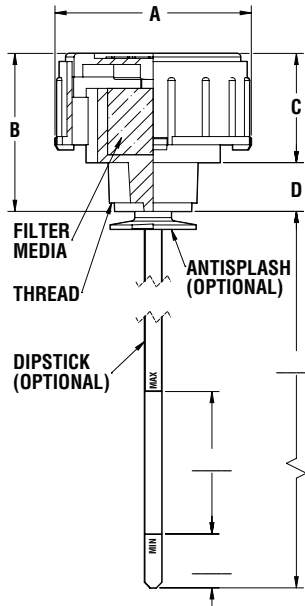
Anti Splash Disc for mobile applications where strong oil movement occurs.

Anti-splash disc with blade dipstick (Laser marking min. 100)

Anti-splash disc with round dipstick (Hash marking only)

Dimensional Detail

MODEL	PORT SIZE		A	B	C	D
NY-4	1/4"	IN	1.2"	1.4"	0.8"	0.6"
		MM	30	35	21	14
NY-4-4	1/4"	IN	1.6"	1.3"	0.8"	0.5"
		MM	41	33	21	12
NY-6	3/8"	IN	1.2"	1.4"	0.8"	0.6"
		MM	30	36	21	15
NY-4-6	3/8"	IN	1.6"	1.3"	0.8"	0.5"
		MM	41	34	21	13
NY-8	1/2"	IN	1.6"	1.4"	0.8"	0.6"
		MM	41	36	21	15
NY-12	3/4"	IN	1.8"	1.5"	0.9"	0.6"
		MM	46	38	22	16
NY-7-12	3/4"	IN	2.8"	2"	1.4"	0.7"
		MM	70	52	35	17
NY-16	1"	IN	2.04"	1.5"	0.9"	0.6"
		MM	52	38	22	16
NY-7-16	1"	IN	2.8"	2.1"	1.4"	0.7"
		MM	70	54	35	19
NY-7-20	1 1/4"	IN	2.8"	2.2"	1.4"	0.8"
		MM	70	55	35	20
NY-7-A20	SAE	IN	2.8"	2.2"	1.4"	0.8"
	1 5/8"-12	MM	70	55	35	20
NY-A12	SAE	IN	1.8"	1.5"	.9"	0.6"
	1 1/16"-12	MM	46	38	22	15.4



Ordering Code

AS — NY — 7 — 12 — DIP**

OPTIONS		SERIES	DIAMETER- PORT SIZE		THREAD		OPTIONS	
OMIT	NONE		NY NPT	OMIT	1.2 INCHES 1/4", 3/8"	4	1/4"	10M
*AS	ANTI-SPLASH		4	1.6 INCHES 1/4", 3/8", 1/2"	6	3/8"	DIP**	DIPSTICK CYLINDRICAL SPECIFY INCHES UP TO 24 INCHES
ISO	OIL SYMBOL		OMIT	1.8 INCHES 3/4, 1"	8	1/2"	P5	DOUBLE VALVE
			7	2.8 INCHES 3/4", 1", 1 1/4"	12	3/4"	SB	SINTERED BRONZE
					*A12	1 1/16"-12	BLDIP**	BLADE DIPSTICK SPECIFY INCHES UP TO 12IN
					16	1"		
					20	1 1/4"		
					*A20	1 5/8"-12		

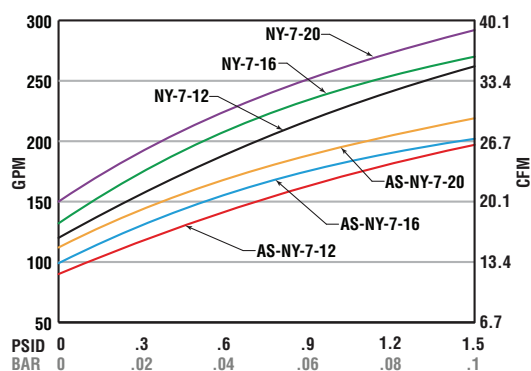
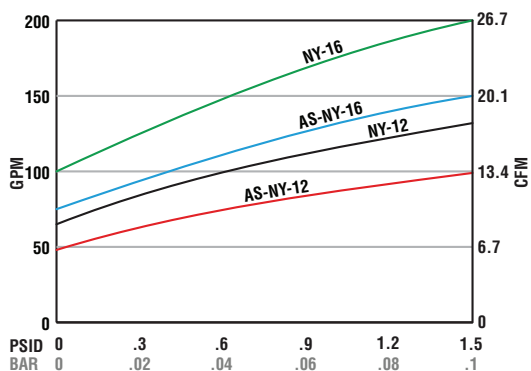
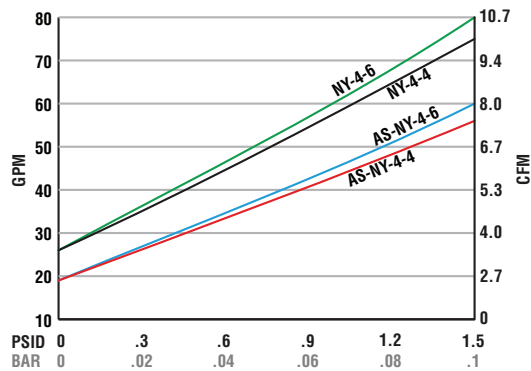
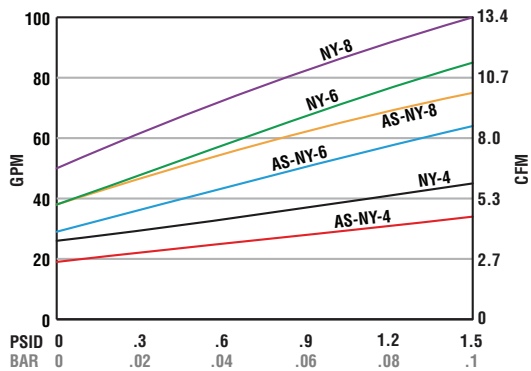
*A12 Only on NY-12 Size
*A20 Only on NY-7 Size

P5 not available NY-4, NY-6, NY-16
P1.5, P3 available on some models
Consult factory

***Minimum quantity 100 pcs.
Dipstick with antisplash not available for NY-4 & NY-4-4

See Technical Bulletin TB.TA07.708, TB.TA10.708 and TB.TA11.708 for further information at (Technical Data – www.lenzinc.com).

NY Series Performance Graphs



AS-NY-4



AS-NY-(SAE)



NY-7-12



AS-NY-7



NY-6



NY-7-BLDIP

See Technical Bulletin TB.TA07.708, TB.TA10.708 and TB.TA11.708 for further information at (Technical Data - www.lenzinc.com).



Threaded Filler Breather Caps

Model LGB Series

- Maximum flow rate 68 CFM, 576 GPM@.18 PSI
- Steel white canister
- 3 or 10 micron phenolic resin impregnated paper
- Steel zinc plated thread adapters
- Operating temperature -22F to +212 F (-30 C to +100 C)
- Compatible with petroleum and mineral based fluids

Options Available

- 1/2", 3/4", 1", 1 1/4" NPT threads



LGB-12-3

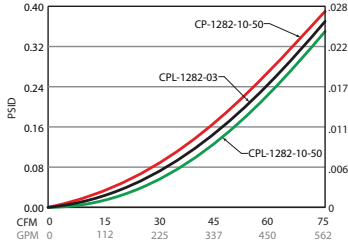
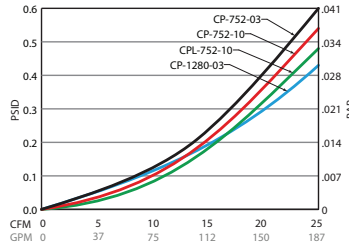
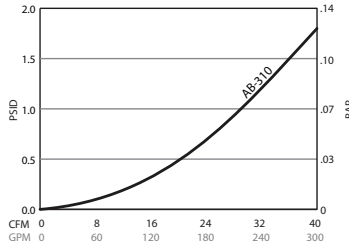


LGB-12-16-10

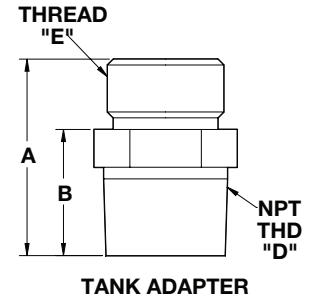
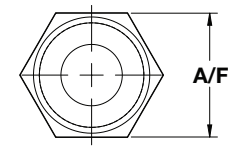
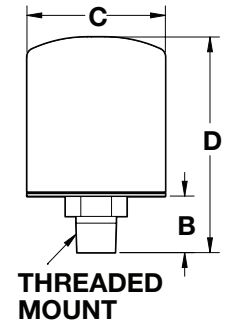


LGB-20-10

LGB Series Performance Graphs



ELEMENT MODEL	RATED CFM	RATED GPM	TANK ADAPTER	D,E	MOUNTING THREAD		A	B	C	F	A/F
CP-1000	8	60	LABA-8-8	D	1/2" NPT	IN	1.56	1.13	2.9	4.5	0.87
				E	3/4"-16	MM	39.6	28.7	73.7	114.0	22
CP-752-03	15	113	LABA-8, LABA-12, LABA-16	D	1/2" NPT, 3/4" NPT, 1" NPT	IN	1.59	1.17	3.7	6.4	1.06
				E	1"-12	MM	40.4	29.7	94.0	162.5	27
CP-AB-310	40	300	LABA-12-16	D	3/4" NPT	IN	1.59	1.18	3.7	4.9	1.06
				E	1 1/8"-16	MM	40.4	30.0	94.0	124.5	27
CP-752-10	17	127	LABA-8, LABA-12, LABA-16	D	1/2" NPT, 3/4" NPT, 1" NPT	IN	1.59	1.17	3.7	6.4	1.06
				E	1"-12	MM	40.4	29.7	94.0	162.5	27
CPL-752-10	18	134	LABA-8, LABA-12, LABA-16	D	1/2" NPT, 3/4" NPT, 1" NPT	IN	1.59	1.17	3.7	9.6	1.06
				E	1"-12	MM	40.4	29.7	94.0	244	27
CPL-1282-03-50	58	433	LABA-20	D	1 1/4" NPT	IN	3.0	2.41	5	13.16	1.87
				E	1 1/2"-16 UNF	MM	76.2	61.2	127	334.3	47.4
CP-1282-10-50	54	405	LABA-20	D	1 1/4" NPT	IN	3.00	2.41	5	9.41	1.87
				E	1 1/2"-16 UNF	MM	76.2	61.2	127	239	47.4
CPL-1282-10-50	68	576	LABA-20	D	1 1/4" NPT	IN	3.00	2.41	5	13.16	1.87
				E	1 1/2"-16 UNF	MM	76.2	61.2	127	334.3	47.4



Air Filtration @ 99% Efficiency
Rating @. 18 PSID

Assembly Ordering Code

LGB — 12 — 10

SERIES	PORT	SIZE (D)	SERIES	FILTRATION
LGB BREATHERS	8	1/2" NPT	CP-752	10 10 MICRON
	A8	3/4"-16 SAE	CP-1000	3 3 MICRON
	8-8	1/2" NPT	CP-1000	10L 10 MICRON EXTENDED
	12	3/4" NPT	CP-752	
	12-16	3/4" NPT	CP-AB-310	
	16	1" NPT	CP-752	
	20	1 1/4" NPT	CP-1282	

* Check other element availability on pages 1a, 5a, 7a



NYLON AIR BREATHER

NY-9-M52, NY-9-M52-F

Specifications

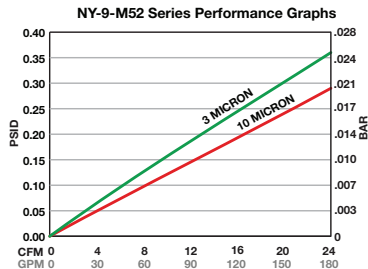
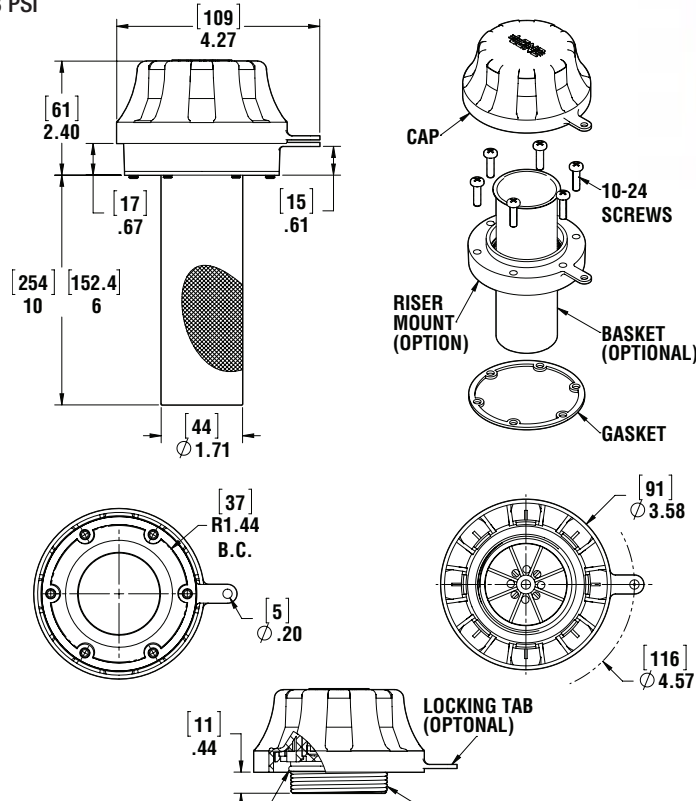
- Glass Filled Nylon cap
- Operating temperature -22F TO +212 F (-30C TO +100 C)
- 3 or 10 micron cellulose elements
- Non vent cap option
- M52 x 2 Thread standard
- Maximum flow rates 33 CFM, 250 GPM @.58 PSI
- Buna seals

Options Available

- Nylon tank flange available
- 5 PSI double valve
- Steel zinc phosphate dipstick
- Tether chain (hook on screen)
- Non vent breather
- 30 mesh fill screens
- Flange mount lock tabs

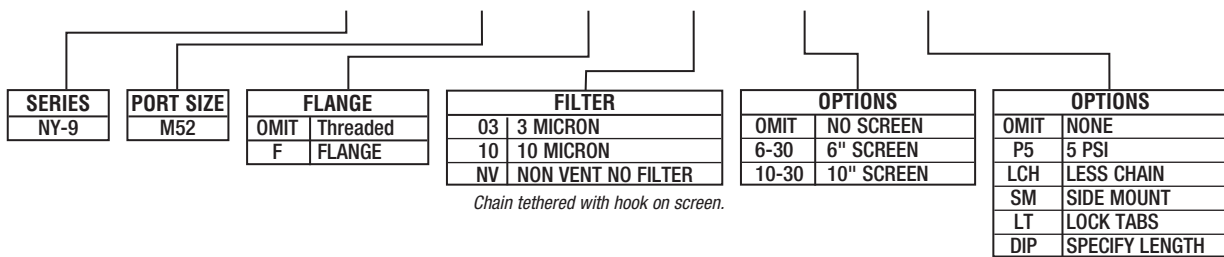
Tank Flange Options

- PA 6 Nylon tank flange available
- 5 PSI double valve
- Steel zinc phosphate dipstick
- 10-32 x 3/4 screws with tank flange
- Buna flange gaskets
- Tether chain
- Non vent breather
- 30 mesh 6", 10" fill screens



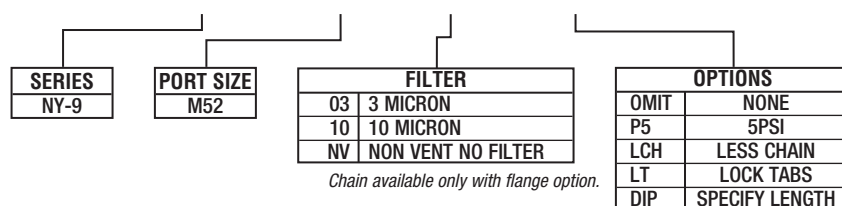
Assembly Ordering Code

NY-9 — M52 — F — 10 — 6-30 — P5



Cap Ordering Code

NY-9 — M52 — 10 — LCH



See Technical Bulletin TB.TA07.708, TB.TA10.708 and TB.TA11.708 for further information at (Technical Data - www.lenzinc.com).



Threaded Vent-Check Breather

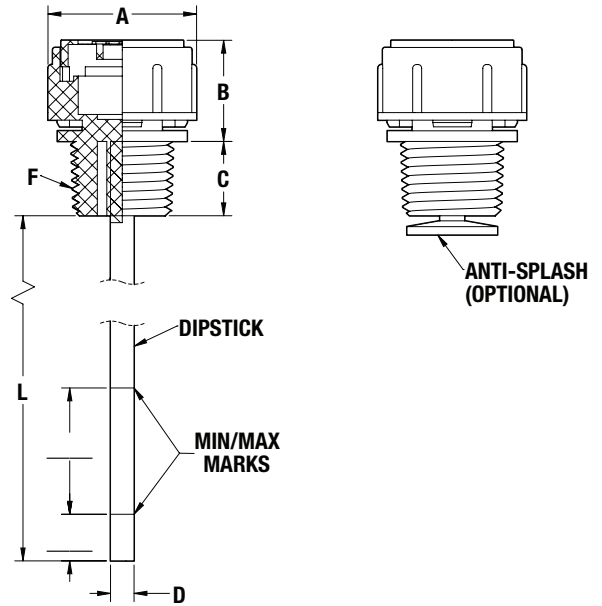
Model NY-LVB Series

Specifications

- PA66 nylon cap
- Exhaust crack pressure 3.5 to 4.4 PSI, (.24 to .30 BAR)
- Operating temperature -22 F to +212 F (-30 C to +100 C)
- Compatible with petroleum and mineral based fluids
- Stainless steel springs size 4, 6, 8
- Steel spring on size 12
- Buna seal

Options Available

- 1/4", 3/8", 1/2", 3/4" NPT threads
- BSPP threads consult factory
- Anti splash
- Dipstick



Dimensional Detail

MODEL NO.		F	OR	L	A	B	C	D
NY-LVB-4	IN	1/4"	4 PSI	7.7"	1.2"	0.8"	0.5"	0.2"
	MM		0.3 Bar	195	30	21	12	4
NY-LVB-6	IN	3/8"	4 PSI	7.7"	1.2"	0.8"	0.5"	0.2"
	MM		0.3 Bar	195	30	21	12	4
NY-LVB-8	IN	1/2"	4 PSI	7.7"	1.2"	0.8"	0.6"	0.2"
	MM		0.3 Bar	195	30	21	14	4
NY-LVB-12	IN	3/4"	4 PSI	7.7"	1.8"	0.9"	0.55"	0.2"
	MM		0.3 Bar	195	47	22	14	5

ADD AS - As prefix for Anti-splash
ADD DIP Suffix for Dipstick

* Check element availability on pages 1a, 5a, 7a

Ordering Code

NY-LVB — 6

OPTIONS		SERIES NY-LVB	THREAD SIZE		OPTIONS	
OMIT			4	1/4" NPT	OMIT	NONE
AS	ANTI SPLASH		6	3/8" NPT	DIP	SPECIFY LENGTH
			8	1/2" NPT		
			12	3/4" NPT		

Brass Filler Plugs

KMF & KMV

Specifications

- 2 vent holes located under hex head
- KMV has 6 PSI one way exhaust check
- Maximum temperature 195° F degrees
- Fiber thread sealing gasket, buna seal KMV

These KMV vent plug has check set at 6 PSI which needs to be overcome in order to exhaust into the atmosphere. The valve stops air from entering the reservoir when closed and prevents oil from splashing out the plug during operation when the valve is closed.

These plugs are ideal for use in speed reducers, gear boxes, bearing housings and transmissions.

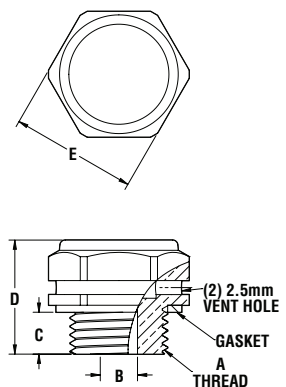


Dimensional Detail

MODEL		A THREAD	B I.D.	C	D	E HEX DIAMETER
KMF 14, KMV 14	IN	1/4" BSPP	0.30	0.30	0.96	0.71
	MM		8	7.5	24.5	18
KMF 38, KMV 38	IN	3/8" BSPP	0.35	0.33	0.96	0.87
	MM		9.0	8.5	24.5	22
KMF 12, KMV 12	IN	1/2" BSPP	0.31	0.33	0.96	1.06
	MM		8.0	8.5	24.5	27

KMF	AIR FLOW CAPACITY	GPM
KMF 14	3.2 CFM	6.3
KMF 38	5 CFM	10
KMF 12	7 CFM	14

Test were carried out with input pressure of 50 mb or .725 PSI



See Technical Bulletin TB.TA07.708 for further information at (Technical Data - www.lenzinc.com).



OIL FILL PLUGS

Model TCN

Specifications

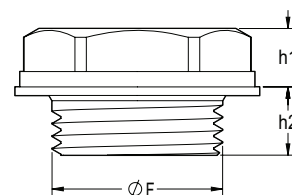
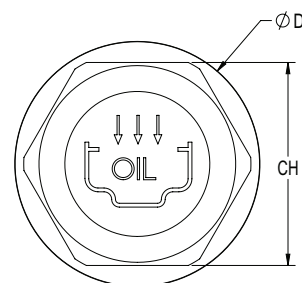
- POLYAMIDE 66 hex head plug
- Operating temperature 212 F (100 C)
- Standard fiber gasket
- Fill graphic symbol standard
- BSPP or metric threads standard

Option Available

- Rubber gasket
- Breather hole 2-3.5 mm
- Metric threads available



MODEL	F PORT THREAD		Ch	D	h2	h1		TORQUE
TCN-14	1/4" BSPP	IN	0.67	0.77	0.35	0.28	ft-lbs	3.70
		MM	17	20	9.0	7.0	NM	5.0
TCN-38	3/8" BSPP	IN	0.71	0.87	0.39	0.30	ft-lbs	5.90
		MM	18	22	10.0	7.5	NM	8.0
TCN-12	1/2" BSPP	IN	0.91	1.10	0.43	0.30	ft-lbs	6.60
		MM	23	28	11.0	7.5	NM	9.0
TCN-34	3/4" BSPP	IN	1.18	1.34	0.43	0.35	ft-lbs	8.10
		MM	30	34	11	9	NM	11
TCN-1	1" BSPP	IN	1.38	1.65	0.47	0.41	ft-lbs	14.80
		MM	35	42	12	10.5	NM	20
TCN-1-NPT	1" NPT	IN	1.38	1.65	.74	.41	ft-lbs	14.8
		MM	35	42	19	10.5	NM	20
TCN-114	1 1/4" BSPP	IN	1.65	2.01	0.53	0.47	ft-lbs	
		MM	42	51	13.5	12	NM	
TCN-112	1 1/2" BSPP	IN	1.97	2.28	0.63	0.39	ft-lbs	
		MM	50	58	16	10	NM	
TCN-2	2" BSPP	IN	2.52	2.91	0.63	0.47	ft-lbs	
		MM	64	74	16	12	NM	



HOLLOW HEX HEAD PLUGS

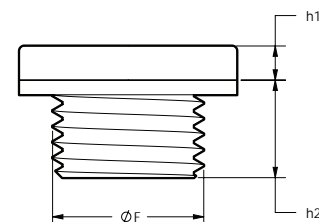
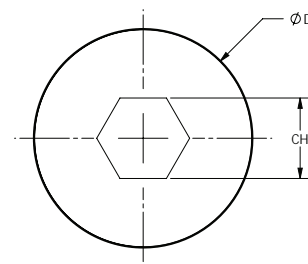
TCNB

Specifications

- PA 66 with 30% fiberglass low profile threaded plug
- Operating temperature 212 F (100 C)
- Fiber gasket
- BSSP or Metric threads standard

Options Available

- Rubber gasket
- Operating temperature 250 F (120 C)
- 50% reinforced fiberglass
- Other metric threads available consult factory



MODEL	F PORT THREAD		Ch	D	h1	h2	Torque	
TCNB-14	1/4" BSPP	IN	0.24	0.71	0.12	0.31	3	ft-lbs
		MM	6	18	3.0	8.0	4	NM
TCNB-38	3/8" BSPP	IN	0.31	0.89	0.14	0.41	5	ft-lbs
		MM	8	23	3.5	10.5	7	NM
TCNB-12	1/3" BSPP	IN	0.39	1.10	0.16	0.39	7	ft-lbs
		MM	10	28	4.0	10.0	9	NM
TCNB-34	3/4" BSPP	IN	0.47	1.38	0.16	0.41	8	ft-lbs
		MM	12	35	4	10.5	11	NM
TCNB-1615	M16 X 15	IN	0.31	0.89	0.14	0.41		ft-lbs
		MM	8	22.5	3.5	10.5		NM

See Technical Bulletin TB.TA07.708, TB.TA10.708 and TB.TA11.708 for further information at (Technical Data - www.lenzinc.com).



Push-On Filler Breather

Model NYPO Series

Specifications

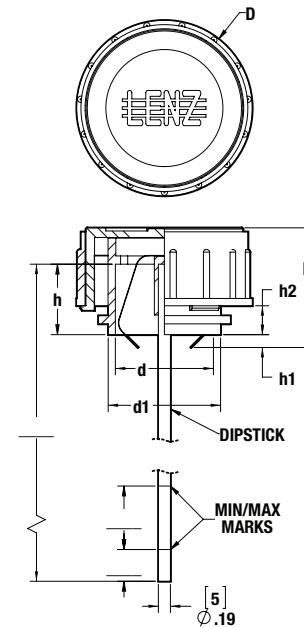
- PA66 nylon cap
- Maximum flow rate 160GPM, 22 CFM@1.5PSI
- 40 micron foam filter filtration
- Operating temperature -22 F to +212 F (-30 C to +100 C)
- Compatible with petroleum and mineral based fluids
- Fits over 1.5" (39mm) O.D. and 1.25 (32mm) I.D. tube
- Spring steel retention clips

Options Available

- Dipstick
- 10 micron foam filter



Optional Dipstick



Dimensional Detail

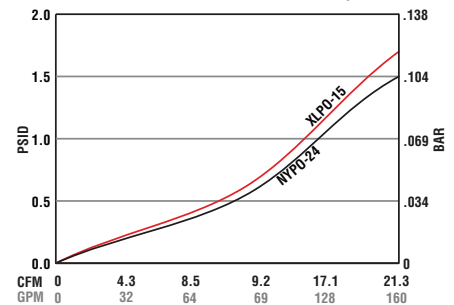
MODEL NO.		d	h	D	L	d1	h1	h2	LBS/GR
NYPO-24	IN	1.5"	1.1"	2.8"	1.9"	1.8"	0.1"	0.3"	0.2"
	MM	39	28	70	48	45	3	7	67
NYPO-24-10M	IN	1.5"	1.1"	2.8"	1.9"	1.8"	0.1"	0.3"	0.2"
	MM	39	28	70	48	45	3	7	67

Assembly Ordering Code

NYPO-24 — 10M — DIP

FILTRATION		OPTIONS	
OMIT	40 MICRON	OMIT	NONE
10M	10 MICRON	DIP	SPECIFY LENGTH

XLPO, NYPO Series Performance Graphs



Push-On Filler Breather

Model XLPO Series

Specifications

- Maximum flow rate 25 CFM, 190 GPM
- Steel shell nickel chrome
- 40 micron foam filter filtration
- Operating temperature -22 F to +212 F (-30 C to +100 C)
- Compatible with petroleum and mineral based fluids
- Fits over 1.5" (39mm) O.D. and 1.25 (32mm) I.D. tube
- Spring steel retention clips

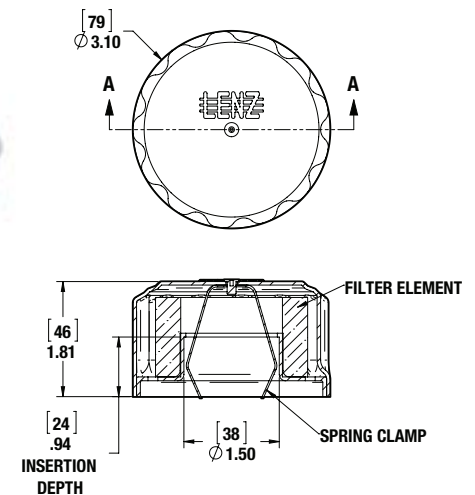
Options Available

- Dipstick
- 10 micron foam filter
- Black powder coat cap



XLPO Push On Breather

PUSH-ON TYPE



Ordering Code

XLPO — 10M — 15 — *

SERIES		FILTRATION		SIZE		OPTIONS	
XLPO	ZINC	40	40 MICRON	15	1 1/2" DIAMETER	OMIT	NONE
BCP-XLPO	BLACK POWDER COAT	10M	10 MICRON			DIP	SPECIFY LENGTH



See Technical Bulletin TB.TA07.708 for further information at (Technical Data - www.lenzinc.com).



Push-On Filler Breather

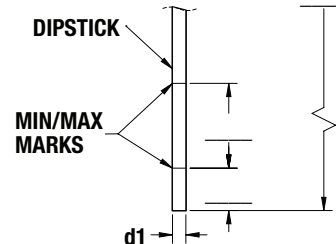
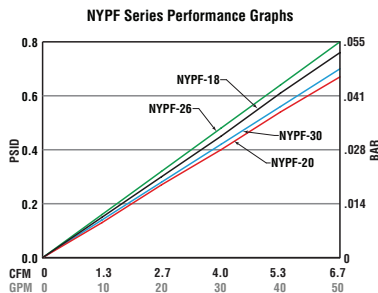
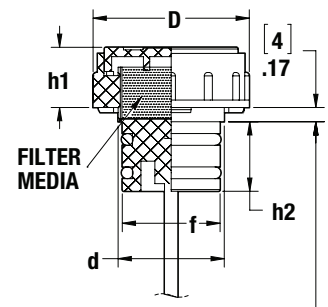
Model NYPF Series

Specifications

- Maximum flow rate 17 CFM, 125 GPM @.70
- PA66 nylon cap
- 40 micron foam filter
- Operating temperature -22 F to +212 F (-30 C to +100 C)
- Compatible with petroleum base and mineral oils HH, HL, HM, HR, HV, HG
- Buna seals
- Hole tolerance .006" (.1 mm)

Options Available

- 18, 20, 26, 30 mm O. D.
- Exhaust crack pressure range 3.5 to 4.4 PSI, (.24 to .30 BAR)
- Anti splash
- Dipstick
- 10 micron foam filter NYPF-26, 30

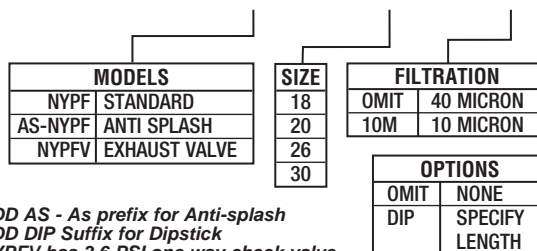


Dimensional Detail

MODEL NO.		F	D	d	h1	d1	h2
NYPF-18	IN	0.71"	1.42"	0.91"	0.67"	0.16"	0.79"
	MM	18	36	23	17	4	20
NYPF-20	IN	0.79"	1.42"	0.94"	0.67"	0.16"	0.75"
	MM	20	36	24	17	4	19
NYPF-26	IN	1.02"	1.61"	1.1"	0.67"	0.16"	0.83"
	MM	26	41	28	17	4	21
NYPF-30	IN	1.18"	1.85"	1.3"	0.67"	0.16"	0.83"
	MM	30	47	33	17	4	21
NYPFV-18	IN	0.71"	1.42"	0.91"	0.67"	0.2"	0.79"
	MM	18	36	23	17	5	20
NYPFV-20	IN	0.79"	1.42"	0.94"	0.67"	0.16"	0.75"
	MM	20	36	24	17	4	19
NYPFV-26	IN	1.02"	1.61"	1.1"	0.67"	0.16"	0.83"
	MM	26	41	28	17	4	21

Thread Ordering Code

NYPF — 30 — 10M



ADD AS - As prefix for Anti-splash
ADD DIP Suffix for Dipstick
NYPFV has 3.6 PSI one way check valve

Eye Handle Dipsticks

Model LDP Series

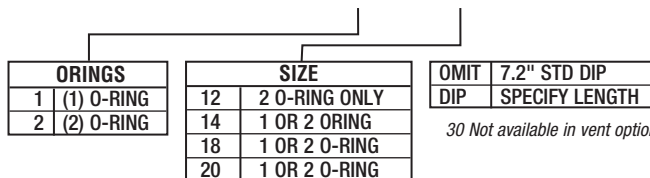
- PA66 nylon eye handle
- Operating temperature -22 F to +212 F (-30 C to +100 C)
- Compatible with petroleum and mineral based fluids
- Cylindrical steel dipstick standard
- Buna seals 70 durometer

Options Available

- Single o-ring handle 14, 18, 20,
- Double o-ring handle 12, 14, 18, 20
- Spring steel blade dipstick
- Vent hole in handle (14) 2.25mm (18, 20) 2.5mm

Assembly Ordering Code

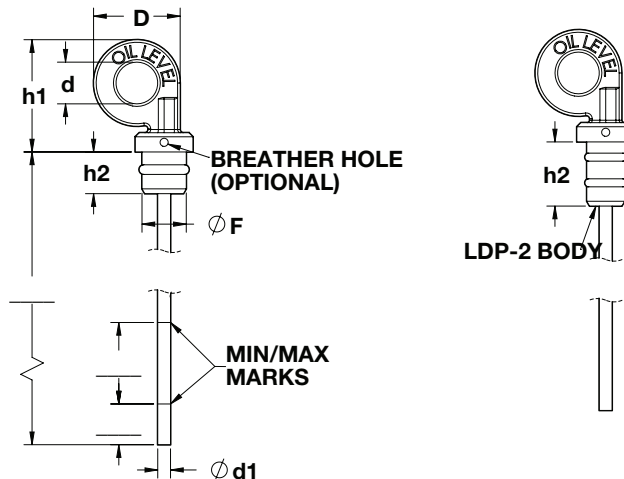
LDP — 2 — 18



Add V Suffix for Breather Hole; Except Not Available On LDP-2-12 (Not available)

Dimensional Detail

MODEL NO		F	D	d	H2	H1
LDP-1-14	IN	0.55"	1.06"	0.51"	0.51"	1.34"
	MM	14	27	13	13	34
LDP-1-18	IN	0.71"	1.26"	0.55"	0.67"	1.77"
	MM	18	32	14	17	45
LDP-1-20	IN	0.79"	1.26"	0.55"	0.71"	1.75"
	MM	20	32	14	18	44.5
LDP-2-12	IN	0.47"	1.18"	0.55"	0.79"	1.42"
	MM	12	30	14	20	36
LDP-2-14	IN	0.55"	1.06"	0.51"	0.79"	1.34"
	MM	14	27	13	20	34
LDP-2-18	IN	0.71"	1.3"	0.55"	0.83"	1.73"
	MM	18	33	14	21	44
LDP-2-20	IN	0.79"	1.38"	0.63"	0.83"	1.81"
	MM	20	35	16	21	46





Nylon Filler Breather Caps

Model PBF, PBT Series

Specifications

- Maximum flow rate 65 CFM, 485 GPM @.58 PSI
- Nylon housing and cover
- 10 micron foam filtration
- 3 micron phenolic resin impregnated paper
- Operating temperature -22F to +212 F (-30 C to 100 C)
- Compatible with petroleum and mineral based fluids
- Buna seals and gaskets
- Steel fill screen (PBF)
- 1 1/4" NPT threaded base (PBT)

Options Available

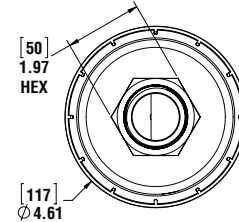
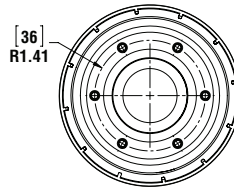
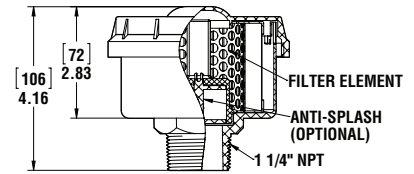
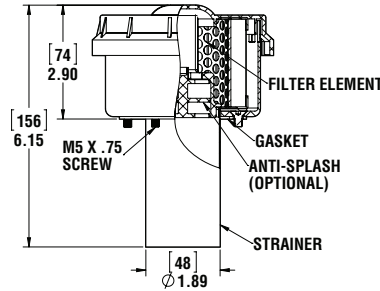
- Anti splash available
- 40 micron foam
- 3 micron cellulose



PBF



PBT



All Dimensions in MM

Ordering Code

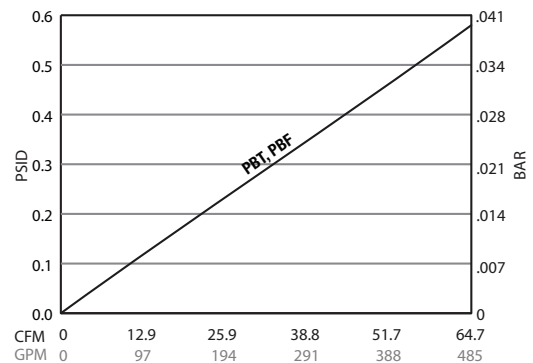
PBF — 10 — *

SERIES	MEDIA	OPTIONS
PBF	10 MICRON CELLULOSE	OMIT
PBT	40 MICRON FOAM	AS ANTI SPLASH
	10SYN 10 MICRON SYNTHETIC	
	03 MICRON CELLULOSE	

10 Micron cellulose standard

Consult factory for optional elements availability 3

PBF,PBT Series Performance Graphs



Replacement Elements

MODEL	MEDIA
PBE-10	CELLULOSE
PBE-40	FOAM
PBE-10SYN	10 MICRON SYNTHETIC
PBE-03	3 MICRON CELLULOSE



Desiccant Breathers

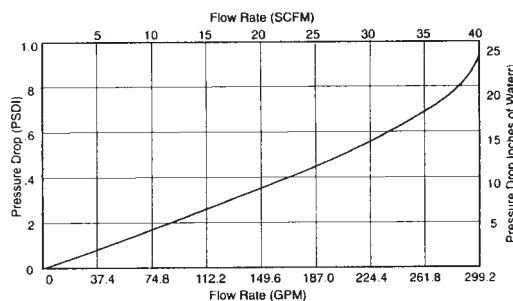
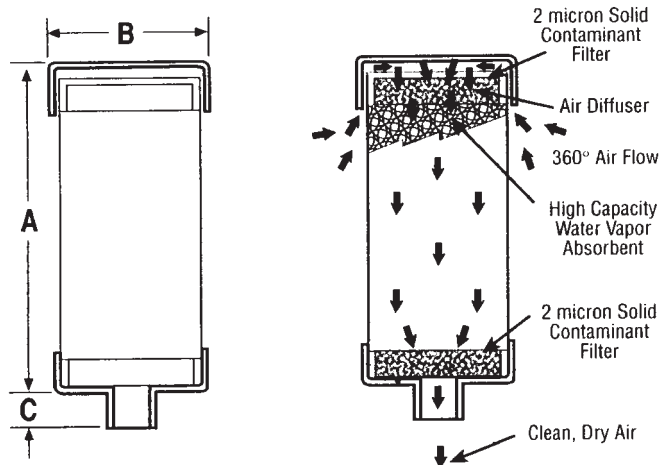
Model DB

Specifications

- Construction: ABS plastic & impact-modified acrylic
- Removes corrosive water vapor
- Operating temp. range: -20° F to +200° F (-28° C to +93° C)
- Four standard sizes (3" to 10")
- Bi-directional air flow
- Silica gel turns from gold to green when maximum absorption is reached
- Dual filter system with anti-static guard
- Solid contaminant filtration surface area 20.6 in² (133 cm²)
- Silica gel absorbs up to 40% of its weight in water
- Resistant to alkalis, hydrocarbons, non-oxidizing acids, salt water, and synthetic oils

Option

- Activated charcoal media (consult factory)
- 5 PSI Maximum Operating Pressure



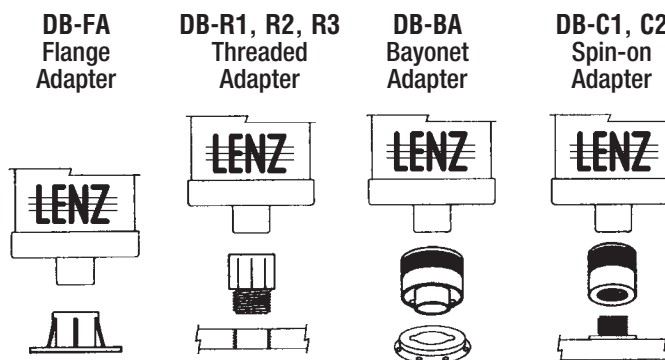
MODEL	SILICA GEL LBS (KG)
DB-03	.8 (.04)
DB-05	1.4 (0.6)
DB-08	2.7 (1.2)
DB-10	3.5 (1.6)

Dimensional Detail

MODEL NO.	BREATHER CONNECTOR	MICRON RATING	CAPACITIES		MAX. H2O CAPACITY		A		B		C	
			CFM	GPM	FL. OZ	CUP	IN.	CM.	IN.	CM.	IN.	CM.
DB-03	1 5/16" O.D. Tube	2	35	262	3.1	.4	3.5"	9.0	5"	12.8	1.25"	3.2
DB-05	1 5/16" O.D. Tube	2	35	262	6.2	.8	5.0"	12.8	5"	12.8	1.25"	3.2
DB-08	1 5/16" O.D. Tube	2	35	262	13.9	1.7	8.0"	20.5	5"	12.8	1.25"	3.2
DB-10	2" NPT	2	100	750	18.5	2.3	10.0"	25.4	5"	12.8	1.6"	4.1

Note: Connector for sizes 3, 5 and 8 1 5/16" O.D. tube is designed to interface fit with an adapter on new installations – adapters need not be replaced.
Hex diameter on DB-10 is 2.56"

MODEL NO.	DESCRIPTION
DB-BA	Bayonet Adapter
DB-C1	1"-12 UNF Female to Female Coupling
DB-C2	1 1/2"-16 UNF Female to Female Coupling
DB-FA	Flange Adapter
DB-R1	1" NPT Pipe Thread Reducer
DB-R2	3/4" NPT Pipe Thread Reducer
DB-R3	1/2" NPT Pipe Thread Reducer



See Technical Bulletin TB.TA07.708 for further information at (Technical Data - www.lenzinc.com).



Sight Level Gauge

LLG & T-LLG Series

- 3", 5", (75, 127mm) mounting center transparent Oil Level Indicator with guard
- Transparent Polyimide Resin material ultrasonically welded (3", 5")
- Slotted guard is steel with black finish
- Maximum Operating Temperature 212°F (100°C)
- Compatible with petroleum based fluids, gasoline, diesel, and variety of solvents
- Only compatible with alcohol if-AR
- 1/2-13 UNC or (10 mm, 12 mm) bolt threads available
- Maximum pressure 44 PSI (3 Bar)
- Nitrile seal
- T-LLG includes standard red thermometer or optional blue thermometer is available



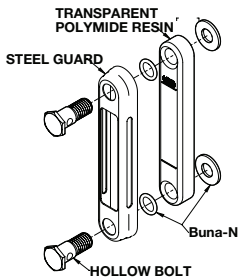
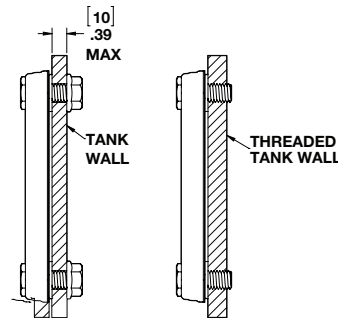
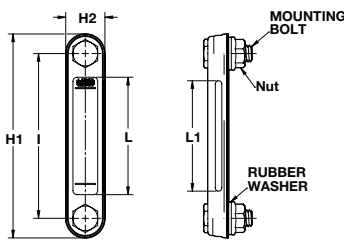
LLG-3



T-LLG-5



T-LLG-5-NG
No Guard



ASSEMBLING INSTRUCTIONS

- Method A:** Tank has to have two drilled and tapped holes in either M10, M12 or 1/2-13 UNC and can be fastened from outside into the threaded holes
- Method B:** Two holes must be drilled (10.2 mm on M10, 12.2 mm on M12, 12.6 mm on 1/2-13 UNC) and the level gauge fastened with two hex nuts from the inside of the tank Tolerance on center-to-center distance: 0.3 mm, tolerance on the drilled holes 0.2 mm

Max tightening torque suggested 4 Ft-Lbs / 5 Nm

Dimensional Detail

MODEL		I	H1	H2	L	MOUNTING L1	HOLE	MOUNTING BOLT	WALL CENTER	BOLT THICKNESS	TORQUE
LLG-3, T-LLG-3	IN MM	3" 76	4.2" 107	1.2" 30	1.5" 39	1.3" 34	.50-.53 10.2-10.5	(1/2-13)x1.75" (M12-1.75)x1.65" (M10-1.5)x1.65"	2.98-3.01 75.7-76.3	0.4 10	4 FT-LBS 5 NM
LLG-5, T-LLG-5	IN MM	5" 127	6.1" 155	1.2" 30	3.5" 89	3.3" 83.8	.50-.53 12.6-12.9		4.98-5.01 126.7-127.3	0.4 10	4 FT-LBS 5 NM

Ordering Code

T — LLG — 5 — *

GYR-LLG-5

THERMOMETER		SERIES LLG	SIZE 3 5	OPTIONS	
OMIT	LEVEL			OMIT	NO OPTIONS
T	RED THERM			M10	M10 BOLT
BT	BLUE THERM			M12	M12 BOLT
				V	VITON SEALS
				PE	ETHYLENE-PROPYLENE
				LB	1/2-13 x 2" BOLT
				RB	REFLECTING BALL 3.5
				AR	ALCOHOL RESISTANT
				M10SS	SS BOLT, NUT
				M12SS	SS BOLT, NUT
				NG	NO GUARD
				PLG	5" PLASTIC GUARD



LLG-5-RB-NG

See website technical bulletin TB.TA06.708, TB.TA09.708, TB.TA12.708 and TB.TA15.708 and for further information at (Technical Data - www.lenzinc.com).



Sight Level Gauge

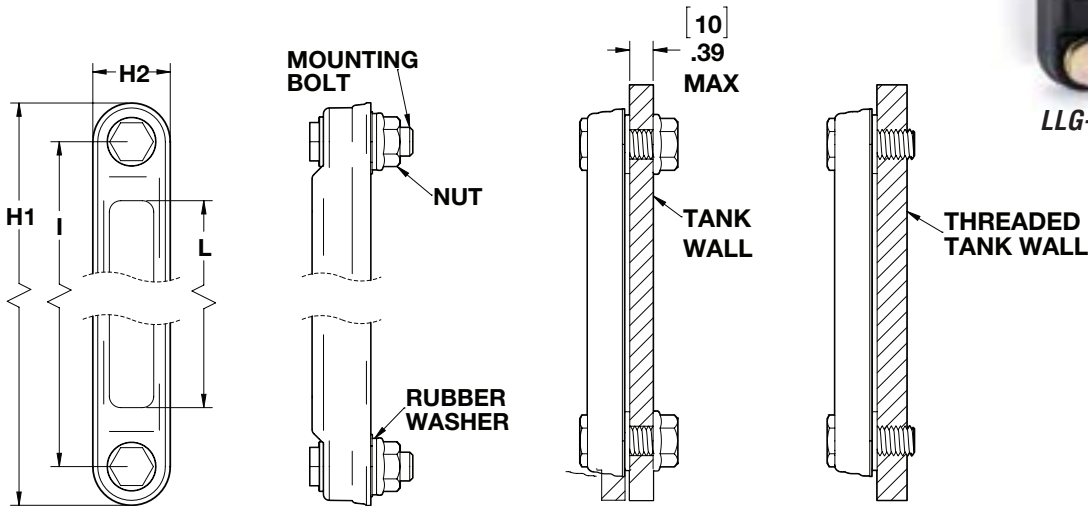
LLG & T-LLG-10

- Polycarbonate Tube Oil Level Indicator with guard
- Steel guard with black finish
- Maximum Operating Temperature 212°F (100°C)
- Compatible with petroleum based fluids
- 1/2-13 UNC or (12 mm) bolt threads available
- Maximum pressure 15 PSI (1 Bar)
- Nitrile seal
- T-LLG includes standard red thermometer or optional blue thermometer is available



LLG-10

T-LLG-10



Dimensional Detail

MODEL		I	H1	H2	L	MOUNTING L1	HOLE	MOUNTING BOLT	WALL CENTER	BOLT THICKNESS	TORQUE
LLG-10, T-LLG-10	IN	10"	11.1"	1.3"	7"	N/A	.50-.53	(1/2-13)x1.75"	9.98-10.01	0.4	4 FT-LBS
	MM	254	282	33	178	N/A	12.6-12.9	(M12-1.75)x1.65"	253.7-254.3	10	5 NM

Ordering Code

T — LLG — 10 — *

THERMOMETER		SERIES	SIZE	OPTIONS	
OMIT	LEVEL	LLG	10	OMIT	NO OPTIONS
T	RED THERM			M12	M12 BOLT
BT	BLUE THERM			V	VITON SEALS
				LB	1/2-13 x 2" BOLT
				RB	REFLECTING BALL
				M12SS	SS BOLT, NUT

ASSEMBLING INSTRUCTIONS

Method A: Tank has to have two drilled and tapped holes in either M12 or 1/2-13 UNC and can be fastened from outside into the threaded holes

Method B: Two holes must be drilled (12.2 mm on M12, 12.6 mm on 1/2-13 UNC) and the level gauge fastened with two hex nuts from the inside of the tank Tolerance on center-to-center distance: 0.3 mm, tolerance on the drilled holes 0.2 mm

Max tightening torque suggested 4 Ft-Lbs / 5 Nm

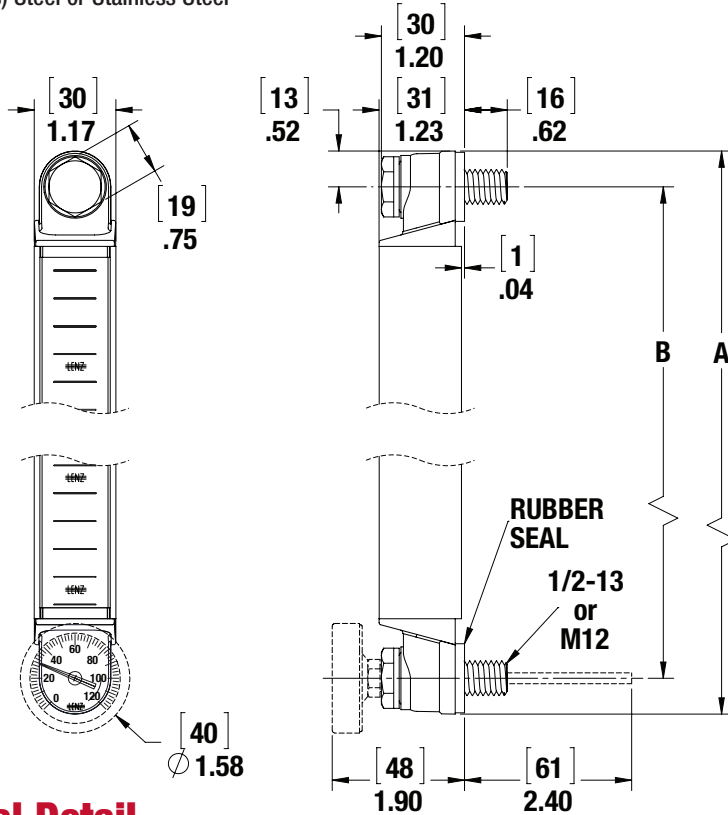
See website technical bulletin TB.TA06.708, TB.TA09.708, TB.TA12.708 and TB.TA15.708 and for further information at (Technical Data - www.lenzinc.com).



Extended Level Gauge

ELG & T-ELG

- Transparent polycarbonate tube
- Aluminum guard can be turned 90 degrees where necessary for side viewing
- Glass reinforced nylon end caps
- Zinc plated bolts 1/2"-13 UNC Standard
- Maximum 212° F (100°C) temperature
- Buna seals 70 durometer
- Graduated contrast screen
- Maximum pressure 44 PSI (3bar)
- Optional (M12 bolts) Steel or Stainless Steel



ELG



T-ELG

Dimensional Detail

MODEL		MOUNTING CENTER B	A	WALL THICKNESS	MOUNTING HOLE	MOUNTING BOLT F	BOLT TORQUE
ELG-12, T-ELG-12	IN	12	13.0	0.4	.50-.53	(1/2-13)x 1.75" (M12-1.75)x 1.65"	7.4 FT-LBS
	MM	304.8	331	10	12.6-12.9		10 NM
ELG-15, T-ELG-15	IN	15	16.0	0.4	.50-.53		7.4 FT-LBS
	MM	381	407.5	10	12.6-12.9		10 NM
ELG-18, T-ELG-18	IN	18	19.0	0.4	.50-.53		7.4 FT-LBS
	MM	457.2	483.7	10	12.6-12.9		10 NM
ELG-24, T-ELG-24	IN	24"	25.0	0.4	.50-.53		7.4 FT-LBS
	MM	609.6	635.5	10	12.6-12.9		10 NM

Consult factory for custom length... Maximum length 78"

Ordering Code

T — ELG — 12 — *

THERMOMETER	
OMIT	LEVEL (Only)
T	TEMP. GAUGE

SERIES
ELG

SIZE
12
15
18
24
SPECIFY

OPTIONS	
OMIT	NO OPTIONS
M12	M12 BOLT
V	VITON
RB	RED BALL
M12SS	STAINLESS

See website technical bulletin TB.TA09.708, TB.TA15.708 and for further information at (Technical Data - www.lenzinc.com).

Red Ball 6.5 mm Diameter



Fluid Level Sight Gauges

Sealed Back Model 550/T-550 3 Sizes (3.25", 5" & 7" bolt centers)

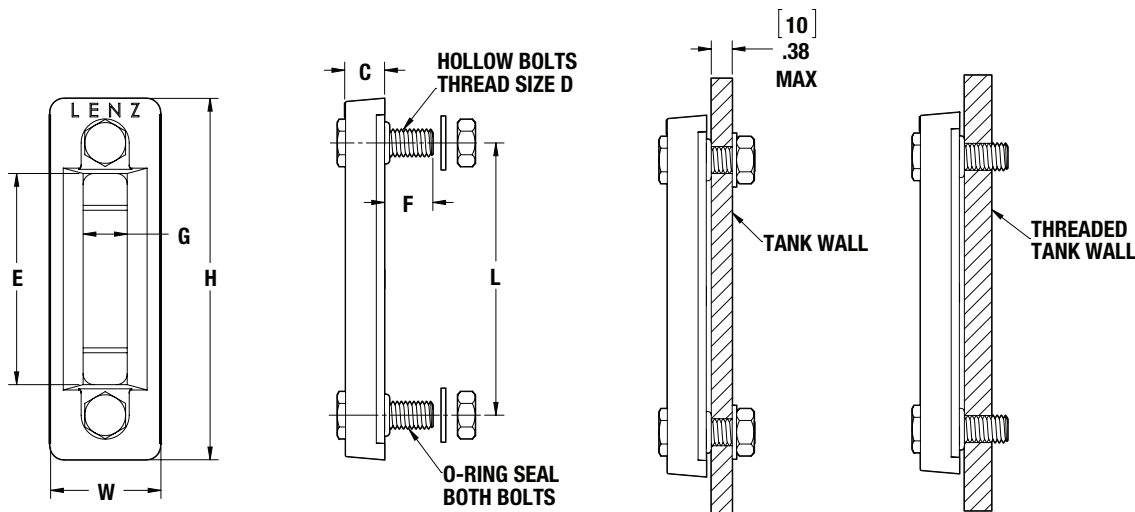
Models 550 - 3", 5" & 7" body frames are of heavy aluminum alloy with flat black finish. Serrated Flange Nuts are steel; hollow mounting bolts are carbon steel, zinc plated and furnished for 1/4" thick reservoir walls. Special longer hollow bolts can be furnished on request for 7/8" & 1 1/2" thick walls. (12mm & 3/8"-24 bolts available) Stainless steel bolts available upon request.

Standard 550 and T-550 models have 70 durometer viton, O-Ring Seals, and gaskets, tempered glass window and brushed aluminum backgrounds. They are for use with petroleum products, oil-water emulsions, and glycol-water solutions where temperatures do not exceed 200°F.

Model T-550 With Thermometer
(Available in 3 1/4", 5" & 7")
Note Dual Scales
Fahrenheit/Centigrade



T-550-7 550-5 T-550-3

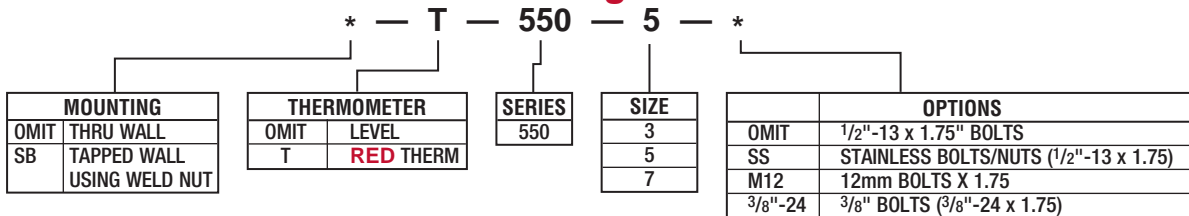


Dimensional Detail

STANDARD MODELS	THERMOMETER MODELS		L	H	W	C	D	E	F	G	TORQUE
550-3	T-550-3	IN	3.25"	4.8"	2"	0.7"	1/2-13 UNC-2	2.2"	0.8"	0.8"	4 FT-LBS
		MM	82.55	122	51	18		56	20	20	5NM
550-5	T-550-5	IN	5"	6.6"	2"	0.7"	1/2-13 UNC-2	3.9"	0.8"	0.8"	4 FT-LBS
		MM	127	168	51	18		99	20	20	5NM
550-7	T-550-7	IN	7"	8.6"	2.3"	0.8"	1/2-13 UNC-2	5.9"	0.7"	1"	4 FT-LBS
		MM	178	218	58	20		150	18	25	5NM

Note* When ordering for tapped tank wall, add "SB" to part number Ex: SB-T-550-5

Ordering Code



*Consult LENZ

See website technical bulletin TB.TA09.708, TB.TA15.708 and TB.TA23.708 for further information at (Technical Data - www.lenzinc.com).



Fluid Level Sight Windows

LSW, LSW-A SERIES

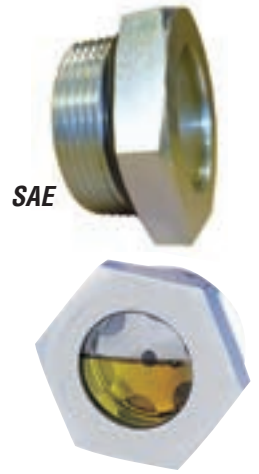
- C.R.S. Zinc Plated Hex nut
- Electroless nickel plate, zinc plating (STD.)
- 3/8" Thru 2" NPT
- 9/16"-18 Thru 17/8"-12 SAE
- Soda lime glass, clear lens, fused to body
- Maximum operating temperature 500°F (NPT)
- Buna seals standard 250°F, viton 350° on SAE version
- Compatible with petroleum based fluids, gasoline, lube oil fuel, variety of solvents



LSW



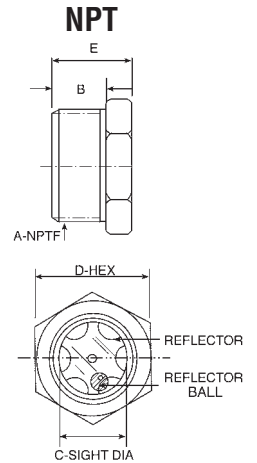
LSW-R



SAE

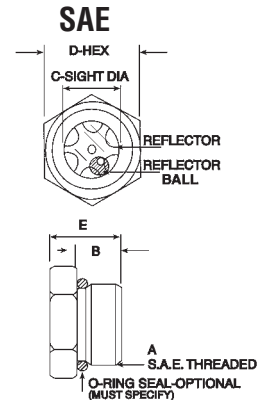
NPT THREADS — Dimensional Detail

OPEN VIEW	WITH REFLECTOR	REFLECTOR BALL	NPT A		B	C	D	E	MAX PRESS PSI/BAR
LSW-6	LSW-6-R	LSW-6-RB	3/8	IN MM	0.51 13	0.44 11	0.75 19	0.72 18	1800 122
LSW-8	LSW-8-R	LSW-8-RB	1/2	IN MM	0.57 14	0.56 14	0.94 24	0.78 20	1750 119
LSW-12	LSW-12-R	LSW-12-RB	3/4	IN MM	0.63 16	0.75 19	1.06 27	0.94 24	1500 102
LSW-16	LSW-16-R	LSW-16-RB	1	IN MM	0.94 24	0.94 24	1.38 35	1.25 32	1250 85
LSW-20	LSW-20-R	LSW-20-RB	1 1/4	IN MM	0.81 21	1.18 30	1.75 44	1.21 31	1000 68
LSW-24	LSW-24-R	LSW-24-RB	1 1/2	IN MM	0.81 21	1.44 37	2 51	1.21 31	750 51
LSW-32	LSW-32-R	LSW-32-RB	2	IN MM	0.81 21	1.87 47	2.5 64	1.21 31	500 34

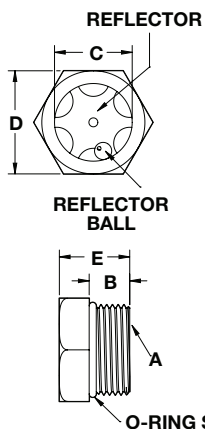


SAE THREADS — Dimensional Detail

OPEN VIEW	WITH REFLECTOR	REFLECTOR BALL	SAE A		B	C	D	E	MAX PRESSURE
LSW-A6	CONSULT FACTORY	CONSULT FACTORY	9/16-18	IN MM	0.39 10	0.44 11	0.69 18	0.73 19	1850 125
LSW-A8	LSW-A8-R	LSW-A8-RB	3/4-16	IN MM	0.44 11	0.56 14	0.87 22	0.8 20	1750 119
LSW-A12	LSW-A12-R	LSW-A12-RB	1 1/16-12	IN MM	0.59 15	0.75 19	1.25 32	0.96 24	1500 102
LSW-A16	LSW-A16-R	LSW-A16-RB	1 5/16-12	IN MM	0.59 15	1.13 29	1.5 38	1.02 26	1050 71
LSW-A20	LSW-A20-R	LSW-A20-RB	1 5/8-12	IN MM	0.59 15	1.19 30	1.75 44	1.06 27	600 41
LSW-A24	LSW-A24-R	LSW-A24-RB	1 7/8-12	IN MM	0.59 15	1.63 41	2.12 54	1.12 28	600 41



White ball in size -6, Red ball in all other models.



Ordering Code

LSW — 12 — R —

SERIES		PORT SIZE	OPTIONS		SAE THREAD SEALS		MATERIAL	
LSW	NPT	6	OMIT	CLEAR LENS	OMIT	BUNA	OMIT	STEEL
LSW-A	SAE	8	R	REFLECTOR	V	VITON	*SS	STAINLESS STEEL
		12	RB	REFLECTOR & BALL				
		16						
		20						
		24						
		32						

*Check factory for availability



WFA Weld Flange

For SAE & N.P.T. Weld Port Flanges and Adapters see page 48-49a



LWBA Weld Flange

See website technical bulletin TB.TA12.708 for further information at (Technical Data - www.lenzinc.com).



Oil Level Indicators

LSG, LSGR

- Transparent Polymide Material / Not compatible with Alcohol
- Maximum Operating Temperature 212°F (100°C) / Nitrile Seal
- Compatible with Petroleum Based Fluids, Gasoline, Fuel, and variety of Solvents
- NPT, BSP and SAE Threads available
- Maximum Pressure 44 PSI (3 Bar)
- Central Red indicator Point
- Contrast reflector available
- Locknut available for mounting on reservoirs less than .2 inches wall thickness



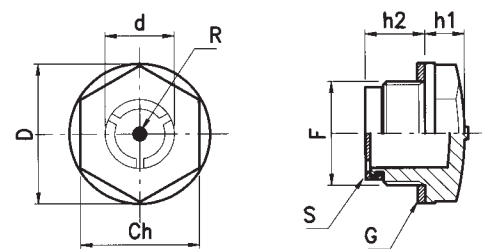
LSG-A-R
(SAE)



LSG-R
(NPT/BSP)

Dimensional Detail

Model	THREAD F		HEX CH	D	d	h1	h2	TORQUE FTLB-NM	WEIGHT LB-GM
LSG-4-R	1/4" BSP	IN	0.7"	0.8"	0.5"	0.3"	0.4"	3"	0.007"
		MM	17	20	12	8	9	4	3
LSG-6-R	3/8" BSP	IN	0.7"	0.9"	0.5"	0.3"	0.4"	3"	0.009"
		MM	18	22	12	8	10.5	4	4
LSG-8-R	1/2" BSP	IN	0.9"	1.1"	0.6"	0.3"	0.5"	6"	0.011"
		MM	24	28	16	8	12	8	5.0
LSG-A8-R	3/4"-16" SAE	IN	1.1"	0.6"	0.7"	0.3"	0.5"	6"	0.011"
		MM	28	16	18	8	12	8	5.0
LSG-12-R	3/4" NPT	IN	0.9"	1.1"	0.9"	0.2"	0.7"	7.5"	0.018"
		MM	24	28	23	6	19	10	8.2
LSG-A12-R	1 1/16"-12 SAE	IN	0.9"	1.4"	0.9"	0.4"	0.6"	7.5"	0.018"
		MM	24	36	23	9	16	10	8.2
LSG-16-R	1" NPT	IN	1.2"	1.4"	1.1"	0.4"	0.8"	9"	0.026"
		MM	30	36	27	10	21	12	11.8
LSG-A16-R	1 5/16"-12 SAE	IN	1.2"	1.7"	1.1"	0.4"	0.7"	9"	0.026"
		MM	30	43	29	10	18	12	11.8
LSG-20-R	1 1/4" NPT	IN	1.4"	1.7"	1.3"	0.4"	0.9"	11"	0.044"
		MM	36	42	32	10.65	22.85	15	20.0
LSG-24-R	1 1/2" BSP	IN	2.0"	2.3"	1.5"	0.4"	0.8"	11"	0.044"
		MM	50	58	39	10	21	15	20.0
LSG-A24-R	1 7/8" -12 SAE	IN	2.0"	2.3"	1.7"	0.4"	0.8"	11"	0.044"
		MM	51	58	43	10	21	15	20.0
LSG-32-R	2" BSP	IN	2.5"	2.9"	1.9"	0.5"	0.8"	11"	0.044"
		MM	64	74	48	12	20	15	20
LSG-M18	M18 X1.5	IN	0.8"	1.0"	0.6"	0.2"	0.5"	7.5"	0.011"
		MM	21	25	14	6	13	10	5.0



G = Fiber gasket (BSPP only)



WFA Weld Flange



LWBA Weld Flange

For SAE & NPT Weld Port Flanges and Adapters see page 48a-49a

LSD

Domed Oil Sights

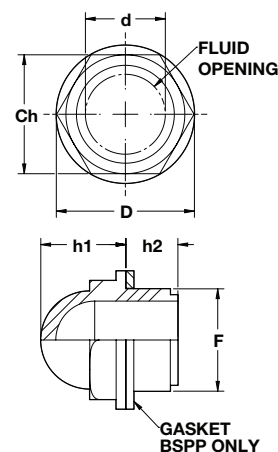
- Transparent Polymide Material / Not compatible with Alcohol
- Maximum Operating Temperature 194°F (90°C) / Nitrile Seal, Fiber Seal
- Compatible with Petroleum Based Fluids, Gasoline, Fuel, and variety of Solvents
- NPT and BSP Threads available
- Maximum Pressure 44 PSI (3 Bar)



BSP shown

Dimensional Detail

NPT MODEL	BSP MODEL	F PORT		CH	D	d	h1	h2 BSP	h2 NPT	TORQUE FT-LB/NM
LSDN-6	LSD-6	3/8"	IN	0.7	0.9	0.43	0.6	0.4	0.4	6"
			MM	19	22	11	16	10	10	8
LSDN-8	LSD-8	1/2"	IN	0.9	1.1	0.6	0.7	0.4	0.52	9"
			MM	24	28	16	17	10	13.3	12
LSDN-12	LSD-12	3/4"	IN	1.2	1.4	1.0	0.8	0.4	0.54	12"
			MM	30	35	25	20	10	13.8	16
LSDN-16	LSD-16	1"	IN	1.6	1.7	0.9	0.9	0.4	0.7	12"
			MM	40	42	23	24	10.5	17.3	16
	LSD-32	2"	IN			2.3	1.3	1.3	N/A	12"
			MM			59	32	32		16
	LSD-48	3"	IN			3.3	2.5	1.3	N/A	12"
			MM			85	63	32		16



See website technical bulletin TB.TA12.708 for further information at (Technical Data - www.lenzinc.com).

LSD-32 2" BSP Weld Flange
LSD-48 3" BSP Weld Flange



Aluminum Sight Windows

ASW-GV Series

- Aluminum 11S Nut / Polyamide Lens
- 1/2" through 1 1/4" BSPP
- Fiber Gasket
- 150 PSI Standard Polyamide Lens / 212°F Standard Polyamide Lens
- Buna Seals Standard
- Compatible with oil, gasoline, lubricants, some solvents and chemicals

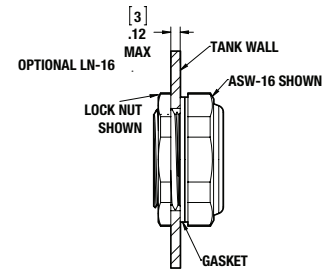
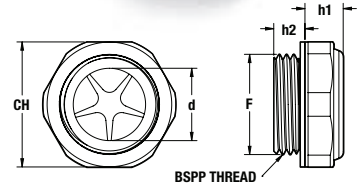
Options

- Viton Seals (300°F) / Glass Lens (300 PSI)



Dimensional Detail

MODEL	F PORT		CH	d	h1	h2	MAX PRES. (PSI)	MAX TEMP (F)	OPTIONAL LOCKNUT
ASW-6	3/8" BSPP	IN	0.9	0.5	0.4	0.4	150	212	LN-6
		MM	22	13	10	9			
ASW-8	1/2" BSPP	IN	1.1	0.6	0.4	0.4	150	212	LN-8
		MM	27	16	10	9			
ASW-12	3/4" BSPP	IN	1.3	0.8	0.4	0.5	150	212	LN-12
		MM	32	20	9	12			
ASW-16	1" BSPP	IN	1.6	1.0	0.4	0.4	150	212	LN-16
		MM	40	26	11	11			
ASW-20	1 1/4" BSPP	IN	2.0	1.3	0.6	0.5	150	212	LN-20
		MM	50	34	14	12			
ASW-8-GV	1/2" BSPP	IN	1.1	0.5	0.4	0.4	300	300	LN-8
		MM	27	12	11	9			
ASW-12-GV	3/4" BSPP	IN	1.3	0.6	0.4	0.4	300	300	LN-12
		MM	32	16	10	11			
ASW-16-GV	1" BSPP	IN	1.6	0.9	0.4	0.4	300	300	LN-16
		MM	40	23	11	11			
ASW-M18	M18 X1,5	IN	0.9	0.5	0.7	0.4	150	212	N/A
		MM	22	13	19	9			
ASW-M22	M22 X 1,5	IN	1.1	0.6	0.4	0.4	150	212	N/A
		MM	27	16	10	9			



Ordering Code

ASW — 12 — *

SERIES	SIZE	OPTIONS	
ASW	6	OMIT	NO OPTIONS
	8	V	VITON
	12	G	GLASS
	16		
	20		
	M18		
	M22		

Use LN Series Lock Nuts for through the reservoir wall installation (order separately).

*The ASW-16-GV only unit is not suitable for vacuum applications.

Press Fit Sight Windows

SLP

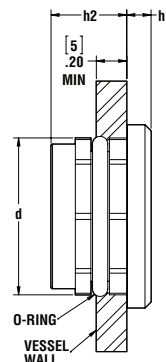
- Trogamid T sight window / Buna 70 durometer o-ring
- Minimum wall thickness reservoir is 5.0 mm
- Hole cutout in tank +.01 MM diameter of window
- Maximum temperature 212°F (100 C) degrees / Red level indicator point

Press fit oil level indicators are designed for tanks and reservoirs with a wall thickness 5.0 mm or greater wall thickness. It has excellent sealing capability with ribs and a 70 durometer o-ring in a close tolerance to cutout hole. The SLP has a red dot indicator located on front of lens and white reflector for an accurate view of the oil level. These press fit oil windows can be removed and cleaned if required.

The SLP oil windows are produced from Trogamid T, which gives the SLP window mechanical strength and compatibility with oil, gasoline, fuel, and most solvents. They can be used on gearboxes, and hydraulic reservoirs, or lube reservoirs.

Dimensional Detail

MODEL	HOLE DIAMETER		d	D	h1	h2
SLP-17	17 +- 0.1 MM	IN	0.39	0.7	0.1	0.3
		MM	10	18	3	7
SLP-20	20 +- 0.1 MM	IN	0.55	0.9	0.2	0.4
		MM	14	24	4	10
SLP-26	26 +- 0.1 MM	IN	0.79	1.2	0.2	1
		MM	20	30	4	11.5
SLP-32	32 +- 0.1 MM	IN	0.94	1.4	0.2	0.5
		MM	24	36	4	13
SLP-38	38 +- 0.1 MM	IN	1.18	1.7	0.2	0.6
		MM	30	42	4	14
SLP-40	40 +- 0.1 MM	IN	1.25	1.7	0.2	0.6
		MM	32	44	4	14



See website technical bulletin TB.TA12.708 for further information at (Technical Data - www.lenzinc.com).



Rubber Bushings

LRB Series

- 70 Durometer Nitrile Rubber
- 1/8" to 2" pipe and tube diameters
- Compatible with mineral & petroleum based fluids
- Available in packages of 10
- -65°F to + 250°F operating temperature

A comprehensive range of rubber bushings designed to reduce vibration noise and seal pipes and tubes in the reservoir top plate. Do not use below the oil level.

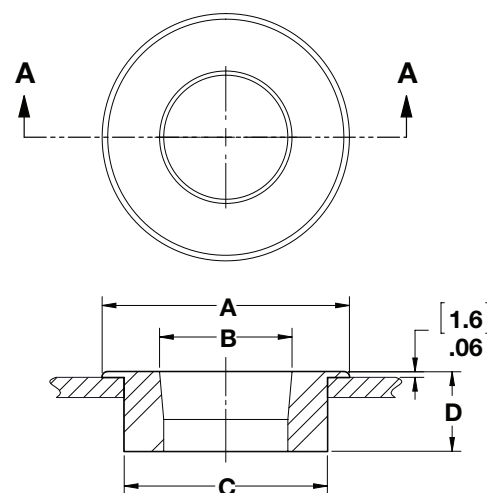
Provides oil-tight and dust proof sealing of hydraulic lines into the reservoir.



Dimensional Detail

MODEL	B PIPE	B TUBE	B MM	A INS	MM	C INS	MM	D INS	MM
LRB-2801		1/4"	6	1.2	30	0.7	18.3	0.7	18
LRB-2802			8	1.2	30	0.7	18.3	0.7	18
LRB-2803		3/8"		1.2	30	0.7	18.3	0.7	18
LRB-2804	1/8"		10	1.2	30	0.7	18.3	0.7	18
LRB-2805		1/2"	12	1.2	30	0.7	18.3	0.7	18
LRB-2806	1/4"		14	1.6	40	1.1	28.5	0.9	24
LRB-2807			15	1.6	40	1.1	28.5	0.9	24
LRB-2808		5/8"	16	1.6	40	1.1	28.5	0.9	24
LRB-2809	3/8"			1.6	40	1.1	28.5	0.9	24
LRB-2810			18	1.6	40	1.1	28.5	0.9	24
LRB-2811		3/4"		1.6	40	1.1	28.5	0.9	24
LRB-2812			20	1.6	40	1.1	28.5	0.9	24
LRB-2813	1/2"			1.6	40	1.1	28.5	0.9	24
LRB-2814		7/8"	22	1.6	40	1.1	28.5	0.9	24
LRB-2815			25	2.2	55	1.7	42.5	0.9	24
LRB-2816	3/4"			2.2	55	1.7	42.5	0.9	24
LRB-2817			28	2.2	55	1.7	42.5	0.9	24
LRB-2818			30	2.2	55	1.7	42.5	0.9	24
LRB-2819		1 1/4"		2.2	55	1.7	42.5	0.9	24
LRB-2820	1"			2.2	55	1.7	42.5	0.9	24
LRB-2821			35	2.2	55	1.7	42.5	0.9	24
LRB-2822		1 1/2"	38	2.8	70	2.3	58.5	0.9	24
LRB-2823			42	2.8	70	2.3	58.5	0.9	24
LRB-2824	1 1/4"			2.8	70	2.3	58.5	0.9	24
LRB-2825	1 1/2"			2.8	70	2.3	58.5	0.9	24
LRB-2826		2"	50	2.8	70	2.3	58.5	0.9	24
LRB-2827	2"			3.1	80	2.7	68.5	0.9	24

See website technical bulletin TB.TA08.708 for further information.



"We have redesigned our Web-Site to better serve our customers and make ordering the products you need everyday more convenient."

Visit us online @www.lenzinc.com today and see just how easy ordering your products can be.



Tank Clean-out Covers

Model TC

LENZ has introduced a new series of tank covers, "TC Series". The tank covers include six models, ranging from a 6" to an 18" diameter. The TC Series tank covers are designed for ease of servicing hydraulic reservoirs through sidewall or through tank top.

Features Include:

- Zinc plated steel
- Sizes 10", 12", 14", 16", 18" diameter
- Buna lip seal included with cover
- Nylon crush washer included with cover
- Torque recommendation 15ft. lbs.
- Tank baffler adapter (TC-BA) available-order separately
- Tank end cover bolts 5/8"-11 available-order separately, specify length

Options:

- Drain available-add "D" to part number (3/4" NPT Port)
- Stainless steel-add "SS" to model number (304 SS)
- EPDM gasket for fireproof Hydraulic fluids (TC-G-**-EPDM)
- TC-BR bracket can be ordered for tank w/o baffle (see website)

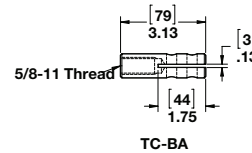
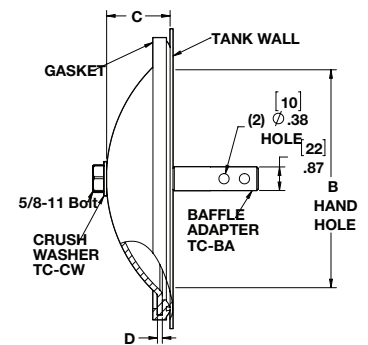
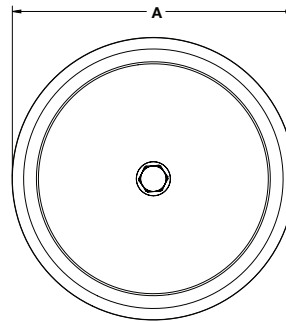
MODEL		A	B	C	D	GASKET	"L" BOLT	ACCESS HOLE
TC-10	IN	10"	8"	1.75"	7 GA.	TCG-10	1 1/4"	8"
	MM	254	203	44				
TC-12	IN	12"	10"	1.75"	7 GA.	TCG-12	1 3/4"	10"
	MM	305	254	44				
TC-14	IN	14"	12"	1.75"	7 GA.	TCG-14	1 3/4"	12"
	MM	356	305	44				
TC-16	IN	16"	14"	1.75"	7 GA.	TCG-16	2"	14"
	MM	406	356	44				
TC-18	IN	18"	16"	2"	7 GA.	TCG-18	2 1/2"	16"
	MM	457	406	51				



TC-12
With Lip Seal



TC-12D
With Lip Seal



Access Cover

Model TC-6

Features Include:

- 6" diameter steel black powder coat
- Maximum hole is 5" diameter
- Nylon crush washer

Options:

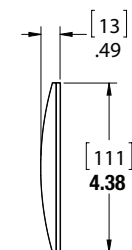
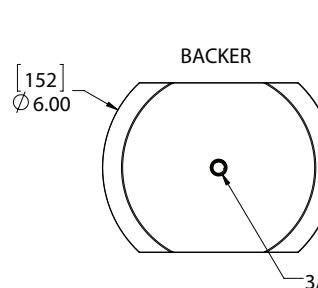
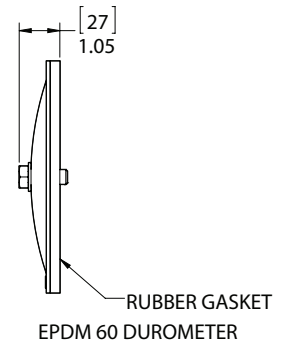
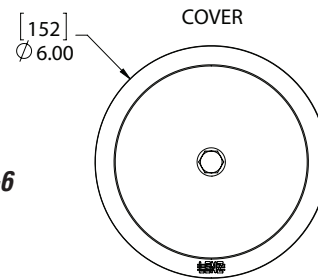
- Stainless steel (-SS) suffix

MODEL	D	GASKET	"L" BOLT	ACCESS HOLE
TC-6	14 GA.	TCG-6	3/8" x 1 1/4"	5"

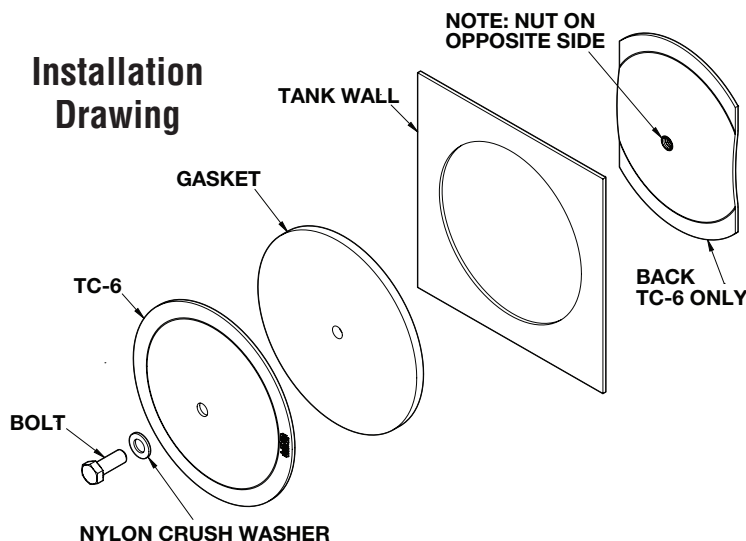


TC-6

Dimensional Drawing



Installation Drawing





Reservoir Flanges

Suction and Return Line
Models SF & RF

LENZ Reservoir Flanges

Afford a leakproof seal for pipes or tubes passing through the reservoir top... keep fluid in, dirt out. No welding, no unions, and saves on piping assembly time. Both types come completely packaged with the parts as shown and with templates... ready for quick, easy installation. Meet ASA standards. They serve as economical inspection ports.

Suction



Return



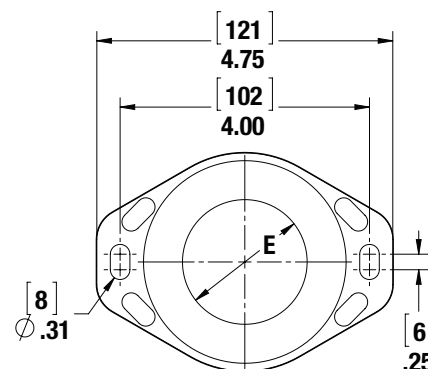
Suction Flanges

No. SF & SFO are designed for the suction pipe line of the reservoir. The parts are installed on the top of the tank as shown in the diagram, Figure 1. The larger models, SFO-24 to SFO-48, permit the use of filters larger than 4 1/2" in diameter*. All sizes allow the easy removal of suction strainers from ASA standard reservoirs.

Return Line Flanges

No. RF

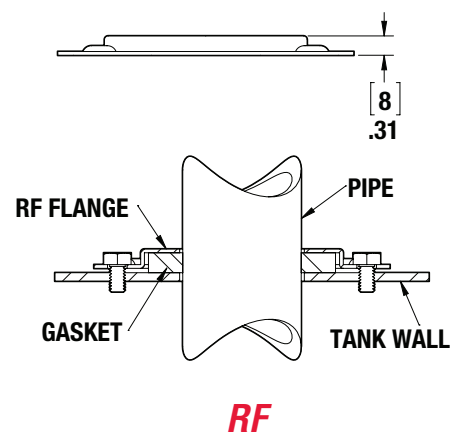
Return Flanges are designed to accommodate the return pipe to the tank. The parts, as shown, are quickly and easily installed on the tank as shown in the diagram Figure 2. Range of model sizes and internal washer sizes are shown in table below in RF Models.



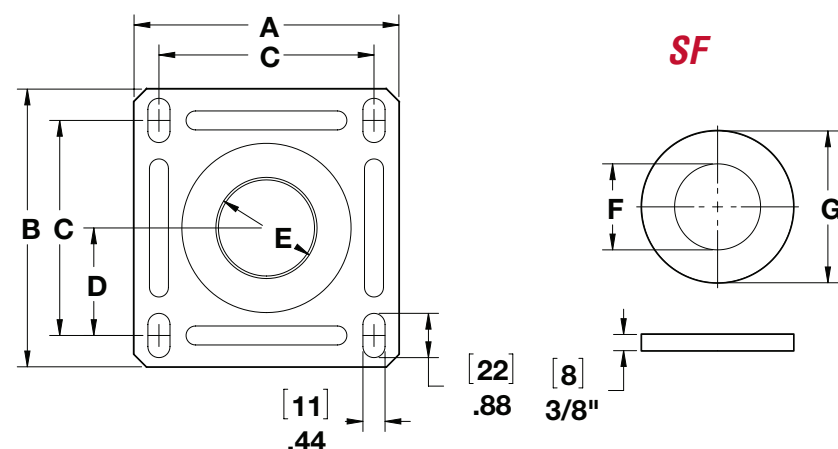
Dimensional Detail SF, SFO

PIPE SIZE	SUCTION FLANGE	RETURN FLANGE		A	B	C	D	E	F	G
1/2"	SF-8	RF-8	IN	5.3"	5.5"	4.3"	2.1"	1.4"	0.8"	3"
			MM	135	140	109	53	36	20	76
3/4"	SF-12	RF-12	IN	5.3"	5.5"	4.3"	2.1"	1.4"	1"	3"
			MM	135	140	109	53	36	25	76
1"	SF-16	RF-16	IN	5.3"	5.5"	4.3"	2.1"	1.4"	1.3"	3"
			MM	135	140	109	53	36	33	76
1 1/4"	SF-20	RF-20	IN	5.3"	5.5"	4.3"	2.1"	2"	1.7"	3"
			MM	135	140	109	53	51	43	76
1 1/2"	SF-24		IN	5.3"	5.5"	4.3"	2.1"	2"	1.9"	3"
			MM	135	140	109	53	51	43	76
1 1/2"	SFO-24	RF-24	INN	7.5"	7.5"	6.3"	3.1"	2"	1.9"	3"
			MM	191	191	160	79	51	48	76
2"	SFO-32	RF-32	IN	7.5"	7.5"	6.3"	3.1"	2.5"	2.3"	3"
			MM	191	191	160	79	64	58	76
2 1/2"	SFO-40		IN	7.5"	7.5"	6.3"	3.1"	3"	2.8"	4.25"
			MM	191	191	160	79	76	71	108
3"	SFO-48		IN	7.5"	7.5"	6.3"	3.1"	3.8"	3.5"	4.25"
			MM	191	191	160	79	97	89	108
NONE		RF BLANK								

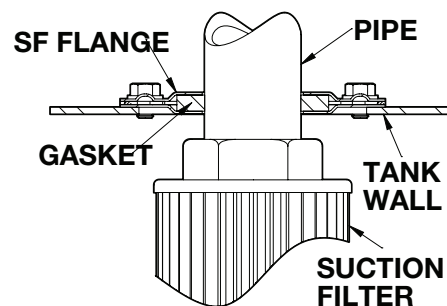
*SF Models permit use of sump strainers up to 4 1/2" in diameter.
SFO Models permit use of sump strainers up to 6 1/2" in diameter.



RF



SF



See website technical bulletin TB.TA08.708 for further information.



Magnetic Drain Plugs

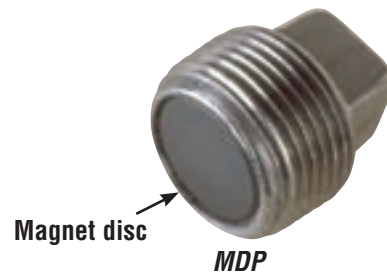
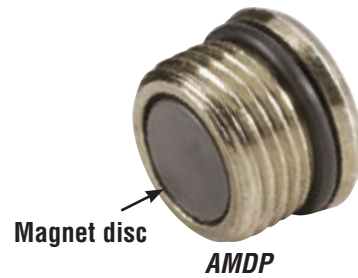
AMDP, MDP, and TMA Magnetic Drain Plug

LENZ Magnet Plugs are similar to standard pipe or straight thread drain plugs with one important difference, a permanent magnet is fastened to the plug body. This magnet attracts and holds abrasive, ferrous metal particles preventing their circulation through the lubrication or hydraulic system.

These abrasive, ferrous metal particles appear in lubricating or hydraulic systems as a result of the following conditions:

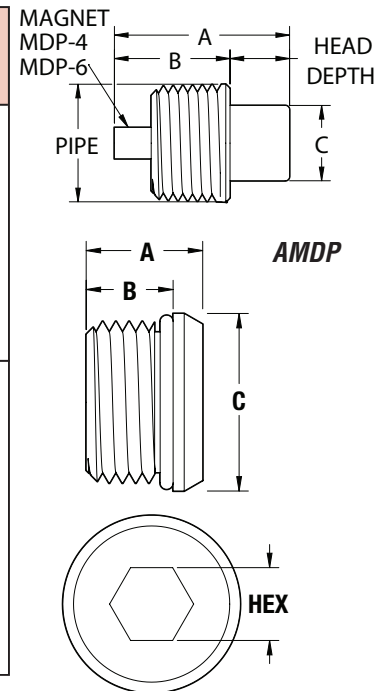
- The constant flaking effect of normal wear of moving parts
- Particles not removed by flushing operations after boring or machining.
- Chipping due to sub-surface casting flaws.
- Minute component breakdown caused by stress usage.

Usually a combination of factors accounts for the presence of these particles that cause excessive wear to vital components unless they are removed. By holding these particles, LENZ Magnetic Drain Plugs prevent excessive wear to the system's components.



Dimensional Detail

Model Number	Port Size	Magnet Style	Overall A Length in. mm	B Body Length in. mm	Magnet Projection in. mm	C Head Size in. mm	Head Depth in. mm	Body Material	Style
MDP-4	1/4" NPT	Bar Alnico V	.96 (24)	.45 (11)	.23 (6)	.37 9	.28 7	Steel	Square Head
MDP-6	3/8" NPT	Disc Ferrite	.80 (20)	.47 (11)	.21 (5)	.43 11	.34 9	Steel	
MDP-8	1/2" NPT	Disc Ferrite	.96 (24)	.57 (14)	—	.56 14	.38 10	Steel	
MDP-12	3/4" NPT	Disc Ferrite	1.11 (28)	.62 (15)	—	.62 16	.45 11	Steel	
MDP-16	1" NPT	Disc Ferrite	1.52 (38)	.75 (19)	—	.81 21	.52 13	Mall. Iron	
AMDP-6	9/16"-18 SAE	Disc Ferrite	.48 (12)	.38 (10)	—	.63 16	.28 7	Steel	Hollow Hex
AMDP-8	3/4"-16 SAE	Disc Ferrite	.56 (14)	.44 (11)	—	.83 21	.32 8	Steel	
AMDP-10	7/8"-14 SAE	Disc Ferrite	.63 (16)	.47 (12)	—	.96 24	.40 10	Steel	
AMDP-12	1 1/16"-12 SAE	Disc Ferrite	.75 (19)	.47 (12)	—	1.13 29	.40 10	Steel	
AMDP-16	1 5/16"-12 SAE	Disc Ferrite	.75 (19)	.47 (12)	—	1.38 35	.40 10	Steel	
AMDP-20	1 5/8"-12 SAE	Disc Ferrite	.75 (19)	.47 (12)	—	1.70 43	.40 10	Steel	



See website technical bulletin TB.TA27.914 for further information at (Technical Data - www.lenzinc.com).

Magnetic Aluminum Plugs

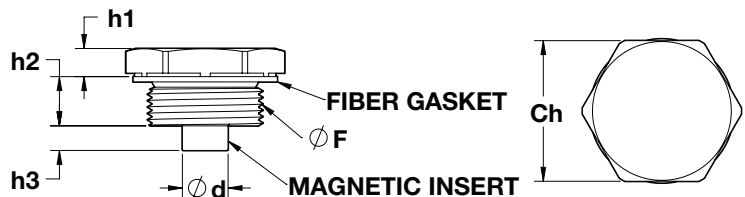
TMA

Specifications

- 11S aluminum hex head plug
- Operating temperature 212 F (100 C)
- Pressed in magnet
- BSPP threads standard
- Fast 202 Fiber Gaskets

Options

- Aluminum gasket



Dimensional Detail

MODEL	F PORT THREAD		Ch	d	h1	h2	h3	TORQUE
TMA-14	1/4" BSPP	IN	0.75	0.20	0.28	0.39	0.24	6Ft.-1Lbs.
		MM	19	5	7.0	10.0	6.0	8NM
TMA-38	3/8" BSPP	IN	0.87	0.31	0.28	0.39	0.28	6Ft.-1Lbs.
		MM	22	8	7.0	10.0	7.0	8NM
TMA-12	1/2" BSPP	IN	1.06	0.39	0.31	0.39	0.28	7Ft.-1Lbs.
		MM	27	10	8.0	10.0	7.0	10NM
TMA-34	3/4" BSPP	IN	1.34	0.51	0.31	0.39	0.28	7Ft.-1Lbs.
		MM	34	13	8	10	7	10NM
TMA-1	1" BSPP	IN	1.57	0.51	0.31	0.55	0.28	7Ft.-1Lbs.
		MM	40	13	8	14	7	10NM





Magnetic Tank Cleaners

Multi Magnet Standard or Heavy Duty

LENZ magnetic tank cleaners pick up material that ordinary filters miss and thus maintain cleaner oil. The cleaner the oil, the less problems and expense incurred.

Exceptionally efficient, each unit is composed of a large ceramic magnet and two circular pole pieces.

Multi-magnet tank cleaners come in two models: standard and heavy-duty. Heavy-duty is recommended when support rods are long, power units are large or shipping abuse is anticipated. Although the magnetic unit is the same, heavy-duty is manufactured with a 5/8"-18 x 1" long thread solid steel support rod while the standard tank cleaner contains a 1/8" x 1" NPT long thread pipe size support rod.

To clean, simply use ordinary air hose using compressed air.

Order pipe plugs separately. Pipe plugs are optional and are furnished in 2 1/2" size. The minimum opening that will accommodate the unit is 2" pipe size or a hole approximately 2 1/4" in diameter. If desired, it can be installed in the cover of any opening larger than this.

Optional: Plug Part No. 40P (For 1/8" NPT)
HD40P (For 5/8"-18 Rod)

Note** Special Rod Lengths Available

Demonstration of the Tank Cleaner's Magnetic Power



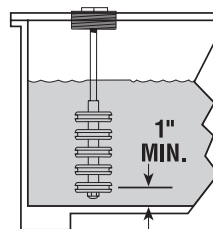
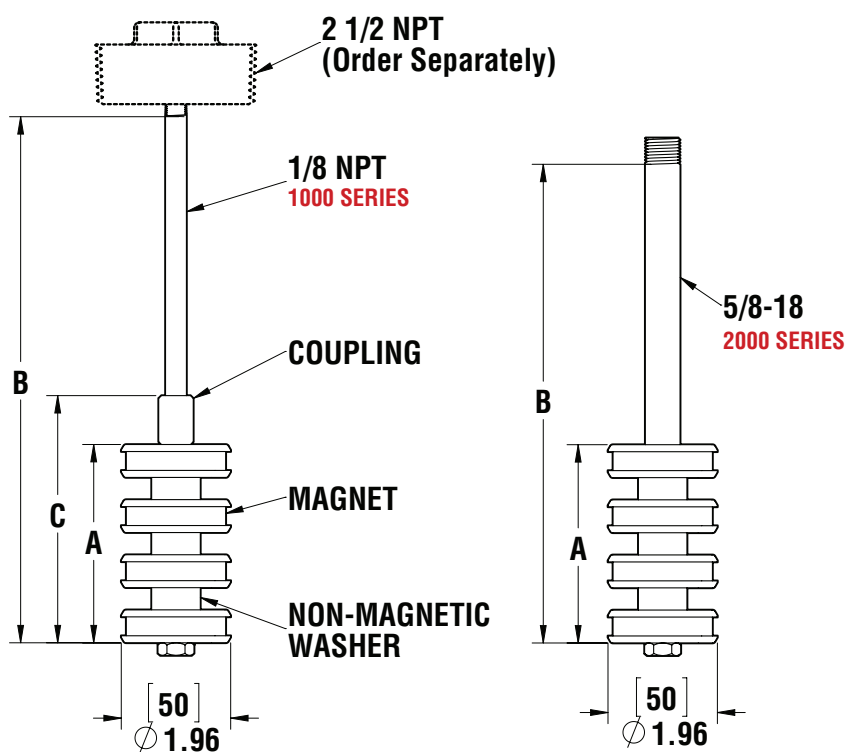
Standard Multi-Magnet 1000 Series

MODEL NO.		C	B	RESERVOIR CAPACITY
1001	IN MM	1.6" 41	6.6" 168	0-10
1002	IN MM	2.7" 69	7.7" 196	10-30
1003	IN MM	3.8" 97	8.8" 224	30-60
1004	IN MM	4.8" 122	9.8" 249	60-100
1005	IN MM	5.9" 150	10.9" 277	100-150
1006	IN MM	7" 178	12" 305	150-210
1007	IN MM	8" 203	13" 330	210-280
1008	IN MM	9.1" 231	14.1" 358	280-350

Heavy Duty Multi-Magnet 2000 Series

MODEL NO.		A	B	RESERVOIR CAPACITY
2001	IN MM	0.8" 20	5.8" 147	0-10
2002	IN MM	2" 51	7" 178	10-30
2003	IN MM	3" 76	8" 203	30-60
2004	IN MM	4.1" 104	9.1" 231	60-100
2005	IN MM	5.3" 135	10.3" 262	100-150
2006	IN MM	6.2" 157	11.2" 284	150-210
2007	IN MM	7.3" 185	12.3" 312	210-280
2008	IN MM	8.3" 211	13.3" 338	280-350

Steel Support Rods are 12L14
Stainless Support Rods are 303CD



MULTI-MAGNET

TYPICAL INSTALLATION



WF Weld Flange
See page 48a



Slim Line Magnet Tank Cleaners

In-Line Magnets Standard or Heavy-Duty

The primary difference between slim line and regular tank cleaners is in the smaller diameter of the slim line. Capable of being inserted into a hole tapped for a 3/4" plug, the cleaner is especially useful in small reservoirs, gear boxes and other applications where space is at a premium.

Since there is a ratio between length and diameter of a magnet for greatest power, each unit is designed to give maximum magnetic power possible in a small space.

Slim Line Tank Cleaners are available in two models: standard and heavy-duty. Although the magnetic unit is the same, heavy-duty (4000) is manufactured with a 5/8"-18 x 1" long thread solid steel support rod while the standard (3000) contains a 1/8" x 1" long thread NPT pipe size support rod.

To clean, simply remove from reservoir and wipe with a clean cloth every 3 to 6 months.

Order pipe plugs separately. Pipe plugs for installing in the top of the reservoir are optional and are furnished in 3/4" and 1 1/4". If space is available, it is recommended that the 1 1/4" plug be used for ease of removal.

3/4" Plug Part No.

12P (For 1/8" NPT Rod)

HD 12P (For 5/8"-18 Rod)

1 1/4" Plug Part No.

20P (For 1/8" NPT Rod)

HD 20P (For 5/8"-18 Rod)

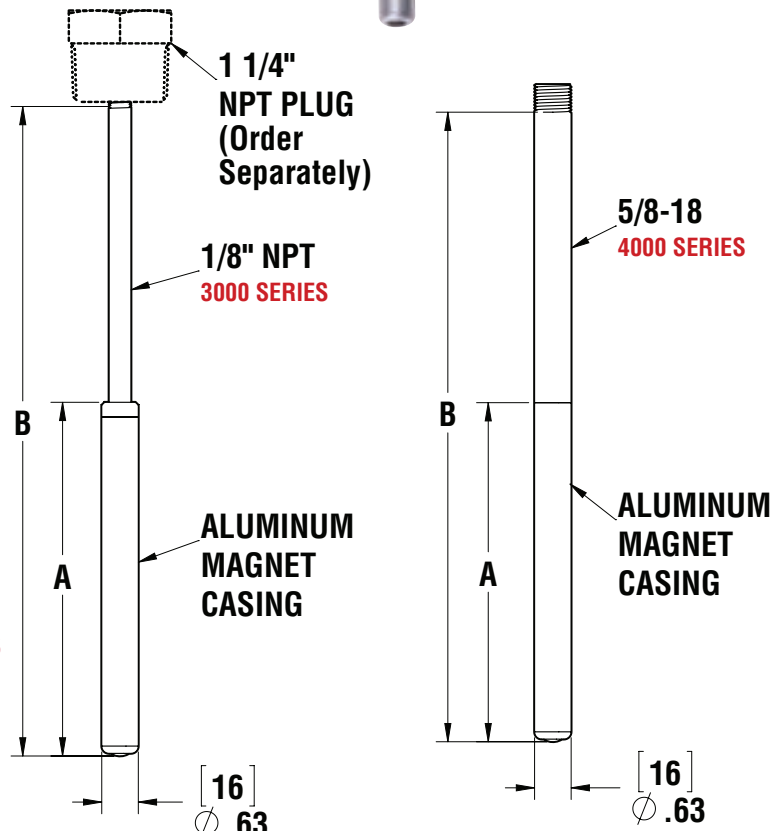
Note** Special Rod Lengths Available

Standard Slim Line 3000 Series

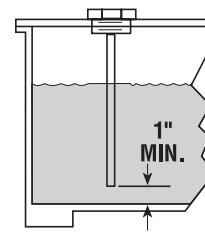
MODEL NO.		A	B
3002	IN	6"	11"
	MM	152	279
3003	IN	8.5"	13.5"
	MM	216	343
3004	IN	11"	16"
	MM	279	406
3005	IN	13.5"	18.5"
	MM	343	470
3006	IN	16"	21"
	MM	406	533
3007	IN	18.5"	23.5"
	MM	470	597
3008	IN	21"	26"
	MM	533	660
3009	IN	23.5"	28.5"
	MM	597	724
3010	IN	26"	31"
	MM	660	787

Heavy Duty Slim Line 4000 Series

MODEL NO.		A	B
4002	IN	5.8"	10.8"
	MM	147	274
4003	IN	8.3"	13.3"
	MM	211	338
4004	IN	10.8"	15.8"
	MM	274	401
4005	IN	13.3"	18.3"
	MM	338	465
4006	IN	15.8"	20.8"
	MM	401	528
4007	IN	18.3"	23.3"
	MM	465	592
4008	IN	20.8"	25.8"
	MM	528	655
4009	IN	23.3"	28.3"
	MM	592	719
4010	IN	25.8"	30.6"
	MM	655	777



WF Weld Flange
See page 48a



SLIM-LINE
TYPICAL INSTALLATION

Steel Support Rods are 12L14
Stainless Support Rods are 303CD



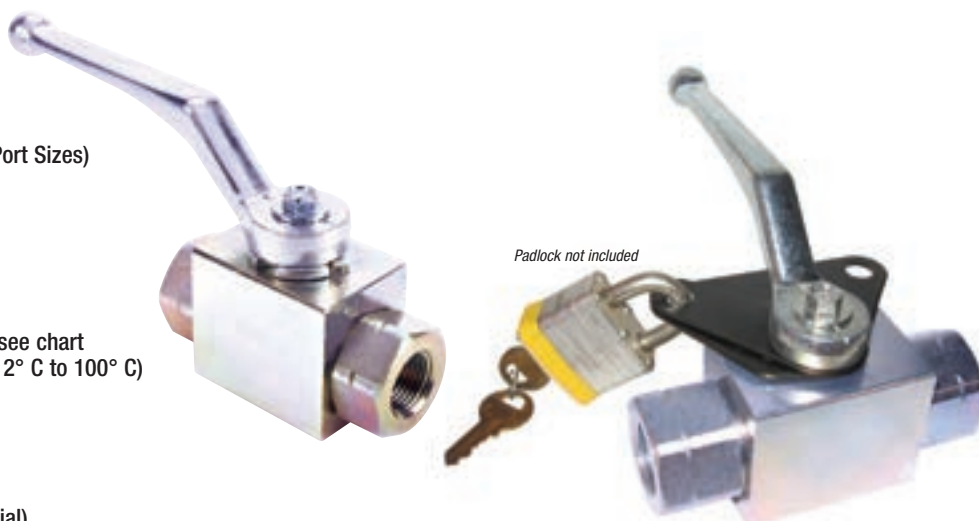
High Pressure SERIES

Carbon Steel Body Zinc Plated (1/4" - 1 1/4" Port Sizes)

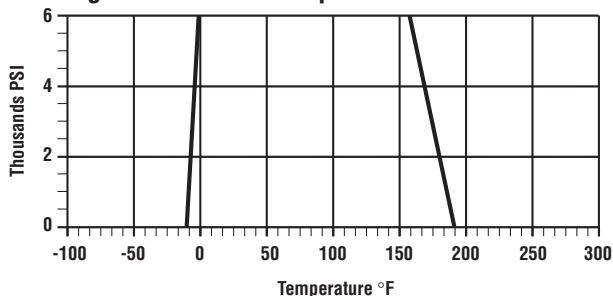
- Forged Body (1 1/2", 2 Port sizes)
- Full Port Sizes
- Hard Chrome Plated Steel Ball
- Delrin +MoS2 Ball Seals
- Viton "O"-Ring
- NPT, SAE
- Operating Pressures to 7250 PSI (500 Bar) see chart
- Operating Temperature -20° F to 212° F (-12° C to 100° C)

Options

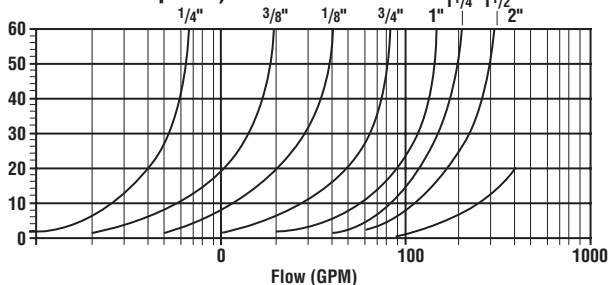
- Lock Kits
- Stainless Steel
- Temperature Range -60° F to 400° F (-50 C to 200 C depending upon seal material)



Working Pressure and Temperature

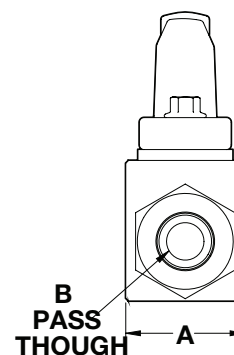


Pressure Drop PSI

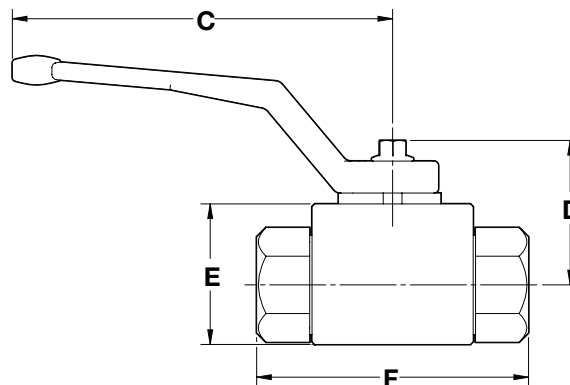


Dimensional Detail

MODEL NUMBER	SAE MODEL	PORT SIZE	WORKING PRESSURE		A	B	C	D	E	F	WEIGHT LBS/KG
LHBV-4	LBVA-4	1/4"	7350	IN	1"	0.2"	4.6"	1.2"	1.3"	2.7"	0.8"
				MM	10	5	24	30	80	44	0.4
LHBV-6	LBVA-6	3/8"	7350	IN	1.3"	0.4"	4.6"	1.2"	1.5"	3.1"	1.1"
				MM	10	10	24	30	80	44	0.5
LHBV-8	LBVA-8	1/2"	7350	IN	1.4"	0.5"	4.6"	1.2"	1.6"	4.1"	1.4"
				MM	15	13	31	30	80	51	0.6
LHBV-12	LBVA-12	3/4"	5880	IN	1.9"	0.8"	7.2"	1.8"	2.2"	4.3"	3.3"
				MM	20	20	37	46	113	57	1.5
LHBV-16	LBVA-16	1"	5145	IN	2.3"	0.9"	7.2"	2"	2.6"	4.6"	4.4"
				MM	25	23	45	51	113	70	2
LHBV-20	LBVA-20	1 1/4"	5145	IN	3"	0.9"	8.5"	2.5"	3.3"	4.3"	4.6"
				MM	32	23	57	64	138	81	2.1
LHBV-24	LBVA-24	1 1/2"	5145	IN	3.6"	0.9"	8.5"	2"	3.9"	5.1"	13"
				MM	40	23	70	51	138	94	5.9
LHBV-32	LBVA-32	2"	6175	IN	4.2"	0.9"	8.5"	2.9"	4.4"	5.5"	19"
				MM	45	23	84	74	157	112.5	8.6



REPLACEMENT HANDLES	Size	REPLACEMENT SEALS	LOCKING KITS
BVH-4	1/4"	BVH-SK-4	LK-1
BVH-6	3/8"	BVH-SK-6	LK-1
BVH-8	1/2"	BVH-SK-8	LK-1
BVH-12	3/4"	BVH-SK-12	LK-2
BVH-16	1"	BVH-SK-16	LK-2
BVH-20	1 1/4"	BVH-SK-20	LK-2
BVH-24	1 1/2"	BVH-SK-24	LK-3
BVH-32	2"	BVH-SK-32	LK-3



See website technical bulletin TB.TA05.708 for further information at (Technical Data - www.lenzinc.com).



Low Pressure Ball Valves

Model LPBV

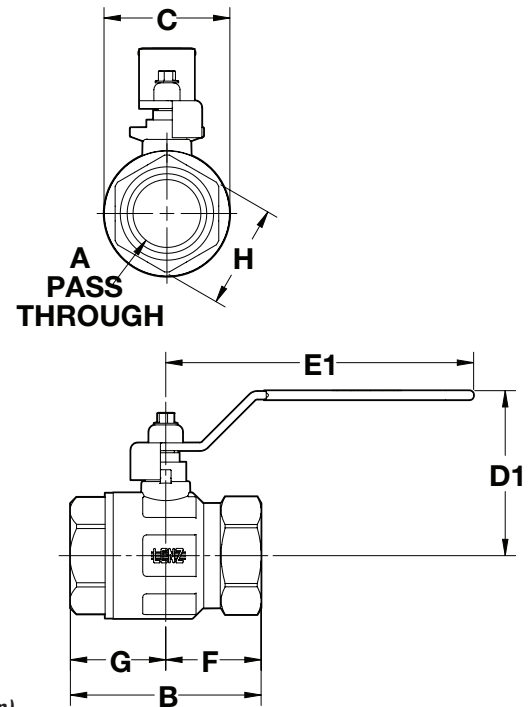
- 1/4" through 4" NPT Full ported
- Forged Brass body nickel plated
- Blow out proof stems
- Pressures to 735 PSI (50 bar)
- Teflon ball and stem seals
- Suitable for oil, water, gas, fuel, gasoline, acid, and compressed air
- Operating temperatures -22° F to +350° F (-30C to +162 C)
- Quarter Turn
- Locking and Stainless valves consult the factory



A = Ball Bore

Dimensional Detail

MODEL NUMBER	NPT THREAD	WORKING PRESSURE		A	B	C	D1	E1	F	G	WEIGHT LBS/KG
LPBV-4	1/4"	735	IN	0.4"	1.7"	0.9"	1.5"	3.1"	0.9"	0.9"	0.3
			MM	10	44.4	23.5	37	80	22.2	22.2	0.1
LPBV-6	3/8"	735	IN	0.4"	1.7"	0.9"	1.5"	3.1"	0.9"	0.9"	0.3
			MM	10	44.4	24	37	80	22.2	22.2	0.1
LPBV-8	1/2"	735	IN	0.6"	2"	1.2"	1.6"	3.1"	1"	1"	0.4
			MM	15	51	30.5	41	80	25.5	25.5	0.2
LPBV-12	3/4"	590	IN	0.8"	2.2"	1.5"	2.2"	4.4"	1.1"	1.2"	0.7
			MM	20	57	37	55	113	28	29.5	0.3
LPBV-16	1"	590	IN	1"	2.8"	1.8"	2.3"	4.4"	1.4"	1.4"	1
			MM	25	70	45.5	59	113	35	35	0.5
LPBV-20	1 1/4"	440	IN	1.3"	3.2"	2.2"	2.9"	5.4"	1.6"	1.6"	2
			MM	32	80.5	57	74.5	137.5	40.5	40	0.9
LPBV-24	1 1/2"	440	IN	1.6"	3.7"	2.8"	3.2"	5.4"	1.9"	1.8"	3
			MM	40	94	70	80.5	137.5	47.5	46.5	1.4
LPBV-32	2"	370	IN	1.8"	4.4"	3.3"	3.8"	6.2"	2.2"	2.2"	4
			MM	45	112.5	84	96.5	157	57	55.5	1.8
LPBV-40	2 1/2"	265	IN	2.1"	5"	3.8"	4.3"	7.8"	2.5"	2.5"	8
			MM	54	128	96	109	197	63.5	64.5	3.6
LPBV-48	3"	205	IN	2.6"	5.8"	4.7"	5"	9.8"	2.9"	2.9"	13
			MM	65	148	119	126	250	73.5	74.5	5.9
LPBV-64	4"	180	IN	3.1"	6.7"	5.4"	5.3"	9.8"	3.3"	3.3"	22
			MM	80	169	138	135	250	85	84	10



See website technical bulletin TB.TA25.1212 for further information at (Technical Data - www.lenzinc.com).

REPLACEMENT HANDLES	VALVE SIZE
LPBV-H468	LPBV-4
LPBV-H468	LPBV-6
LPBV-H468	LPBV-8
LPBV-1216	LPBV-12
LPBV-1216	LPBV-16
LPBV-2024	LPBV-20
LPBV-2024	LPBV-24
LPBV-H32	LPBV-32
LPBV-H40	LPBV-40
LPBV-H4864	LPBV-48
LPBV-H4864	LPBV-64
LOCK CHART	VALVE SIZE
LK-468	LPBV-4
LK-468	LPBV-6
LK-468	LPBV-8
LK-1216	LPBV-12
LK-1216	LPBV-16



Air Bleeder Valves

Model ABV

- Zinc plated steel bodies & cap (Rohs)
- Maximum operating temperature 350 F
- Maximum working pressure 3000 PSI
- 1/4", 3/8", 1/2" NPT
- Vent port

Options

- Stainless steel- add "SS" to model number (304 SS)
- "T" handle
- 1/4", 3/8", 1/2" SAE ports available (consult factory)
- Viton Seals



Tapered Pipe Thread



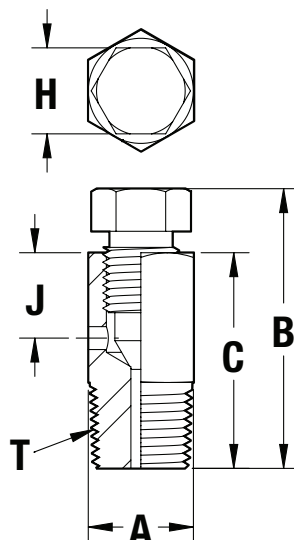
SAE Straight Thread



"T" Handle

The Lenz Air Bleed Valve is an exclusive design, extremely compact and consisting of only two metal parts. There are no internal seals used. It is a known fact that it is necessary to eliminate all air from hydraulic lines and equipment in order to maintain maximum operating efficiency makes this valve an important and vital component of the hydraulic system. It needs to be installed at the highest point in the circuit where the air accumulates. It is especially needed when starting up a hydraulic system.

It is easily installed. Please make sure when installing Lenz bleed valve to position the vent opening away from operating personnel. Always open the bleed valve slowly, some weepage will occur when the valve is opened.



ABV Dimensional Detail

MODEL	T PORT THREAD		BODY HEX A	OVERALL HEIGHT CLOSED B	BODY HEIGHT C	CAP HEX H	CENTER TO VENT J	OPEN HEIGHT	T HANDLE WIDTH	HANDLE DIA
2-ABV	1/8" NPT	IN	0.68	1.66	1.26	0.56	0.56	1.79	1.79	0.25
		MM	17.2	42.1	32.0	14.0	14.0	45.4	45.4	6.4
4-ABV	1/4" NPT	IN	0.68	1.80	1.40	0.56	0.56	2.05	1.79	0.25
		MM	17.2	46	35.5	14.0	14.0	52.0	45.4	6.4
6-ABV	3/8" NPT	IN	0.68	1.80	1.41	0.56	0.56	2.05	1.79	0.25
		MM	17.2	45.7	35.8	14.0	14.2	52.0	45.4	6.4
8-ABV	1/2" NPT	IN	0.88	1.86	1.44	0.56	0.57	2.05	1.79	0.25
		MM	22.3	47.2	36.5	14	14.4	52	45.4	6.4
A-4ABV	7/16"-20 SAE	IN	0.69	1.82	1.31	0.56	0.5	1.84	1.79	0.25
		MM	17.5	46	33.3	14.0	12.7	46.7	45.4	6.4
A-6ABV	9/16"-18 SAE	IN	0.69	1.66	1.24	0.56	0.55	1.97	1.79	0.25
		MM	17.5	42	32	14	13.9	50	45.4	6.4
A-8ABV	3/4"-16 SAE	IN	0.88	1.86	1.13	0.56	0.54	1.76	1.79	0.25
		MM	22.3	46	28.7	14	13.7	44.7	45.4	6.4

Ordering Code

A — 4ABV — SS

SERIES		PORT SIZE		MATERIAL	
OMIT	NPT	2ABV		OMIT	STEEL
A	SAE	4ABV		SS	STAINLESS STEEL
		6ABV		T	TEE HANDLE
		8ABV		V	VITON SEALS

2ABV not available in SAE



4-Bolt NPT Flanges

Inches - Black
 Millimeters - Red
 Code 61-3000 PSI

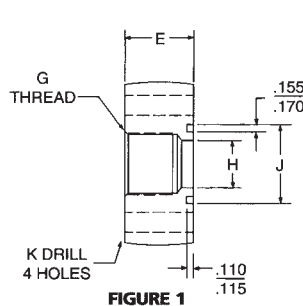
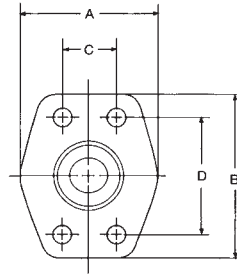


FIGURE 1



All measurements are in inches.

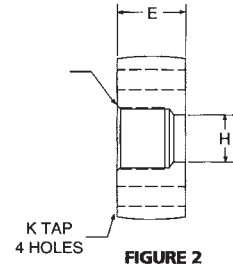


FIGURE 2

O-Ring Part No. Fig. 1	Flat Face Part No. Fig. 2	Pipe Size	Pad Size	A	B	C	D	E	F	H Dia.	J Dia.	K Dia.	L Dia. Spot Face	NPT Thread	* O Ring Part Number	* Socket Head Cap Screw Part Number	* Hi Collar Lock Washer Part Number
W43-8-8	W104-8-8	.50	.50	1.81 46.0	2.12 53.8	.688 17.48	1.500 38.10	1.25 31.8	.91 23.1	.50 12.7	1.000 25.40	.344 8.74	.500 12.70	.50 12.7	M345-15	M477-10	M478-4
W43-12-12	W104-12-12	.75	.75	2.06 52.3	2.56 65.0	.875 22.23	1.875 47.63	1.25 31.8	.84 21.3	.75 19.0	1.250 31.75	.406 10.31	.594 15.09	.75 19.0	M345-19	M477-5	M478-1
W43-16-16	W104-16-16	1.00	1.00	2.31 58.7	2.75 69.8	1.031 26.19	2.062 52.37	1.38 35.0	.97 24.6	1.00 25.4	1.560 39.62	.406 10.31	.594 15.09	1.00 25.4	M345-24	M477-6	M478-1
W43-20-20	W104-20-20	1.25	1.25	2.88 73.2	3.12 79.2	1.188 30.18	2.312 58.72	1.50 38.1	1.03 26.2	1.25 31.8	1.750 44.45	.469 11.91	.688 17.48	1.25 31.8	M345-27	M477-7	M478-2
W43-24-24	W104-24-24	1.50	1.50	3.25 82.6	3.69 93.7	1.406 35.71	2.750 69.85	1.62 41.1	1.09 27.7	1.50 38.1	2.120 53.85	.531 13.49	.781 19.84	1.50 38.1	M346-3	M477-4	M478-3
W43-32-32	W104-32-32	2.00	2.00	3.81 96.8	4.00 101.6	1.688 42.88	3.062 77.77	1.62 41.1	1.09 27.7	2.00 50.8	2.495 63.37	.531 13.49	.781 19.84	2.00 50.8	M346-6	M477-4	M478-3
W43-40-40	W104-40-40	2.50	2.50	4.28 108.7	4.50 114.3	2.000 50.80	3.500 88.90	2.00 50.8	1.47 37.3	2.50 63.5	3.000 76.20	.531 13.49	.781 19.84	2.50 63.5	M346-10	M477-9	M478-3
W43-48-48	W104-48-48	3.00	3.00	5.16 131.1	5.31 134.9	2.438 61.93	4.188 106.38	2.25 57.2	1.59 40.4	3.00 76.2	3.620 91.95	.656 16.66	.969 24.61	3.00 76.2	M346-15	M477-11	M478-5

*These parts are not supplied under fitting Catalog Number. Must be in Flange Kit.

SAE FOUR BOLT FLANGE KITS

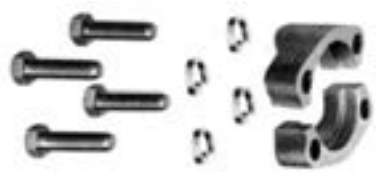


- Code 61**
 Size LENZ P/N
 3/4" W43-12-12K
 1" W43-16-16K
 1 1/4" W43-20-20K
 1 1/2" W43-24-24K
 2" W43-32-32K
 2 1/2" W43-40-40K



- Code 61**
 Size LENZ P/N
 3/4" W4-12-12K
 1" W4-16-16K
 1 1/4" W4-20-20K
 1 1/2" W4-24-24K
 2" W4-32-32K
 2 1/2" W4-40-40K
 3" W4-48-48K

SPLIT FLANGE KITS



- Code 61**
 Size LENZ P/N
 3/4" 12SFK
 1" 16SFK
 1 1/4" 20SFK
 1 1/2" 24SFK
 2" 32SFK

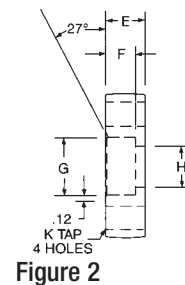
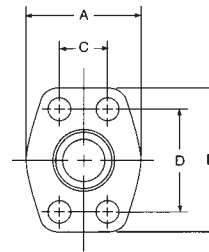
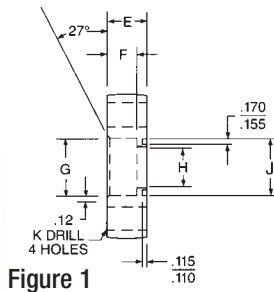


- Code 62**
 Size LENZ P/N
 3/4" 12SFXX
 1" 16SFXX
 1 1/4" 20SFXX
 1 1/2" 24SFXX
 2" 32SFXX



4-Bolt Socket Weld Flanges

Inches - Black
Millimeters - Red*



3000 PSI Flat Socket - Pipe (Code 61)

O-Ring Part Number Fig. 1	Flat Face Part Number Fig. 2	Pipe Size	Pad Size	A	B	C ±.010	D ±.010	E	F	G Dia. +.015 -.005	H Dia.	J Dia.	K Dia.	* O Ring Part Number	* Socket Head Cap Screw Part Number	* Hex Head Cap Screw Part Number	* Hi Collar Lock Washer Part Number
W4-8-8	W61-8-8	.50	.50	1.813 46.0	2.125 53.9	.688 12.0	1.500 38.1	.75 19.0	.56 14.2	.855 21.7	.50 12.7	1.000 25.4	.344 8.73	M345-15	M477-10	M522-11	M478-4
W4-12-12	W61-12-12	.75	.75	2.06 52.3	2.56 65.0	.875 22.23	1.875 47.63	.75 19.0	.19 4.8	1.062 26.97	.75 19.0	1.250 31.75	.406 10.31	M345-19	M477-5	M522-11	M478-1
W4-16-16	W61-16-16	1.00	1.00	2.31 58.7	2.75 69.8	1.031 26.19	2.062 52.37	.88 22.4	.25 6.4	1.328 33.73	1.00 25.4	1.560 39.62	.406 10.31	M345-24	M477-6	M522-12	M478-1
W4-20-20	W61-20-20	1.25	1.25	2.88 73.2	3.12 79.2	1.188 30.18	2.312 58.72	.94 23.9	.25 6.4	1.672 42.47	1.25 31.8	1.750 53.85	.469 13.49	M345-27	M477-7	M522-13	M478-2
W4-24-24	W61-24-24	1.50	1.50	3.25 82.6	3.69 93.7	1.406 35.71	2.750 69.85	1.19 30.2	.44 11.2	1.922 48.82	1.50 38.1	2.120 53.85	.531 13.49	M346-3	M477-8	M522-14	M478-3
W4-32-32	W61-32-32	2.00	2.00	3.81 96.8	4.00 101.6	1.688 42.88	3.062 77.77	1.38 35.0	.50 12.7	2.406 61.11	2.00 50.8	2.495 63.37	.531 13.49	M346-6	M477-9	M522-15	M478-3
W4-40-40	W61-40-40	2.50	2.50	4.28 108.7	4.50 114.3	2.000 50.80	3.500 88.90	1.75 44.4	.75 19.0	2.906 73.81	2.50 63.5	3.000 76.20	.531 13.49	M346-10	M477-14	M522-16	M478-3
W4-48-48	W61-48-48	3.00	3.00	5.16 131.1	5.31 134.9	2.438 61.93	4.188 106.38	2.12 53.8	.88 22.4	3.547 90.09	3.00 76.2	3.620 91.95	.656 16.66	M346-15	M477-16	M522-18	M478-5

6000 PSI Flat Socket - Pipe (Code 62)

O-Ring Fig. 1 Part Number	Flat Face Fig. 2 Part Number	Pipe Size	Pad Size	A	B	C	D	E	F	G	H	K Thread UNC-2B	* O Ring Part Number	* Socket Head Cap Screw Part Number	* Hex Head Cap Screw Part Number	* Hi Collar Lock Washer Part Number
W59-8-8	W60-8-8	0.50	0.50	1.94 49.2	2.30 58.4	0.718 18.2	1.594 40.4	0.870 22.1	0.560 14.2	0.855 21.72	0.500 12.7	5/16-18	M345-15	M477-10	M522-11	M478-4
W59-12-12	W60-12-12	0.75	0.75	2.38 60.4	2.81 71.3	0.937 23.8	2.00 50.13	1.250 31.7	0.560 14.22	1.063 27.0	0.750 19.0	3/8-16	M345-19	M477-23	M522-11	M478-1
W59-16-16	W60-16-16	1.00	1.00	2.75 69.8	3.19 81.0	1.094 27.79	2.250 57.15	1.00 25.4	.38 9.6	1.33 33.8	1.00 25.4	7/16-14	M345-24	M477-29	M522-13	M478-2
W59-20-20	W60-20-20	1.25	1.25	3.06 77.7	3.75 95.2	1.250 31.75	2.625 66.68	1.25 31.8	.56 14.2	1.67 42.4	1.25 31.8	1/2-13	M345-27	M477-7	M522-14	M478-3
W59-24-24	W60-24-24	1.50	1.50	3.75 95.2	4.44 112.8	1.438 36.53	3.125 79.38	1.50 38.1	.75 19.0	1.92 48.8	1.50 38.1	5/8-11	M346-3	M477-11	M522-19	M478-5
W59-32-32	W60-32-32	2.00	2.00	4.50 114.3	5.25 133.4	1.750 44.45	3.812 96.82	1.75 44.4	.88 22.4	2.41 61.2	2.00 50.8	3/4-10	M346-6	M477-17	M522-20	M478-7

500 PSI Flat Socket - Pipe

O-Ring Fig. 1 Part Number	Flat Face Fig. 2 Part Number	Pipe Size	Pad Size	A	B	C ±.010	D ±.010	E	F	G Dia. +.015 -.005	H Dia.	J Dia.	K Dia.	* O Ring Part Number	* Socket Head Cap Screw Part Number	* Hex Head Cap Screw Part Number	* Hi Collar Lock Washer Part Number
W72-48-48	W91-48-48	3.00	3.00	5.12 130.5	5.31 134.9	2.438 61.93	4.188 106.38	1.38 35.0	.25 6.4	3.547 90.09	3.00 76.2	3.620 91.95	.656 16.68	M346-15	M477-20	M522-24	M475-5
W72-56-56	W91-56-56	3.50	3.50	5.50 139.7	6.00 152.4	2.750 69.85	4.750 120.65	1.44 36.6	.25 6.4	4.047 102.79	3.50 88.9	4.105 104.26	.656 16.66	M346-19	M477-20	M522-24	M478-5
W72-64-64	W91-64-64	4.00	4.00	6.00 152.4	6.38 162.1	3.062 77.77	5.125 130.18	1.50 38.1	.25 6.4	4.578 116.28	4.00 101.6	4.605 116.97	.656 16.66	M346-23	M477-11	M522-19	M478-5



4-Bolt Deep Socket Flanges

For Pipe

Inches - Black
 Millimeters - Red
 Code 61-3000 PSI
 Tapped Holes

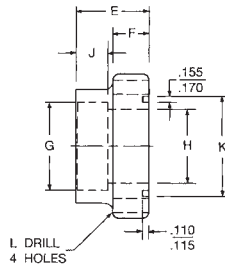


FIGURE 1

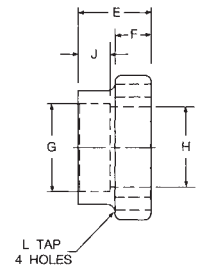
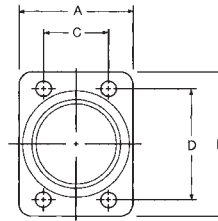
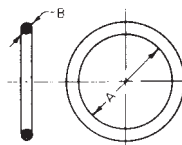


FIGURE 2

O-Ring Part No. Fig. 1	Flat Face Part No. Fig. 2	Pipe Size	Pad Size	A	B	C	D	E	F	G Dia.	H Dia.	J	K Thread UNC-2B	* O Ring Part Number	* Socket Head Cap Screw Part Number	* Hex Head Cap Screw Part Number	* Hi Collar Lock Washer Part Number
W31-12-12	W3-12-12	.75	.75	1.69 42.9	2.56 65.0	.875 22.23	1.875 47.63	1.06 26.9	.50 12.7	1.062 26.97	.75 19.0	.50 12.7	3/8-16	M345-19	M477-5	M522-11	M478-1
W31-16-16	W3-16-16	1.00	1.00	1.94 49.3	2.75 69.8	1.031 26.19	2.062 52.37	1.25 31.8	.56 14.2	1.328 33.73	1.00 25.4	.62 15.7	3/8-16	M345-24	M477-6	M522-12	M478-1
W31-20-20	W3-20-20	1.25	1.25	2.19 55.6	3.12 79.2	1.188 30.18	2.312 58.72	1.44 36.6	.62 15.7	1.672 42.47	1.25 31.8	.75 19.0	7/16-14	M345-27	M477-7	M522-13	M478-2
W31-24-24	W3-24-24	1.50	1.50	2.56 65.0	3.69 93.7	1.406 35.71	2.750 69.85	1.75 44.4	.81 20.6	1.922 48.82	1.50 38.1	1.00 25.4	1/2-13	M346-3	M477-8	M522-14	M478-3
W31-32-32	W3-32-32	2.00	2.00	3.06 77.7	4.00 101.6	1.688 42.88	3.062 77.77	2.00 50.8	1.06 26.9	2.406 61.11	2.00 50.8	1.12 28.4	1/2-13	M346-6	M477-9	M522-15	M478-3
W31-40-40	W3-40-40	2.50	2.50	3.56 90.4	4.50 114.3	2.000 50.80	3.500 88.90	2.31 58.7	1.12 28.4	2.906 73.81	2.50 63.5	1.31 33.3	1/2-13	M346-10	M477-14	M522-16	M478-3

For Fittings (SAE J515)

Part Number	Tube O.D. Ref.	I.D. A	Cross Section B
M383-4	.25	.351	.072
M383-5	.31	.414	.072
M383-6	.38	.468	.078
M383-8	.50	.644	.087
M383-10	.62	.755	.097
M383-12	.75	.924	.116
M383-14	.88	1.048	.116
M383-16	1.00	1.171	.116
M383-20	1.25	1.475	.118
M383-24	1.50	1.720	.118



O-RING



"O"-Rings

For Split Flange Clamp Heads (SAE J518)

Part Number	Flange Size	A	B
M345-15	.50	.75	.12
M345-19	.75	1.00	.12
M345-24	1.00	1.31	.12
M345-27	1.25	1.50	.12
M346-3	1.50	1.88	.12
M346-6	2.00	2.25	.12
M346-10	2.50	2.75	.12
M346-15	3.00	3.38	.12
M346-19	3.50	3.88	.12
M346-23	4.00	4.38	.12

Also Available

4-bolt flanged-head fittings

For Pipe

3000 PSI Saddle - Drilled Holes
 3000 PSI 90 Elbow - Tapped Holes
 3000 PSI 90 Elbow - Drilled Holes
 3000 PSI Boss - Drilled Holes
 3000 PSI 90 Elbow NPTF Female
 Thread - Drilled Hole

For Tube

3000 PSI Flat Socket - Drilled Holes
 3000 PSI Deep Socket - Tapped Holes
 3000 PSI Saddle - Tapped Holes
 3000 PSI Saddle - Drilled Holes
 3000 PSI 90 Elbow - Tapped Holes
 3000 PSI 90 Elbow - Drilled Holes

4-bolt flanged-head fittings and components.

For Pipe and Tube

3000 PSI Tank Pilot - Tapped Holes
 Weld Pipe Plug
 Flange Plug
 Hex Head Cap Screws
 Socket Head Cap Screws

4-bolt flanged-head components

For Pipe and Tube

Spring Lock Washers
 High Collar Spring Lock Washers
 "O"-Rings
 Connector Plates



Split Flange Halves

For SAE Flanged Head Connection
Inches - Black
Millimeters - Red

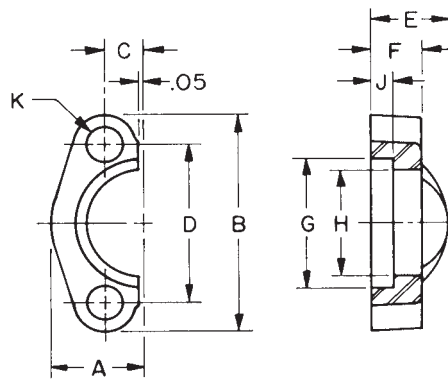


FIGURE 1

3000 PSI (SAE J518 Code 61)

Flange Part Number Fig. 1	Flange Size	A .03	B .03	C .01	D .010	E .03	F .03	G .010	H .010	J	K Dia.	* Bolt Part Number	* Lock Washer Part Number	Heck Bolt Torque Range (LB-IN)	Max Rec. Working Press (PSI)
8SF-2	.50	.86 21.8	2.12 53.8	.344 8.74	1.500 38.10	.75 19.0	.50 12.7	1.219 30.96	.955 24.26	.245 6.22	.344 8.74	M522-1	5LW	175-225	5000
12SF-2	.75	.98 24.9	2.56 65.0	.438 11.13	1.875 47.63	.88 22.4	.56 14.2	1.531 38.89	1.265 32.13	.245 6.22	.406 10.31	M522-2	6LW	250-350	5000
16SF-2	1.00	1.11 28.2	2.75 69.8	.515 13.08	2.062 52.37	.94 23.9	.62 15.7	1.781 45.24	1.515 38.48	.295 7.49	.406 10.31	M522-2	6LW	325-425	5000
20SF-2	1.25	1.39 35.3	3.12 79.2	.594 15.09	2.312 58.72	.88 22.4	.56 14.2	2.031 51.59	1.720 43.69	.295 7.49	.469 11.91	M522-3	7LW	425-550	4000
24SF-2	1.50	1.58 40.1	3.69 93.7	.703 17.86	2.750 69.85	1.00 25.4	.62 15.7	2.406 61.11	2.000 50.80	.297 7.54	.531 13.49	M522-4	8LW	550-700	3000
32SF-2	2.00	1.86 47.2	4.00 101.6	.844 21.44	3.062 77.77	1.03 26.2	.62 15.7	2.844 72.24	2.470 62.74	.355 9.02	.531 13.49	M522-4	8LW	650-800	3000
40SF-2	2.50	2.09 53.1	4.50 114.3	1.000 25.40	3.500 88.90	1.50 38.1	.75 19.1	3.344 84.94	2.950 74.93	.355 9.02	.531 13.49	M522-5	8LW	950-1100	2500
48SF-2	3.00	2.53 64.3	5.31 134.9	1.219 30.96	4.188 106.38	1.62 41.1	.88 22.3	4.031 102.39	3.580 90.93	.355 9.02	.656 16.66	M522-7	10LW	1650-1800	2000
56SF-2	3.50	2.70 68.6	6.00 152.4	1.375 34.93	4.750 120.65	1.12 28.4	.88 22.3	4.531 115.09	4.030 102.36	.422 10.72	.656 16.66	M522-8	10LW	1400-1600	500

See Page 44b for Kits

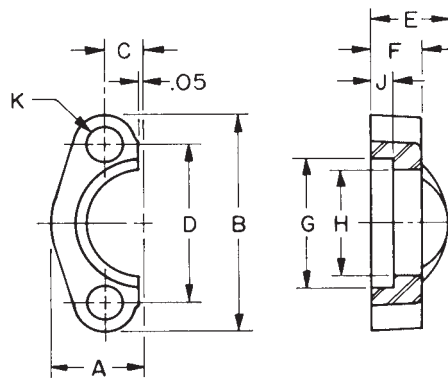


FIGURE 1

6000 PSI (SAE J518 Code 62)

Flange Part Number Fig. 1	Flange Size	A .03	B .03	C .01	D .010	E .03	F .03	G .010	H .010	J	K Dia.	* Bolt Part Number	* Lock Washer Part Number	Heck Bolt Torque Range (LB-IN)	Max Rec. Working Press (PSI)
12SFX-2	.75	1.14 19.0	2.81 29.0	.469 71.4	2.000 11.91	1.12 50.80	.75 28.4	1.656 19.0	1.280 42.06	.325 32.51	.406 8.26	M522-1	6LW	300-400	6000
16SFX-2	1.00	1.33 25.4	3.19 33.8	.547 81.0	2.250 13.89	1.31 57.15	.94 33.3	1.906 23.9	1.530 48.41	.355 38.86	.469 9.02	M522-13	7LW	500-600	6000
20SFX-2	1.25	1.48 31.8	3.75 37.6	.625 95.2	2.625 15.88	1.50 66.68	1.06 38.1	2.156 26.9	1.750 54.76	.385 44.45	.531 9.78	M522-5	8LW	750-900	6000
24SFX-2	1.50	1.83 38.1	4.44 46.5	.719 112.8	3.125 18.26	1.69 79.38	1.19 42.9	2.531 30.2	2.030 64.29	.475 51.56	.656 12.07	M522-9	10LW	1400-1600	6000
32SFX-2	2.00	2.20 50.8	5.25 55.9	.875 133.4	3.812 22.23	2.06 96.82	1.44 52.3	3.156 36.6	2.660 80.16	.475 67.56	.781 12.07	M522-26	12LW	2400-2600	6000

*These parts are not supplied under fitting Catalog Number. Must be ordered separately.
To order two split flange halves plus hardware, drop the -2 after the SF or SFX.

See page 44b for kits



Notes



*"Download These, Technical
Bulletins & Data Sheets
at our newly designed
website: www.lenzinc.com"*

Hydraulic Tank Accessories Technical Bulletins

TB.TA01.708	AN-WB Weld Bushings	TB.TA13.708	Seal Compatibility Guide
TB.TA02.708	LWBA Weld Adapters	TB.TA14.708	TC-6 Installation Instructions
TB.TA03.708	Hydraulic Necks & Caps	TB.TA15.708	Temperature Conversion Chart
TB.TA04.708	Diesel Necks & Caps	TB.TA16.708	Chromium Free Plating
TB.TA05.708	High Pressure Ball Valve Locking Kit	TB.TA17.708	Diesel Fill Necks
TB.TA06.708	LLG & T-LLG Sight Level Gauge Instructions	TB.TA18.811	PV-601 Installation Instructions
TB.TA07.708	Filler Breather Filters	TB.TA19.811	AS-NY-4 Anti Splash Breather
TB.TA08.708	Suction, Return Flanges, Return Bushings	TB.TA20.811	Breather Assembly Instructions
TB.TA09.708	Fluid Level & Temperature Gauges	TB.TA21.811	R.E.A.C.H. Compliance
TB.TA10.708	Pressurized Filler Breathers	TB.TA22.811	Super Filler Assembly
TB.TA11.708	Anti Splash Filler Breathers	TB.TA23.811	550 Level Gauge Installation
TB.TA12.708	LSD, LSG, LLG 3,5 Material Compatibility	TB.TA24.811	Side Mount Installation
		TB.TA25.1212	Low Pressure Ball valves

LENZ

P R E S S U R E G A U G E S



GLYCERINE FILLED GAUGES
DRY GAUGES
PROCESS GAUGES
PRESSURE TRANSMITTERS
WATER GAUGES

GAUGE ISOLATORS
SIPHONS
CHEMICAL SEALS
BI METAL THERMOMETERS
AMMONIA GAUGES



Pressure Gauges Table of Contents



SERIES	PRESSURE GAUGES	SECTION C Page
PG	Product Overview Index	
PG	Features of Lenz Gauges	1c
BAC-25	Glycerine 2.5" Dial Brass Case	2c
AFC-25	Glycerine 2.5" Dial Stainless Case	3c
SS-25	Glycerine 2.5" Dial Stainless Case & Internals	4c
AFC-20	Glycerine 2" Dial Stainless Case	5c
LZ15, LZ20	Dry 1.5" & 2" Dial ABS Case	6c
LZ-25	Dry 2.5" Dial Steel Case	7c
BAC-4	Glycerine 4.0" Dial Brass Case	8c
AFC-4	Glycerine 4.0" Dial Stainless Case	9c
SS-4	Glycerine 4.0" Dial Stainless Case & Internals	10c
PRO 45	Process 4.5" Dial, ABS Case	11c
AMM-25	Dry 2.5" Refrigeration Stainless Case	11c
LOW-25	Dry 2.5" Dial, Steel Capsule & Case	12c
BMT	Bi-Metal, 3" & 5" Dial Stainless Case	13c/14c
LZAT	Transmitters	15c/16c
LDPG-30	Digital Gauge	17c-19c
GV-4R, GV-4	Gauge Isolators, Gauge Shutoff	20c
GV-4N, MID	Mid Ind Dial, Shutoff Valve	21c
	Optional Threads, Adapters for Pressure Gauges	22c
SIP	Vents, Plugs, Siphons	23c
MS,HDS, LGS	Chemical Seals, Snubbers	24c
	Technical Bulletins	25c

Built For SUPERIOR Performance



BAC



AFC



SS

Lenz offers you a pressure gauge that gives extra long life and superior performance under the most difficult job conditions.

The Lenz Series Glycerin-Filled Gauges offer you the finest choice in gauges where severe pulsation, vibration and corrosive atmosphere are factors. The glycerin serves to permanently lubricate and prevent corroding of the movement, effectively dampens pulsation and vibration to the degree that there is no pointer flutter or oscillation. Completely sealed . . . steam, gas or any fluids are kept out, there is never any condensation and clear visibility of the dial is always assured. These gauges will last years and years longer than ordinary gauges and

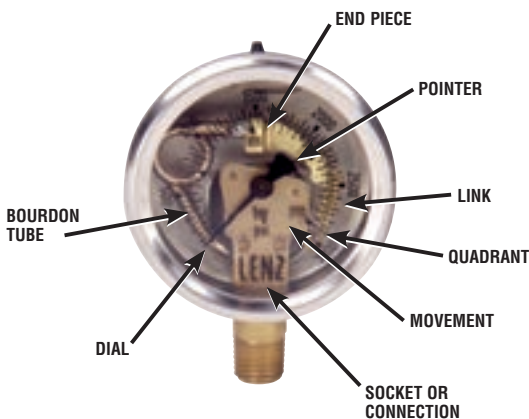
provide accurate and positive reading at all times. The built-in dampening mechanism requires no adjustment after installation . . . there is nothing better.

While principally offered to the hydraulics field, these gauges have many other applications in refineries, petrochemicals, and in many manufacturing industries.

Rugged, accurate and dependable, these Lenz pressure gauges promise the reliable, long-term service and performance required by today's diversified needs.

Outstanding Features of Lenz Pressure Gauges

- *Glycerin or Silicone should not be used in applications involving oxidizing media such as oxygen, chlorine, nitric acid, hydrogen peroxide and others, because of the danger of a spontaneous chemical reaction.*



DIAL FACE

White coated aluminum face with black coated aluminum pointer.

UNBREAKABLE LENS

Completely sealed unbreakable plexiglass lens gives long life under the most rugged conditions.

BOURDON TUBE

Copper alloy up to 800 P.S.I. safety coiled copper alloy for 800 P.S.I. and higher.

BOURDON TUBE 4" GAUGE

Copper alloy up to 1500 P.S.I. safety coiled alloy steel, 1500 P.S.I. and higher.

SERVICE

In case blow-out plug operation is necessary, the gauge can be serviced in the field for refilling glycerin.

SUPERIOR BRASS MOVEMENT

Precision machined and highly finished bearing surfaces are practically frictionless providing dependable accuracy. The movement of all internal parts is permanently sealed and dampened by the glycerin fluid. The effects of pulsation and vibration are virtually eliminated. No pointer flutter.

SAFETY BLOW-OUT PLUG

A rubber disc relief valve, located on top of the gauge, vents case pressure build-up at 5 P.S.I.. Acts as a filler cap.

RESTRICTOR

Assists in dampening, acts much like a pressure snubber.

INDIVIDUALLY PACKED

Boxed in rugged corrugated mailer type boxes for protection during shipping or on the shelf.

HOW TO SELECT THE PROPER GAUGE-

The proper gauge for your application should read at least 60% above the maximum pressure of the system so that the maximum reading would be approximately in the middle of the dial.

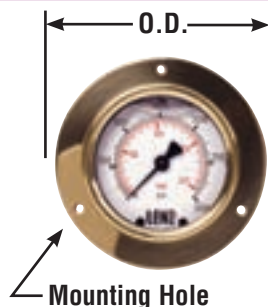
To order a gauge: (1) Select the type of gauge; (2) Choose the dial size; (3) Determine the pressure range from appropriate table; (4) Give correct model number from same tables; (5) Add suffix "FF" for Brass Front Flange, "FFC" for Chrome Front Flange and "UC" for U-Clamp to Model Number.

FRONT FLANGES

Flanges ordered with gauge are installed at factory. May be purchased separately and added at a later date.

Dimensions: For 2 1/2" Gauge Flange - (3) 9/64" Holes On 2 15/16" Bolt Circle, 3 5/16" O.D.

Dimensions: For 4" Gauge Flange - (3) 3/16" Holes On 4 9/16" Bolt Circle, 5 3/16" O.D.



See Technical Bulletins TB.PG01.708, TB.PG02.708, TB.PG03.708, TB.PG04.708, TB.PG05.708, TB.PG06.708, TB.PG13.811, for further information at (Technical Data – www.lenzinc.com)



BAC-25 Brass Case

Dial Size: 2 1/2" Glycerin Filled
 Pressure Ranges: 30" HG to 15,000 P.S.I./Bar (Dual Scale)
 Accuracy: Within 1.5% of Maximum Graduation
 Case: Forged Brass With Polished Brass ABS
 Bourdon Tube: Copper Alloy-Up to 800 P.S.I.
 Safety Coiled Copper Alloy for 800 P.S.I. and Higher
 Movement: Brass With Highly Finished Bearing Surfaces
 Connection: 1/4" Male NPT Brass Bottom or Rear Center Connection
 (Optional Threads See Page 19c)
Safety Blow-Out Plug Included.
Restrictors Standard to Restrict Pulsations.



BAC-25



BAC-25RC-FFC

BAC-25 MOUNTING OPTIONS, ADD SUFFIX:

- "FF" for Brass Front Flange - Example: BAC-5M-25RC-FF
- "FFC" for Chrome Front Flange - Example: BAC-160-25RC-FFC
- "UC" for U-Clamp - Example: BAC-3M-25RC-UC
- "MID" Maximum Indicating Dial available for BAC Series see page 21c.

BAC-25 Series Brass Case, glycerin filled are designed for rugged application due to the bourdon tube being brazed to the one-piece brass case/ socket. LENZ Brass pressure gauges are known for their reliability in the field where vibrations and pulsation can occur.

STD. BOTTOM MOUNT MODEL NUMBER	REAR CENTER MOUNT MODEL NUMBER	FULL RANGE		FIGURE INTERVAL		GRADUATION INTERVAL	
		ENGLISH P.S.I.	METRIC BAR	P.S.I.	BAR	P.S.I.	BAR
BAC-15-25	BAC-15-25RC	0-15	0-1	3	.2	.25	.02
BAC-30-25	BAC-30-25RC	0-30	0-2	5	.5	.5	.05
BAC-60-25	BAC-60-25RC	0-60	0-4	10	1	1	.1
BAC-100-25	BAC-100-25RC	0-100	0-7	20	1	2	.2
BAC-160-25	BAC-160-25RC	0-160	0-10	20	2	2	.2
BAC-200-25	BAC-200-25RC	0-200	0-14	20	2	4	.2
BAC-300-25	BAC-300-25RC	0-300	0-20	50	5	5	.5
BAC-400-25	BAC-400-25RC	0-400	0-28	50	5	5	.5
BAC-500-25	BAC-500-25RC	0-500	0-35	100	10	5	.5
*BAC-600-25	BAC-600-25RC	0-600	0-42	100	10	10	1
BAC-800-25	BAC-800-25RC	0-800	0-56	100	10	10	1
*BAC-1M-25	BAC-1M-25RC	0-1000	0-70	200	10	10	2
BAC-1500-25	BAC-1500-25RC	0-1500	0-100	300	20	25	2
*BAC-2M-25	BAC-2M-25RC	0-2000	0-140	400	20	25	2
*BAC-3M-25	BAC-3M-25RC	0-3000	0-210	500	50	50	5
*BAC-5M-25	BAC-5M-25RC	0-5000	0-350	1000	50	100	5
BAC-6M-25	BAC-6M-25RC	0-6000	0-420	1000	100	100	10
BAC-7500-25	BAC-7500-25RC	0-7500	0-510	1000	100	100	10
BAC-10M-25	—	0-10000	0-700	2000	200	200	10
BAC-15M-25	BAC-15M-25RC	0-15000	0-1000	3000	200	500	50

*S.A.E. 7/16"-20 connection in stock

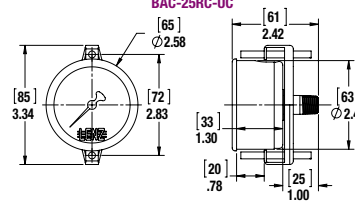
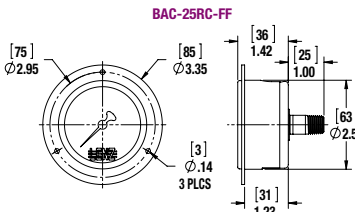
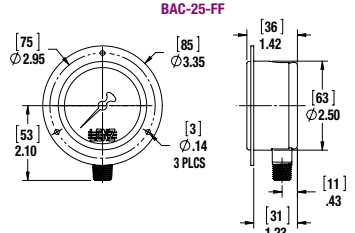
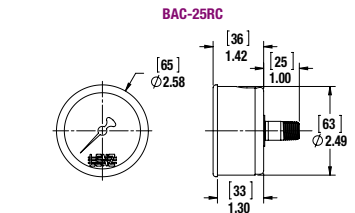
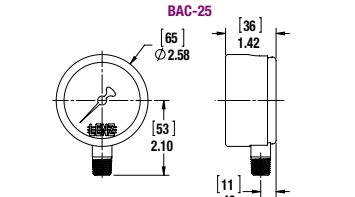
2 1/2" Glycerin-Filled Dual Scale Vacuum Gauges

STD. BOTTOM MOUNT MODEL NUMBER	REAR CENTER MOUNT MODEL NUMBER	FULL RANGE		FIGURE INTERVAL		GRADUATION INTERVAL	
		ENGLISH HG	METRIC BAR	HG	BAR	HG	BAR
BAC-30HG-25	BAC-30HG-25RC	0-30"	0-1	5	.2	1	.02

Compound Gauges-Vacuum to Pressure

Use where pressures may vary from above atmospheric to below atmospheric.

STD. BOTTOM MOUNT MODEL NUMBER	REAR CENTER MOUNT MODEL NUMBER	FULL RANGE		FIGURE INTERVAL	
		ENGLISH HG & P.S.I.	METRIC BAR	HG & P.S.I.	BAR
BAC-30-15-25	BAC-30-15-25RC	30"-0-15	-1-0-1	10" & 5	.2 & .2
BAC-30-30-25	BAC-30-30-25RC	30"-0-30	-1-0-2	10" & 10	1 & 1
BAC-30-60-25	BAC-30-60-25RC	30"-0-60	-1-0-4	10" & 10	1 & 1
BAC-30-100-25	BAC-30-100-25RC	30"-0-100	-1-0-7	30" & 20	1 & 1
BAC-30-160-25	BAC-30-160-25RC	30"-0-160	-1-0-10	30" & 20	1 & 2
BAC-30-200-25	BAC-30-200-25RC	30"-0-200	-1-0-14	30" & 40	1 & 2





AFC-25 Stainless Steel Case

Dial Size: 2 1/2" Glycerin Filled
 Pressure Ranges: 30" HG to 15,000 P.S.I./Bar (Dual Scale)
 Accuracy: Within 2.0% of Maximum Graduation
 Case: 304SS Stainless Steel
 Bourdon Tube: Phosphor Bronze
 Movement: Brass with Highly Finished Bearing Surfaces
 Connection: 1/4" Male NPT Brass Bottom or Rear Center Connection
 (Optional Threads See Page 19c)

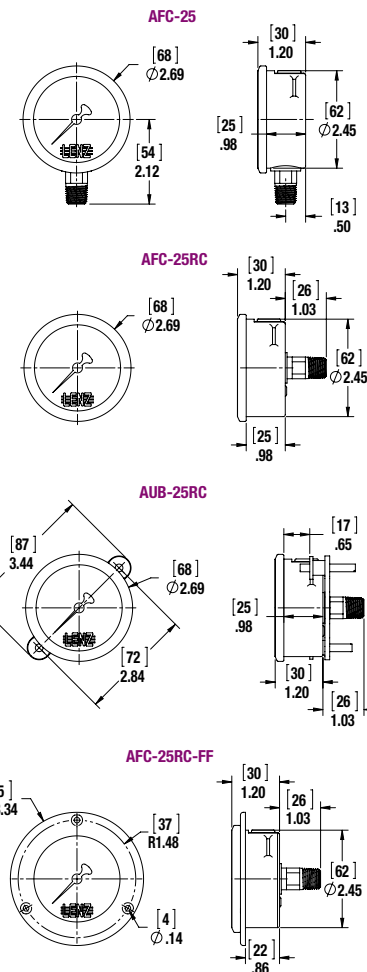
Safety Blow-Out Plug Included/Restrictors Standard
AFC-25RC (REAR CENTER) MOUNTING OPTIONS, ADD SUFFIX:
 "FF" for Polished Stainless Steel Front Flange - Example: AFC-5M-25RC-FF
 "U-Clamp" Models, Model Number Changes to "AUB" - See Chart Below
 "MID" Maximum Indicating Dial available for AFC Series see page 21c.



Lenz's AFC-25 Series Pressure Gauges feature a stainless steel case, brass stem, glycerin filled which are ideal for severe pulsation, vibration and where corrosive atmospheres are a factor. These Lenz pressure gauges are perfect for the original equipment manufacturers (O.E.M.) and other hydraulic and pneumatic equipment due to being cost effective.

STD. BOTTOM MOUNT MODEL NUMBER	REAR CENTER MOUNT MODEL NUMBER	PANEL MOUNT U-CLAMP MODEL NUMBER	FULL RANGE		FIGURE INTERVAL		GRADUATION INTERVAL	
			ENGLISH P.S.I.	METRIC BAR	P.S.I.	BAR	P.S.I.	BAR
AFC-15-25	AFC-15-25RC	AUB-15-25RC	0-15	0-1	3	.2	.25	.02
AFC-30-25	AFC-30-25RC	AUB-30-25RC	0-30	0-2	5	.5	.5	.5
AFC-60-25	AFC-60-25RC	AUB-60-25RC	0-60	0-4	10	1	1	.1
AFC-100-25	AFC-100-25RC	AUB-100-25RC	0-100	0-7	20	2	2	.1
AFC-160-25	AFC-160-25RC	AUB-160-25RC	0-160	0-10	20	2	2	.2
AFC-200-25	AFC-200-25RC	AUB-200-25RC	0-200	0-14	40	4	4	.4
AFC-300-25	AFC-300-25RC	AUB-300-25RC	0-300	0-20	50	5	5	.5
AFC-400-25	AFC-400-25RC	AUB-400-25RC	0-400	0-28	50	5	5	.5
AFC-500-25	AFC-500-25RC	AUB-500-25RC	0-500	0-35	100	5	10	.5
AFC-600-25	AFC-600-25RC	AUB-600-25RC	0-600	0-40	100	10	10	1
AFC-800-25	AFC-800-25RC	AUB-800-25RC	0-800	0-56	100	10	10	1
AFC-1M-25	AFC-1M-25RC	AUB-1M-25RC	0-1000	0-70	200	20	20	1
AFC-1500-25	AFC-1500-25RC	AUB-1500-25RC	0-1500	0-100	300	20	50	5
AFC-2M-25	AFC-2M-25RC	AUB-2M-25RC	0-2000	0-140	400	40	40	4
*AFC-3M-25	AFC-3M-25RC	AUB-3M-25RC	0-3000	0-210	500	50	50	5
AFC-4M-25	AFC-4M-25RC	AUB-4M-25RC	0-4000	0-300	500	50	50	5
*AFC-5M-25	AFC-5M-25RC	AUB-5M-25RC	0-5000	0-350	1000	100	100	10
*AFC-6M-25	AFC-6M-25RC	AUB-6M-25RC	0-6000	0-420	1000	100	100	10
AFC-7500-25	AFC-7500-25RC	AUB-7500-25RC	0-7500	0-420	1000	100	100	10
AFC-10M-25	AFC-10M-25RC	AUB-10M-25RC	0-10000	0-700	2000	200	200	10
AFC-15M-25	AFC-15M-25RC	AUB-15M-25RC	0-15000	0-1000	3000	200	500	50

* S.A.E. Connection Stock



2 1/2" Stainless Case-Brass Movement Compound Gauges

STD. BOTTOM MOUNT MODEL NUMBER	REAR CENTER MOUNT MODEL NUMBER	PANEL MOUNT CLAMP REAR CENTER MOUNT MODEL NUMBER	FULL RANGE		FIGURE INTERVAL	
			ENGLISH HG & P.S.I.	METRIC BAR	ENGLISH HG & P.S.I.	METRIC BAR
AFC-30-30-25	AFC-30-30-25RC	AUB-30-30-25RC	30"-0-30	-1-0-2	10" & 10	1 & 1
AFC-30-60-25	AFC-30-60-25RC	AUB-30-60-25RC	30"-0-60	-1-0-4	10" & 10	1 & 1
AFC-30-100-25	AFC-30-100-25RC	AUB-30-100-25RC	30"-0-100	-1-0-7	30" & 20	1 & 1
AFC-30-200-25	AFC-30-200-25RC	AUB-30-200-25RC	30"-0-200	-1-0-14	30" & 40	1 & 2

2 1/2" Stainless Case-Brass Movement Vacuum Gauges

STD. BOTTOM MOUNT MODEL NUMBER	REAR CENTER MOUNT MODEL NUMBER	PANEL MOUNT CLAMP REAR CENTER MOUNT MODEL NUMBER	FULL RANGE		FIGURE INTERVAL		GRADUATION INTERVAL	
			ENGLISH HG	METRIC BAR	ENGLISH HG	BAR	ENGLISH HG	BAR
AFC-30HG-25	AFC-30HG-25RC	AUB-30HG-25RC	0-30"	0-1	5	.2	1	.02

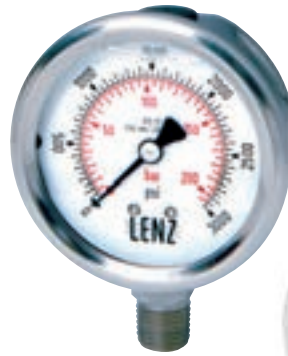


SS-25 Stainless Steel Case-Stainless Movement

Dial Size: 2 1/2" Glycerin Filled
 Pressure Ranges: 30" HG to 15,000 P.S.I./Bar (Dual Scale)
 Accuracy: Within 2% of the first quarter of scale
 1% for the next one half of scale
 2% for the last quarter of scale

Case: Stainless Steel
 Bourdon Tube: 316 Stainless Steel
 Movement: 316 Stainless Steel with Highly Polished Bearing Surfaces
 Connection: 1/4" Male NPT, 316 Stainless Steel
 Safety Blow-Out Plug Included
 Restrictors Standard

SS-25-RC (REAR CENTER) MOUNTING OPTIONS, ADD SUFFIX:
 "FF" for Polished Stainless Steel Front Flange - Example: SS-1M-25RC-FF
 "UC" for Stainless Steel U-Clamp - Example: SS-3M-25RC-UC
 "MID" Maximum Indicating Dial available for SS Series see page 21c.



SS-25



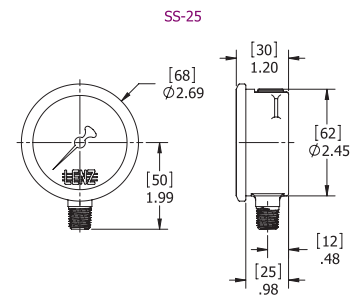
SS-25RC-FF



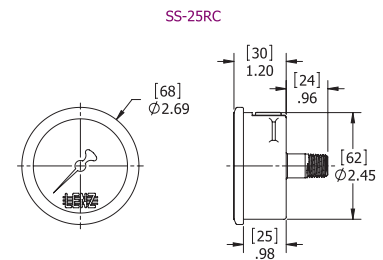
BACK

SS-25 Series All Stainless Steel Pressure Gauges feature a stainless steel case, 316 stainless steel bourdon tube and stem, glycerin filled for severe punishment and years of service in the field.

STD. BOTTOM MOUNT MODEL NUMBER	REAR CENTER MOUNT MODEL NUMBER	FULL RANGE		FIGURE INTERVAL		GRADUATION INTERVAL	
		ENGLISH P.S.I.	METRIC BAR	P.S.I.	BAR	P.S.I.	BAR
SS-30-25	SS-30-25RC	0-30	0-2	5	.5	.5	.05
SS-60-25	SS-60-25RC	0-60	0-4	10	1	1	.1
SS-100-25	SS-100-25RC	0-100	0-7	20	2	2	.1
SS-160-25	SS-160-25RC	0-160	0-10	20	2	2	.2
SS-200-25	SS-200-25RC	0-200	0-14	40	4	4	.4
SS-300-25	SS-300-25RC	0-300	0-20	50	5	5	.5
SS-600-25	SS-600-25RC	0-600	0-40	100	10	10	1
SS-1M-25	SS-1M-25RC	0-1000	0-70	200	20	20	1
SS-1500-25	SS-1500-25RC	0-1500	0-100	300	20	50	5
SS-2M-25	SS-2M-25RC	0-2000	0-140	400	40	40	4
SS-3M-25	SS-3M-25RC	0-3000	0-210	500	50	50	5
SS-5M-25	SS-5M-25RC	0-5000	0-350	1000	100	100	10
SS-6M-25	SS-6M-25RC	0-6000	0-420	1000	100	100	10
SS-10M-25	SS-10M-25RC	0-10000	0-700	2000	200	200	10
SS-15M-25	SS-15M-25RC	0-15000	0-1000	3000	200	500	50



SS-25



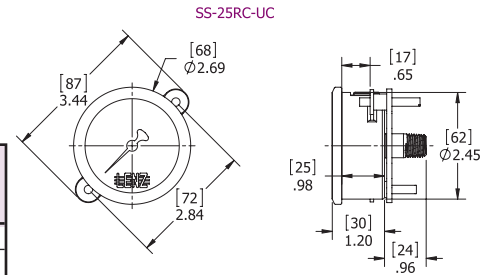
SS-25RC

2 1/2" Stainless Steel

Compound Gauges - Standard Ranges

Use where pressures may vary from above atmospheric to below atmospheric.

STD. BOTTOM MOUNT MODEL NUMBER	REAR CENTER MOUNT MODEL NUMBER	FULL RANGE		FIGURE INTERVAL	
		ENGLISH HG & P.S.I.	METRIC BAR	ENGLISH HG & P.S.I.	METRIC BAR
SS-30-30-25	SS-30-30-25RC	30"-0-30	-1-0-2	10" & 10	1 & 1
SS-30-60-25	SS-30-60-25RC	30"-0-60	-1-0-4	10" & 10	1 & 1
SS-30-160-25	SS-30-160-25RC	30"-0-160	-1-0-10	30" & 20	1 & 2

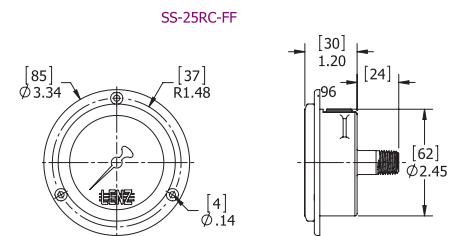


SS-25RC-UC

Vacuum Gauges

Use where pressures may vary from above atmospheric to below atmospheric.

STD. BOTTOM MOUNT MODEL NUMBER	FULL RANGE		FIGURE INTERVAL		GRADUATION INTERVAL	
	ENGLISH HG	METRIC BAR	HG	BAR	HG	BAR
SS-30HG-25	0-30"	0-1	5"	2	1"	.02
SS-30HG-25RC	0-30"	0-1	5	2	1	.02



SS-25RC-FF



AFC-20 Stainless Steel Case

- Dial Size: 2" Glycerin Filled
- Pressure Ranges: 30" HG to 5,000 P.S.I./Bar (Dual Scale)
- Accuracy: Within 2.0% of Maximum Graduation
- Case: Stainless Steel
- Bourdon Tube: Phosphor Bronze
- Movement: Brass with Highly Polished Bearing Surfaces
- Connection: 1/8" Standard and (1/4" NPT, Optional)
Bottom Connection or Rear Center
- Safety Blow-Out Plug Included / Restrictors Standard

AFC-20-RC MOUNTING OPTIONS, ADD SUFFIX:

"FF" for Polished Stainless Steel Front Flange

Example: AFC-160-20RC-FF

"U-Clamp" Models, Model Number Changes to "AUB"



AFC-20RC

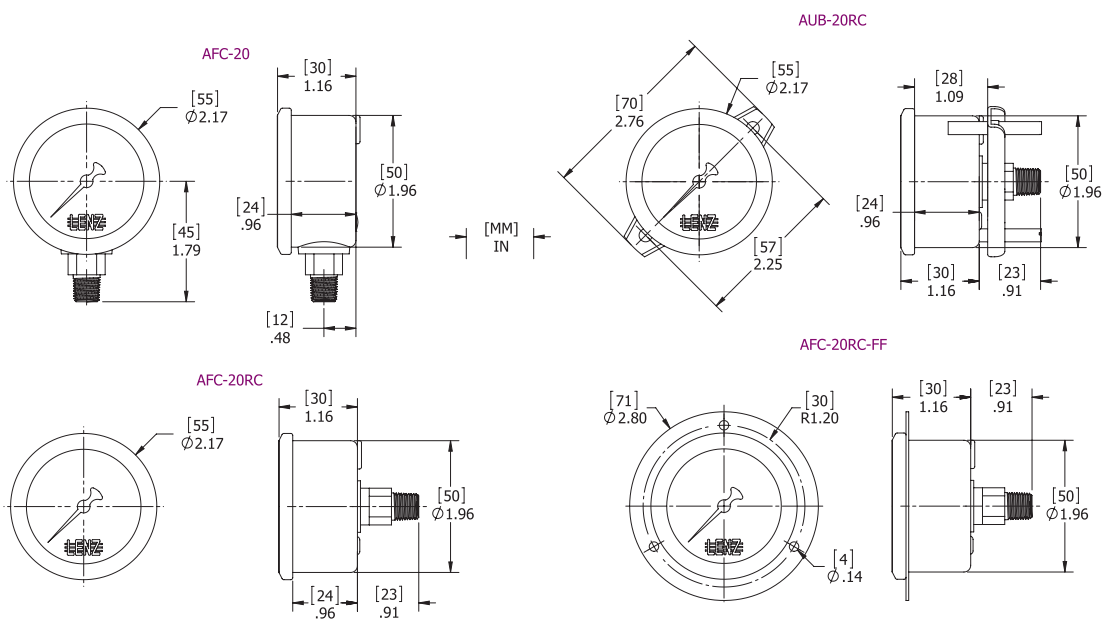


AFC-20

AFC-20 Series Stainless Steel Pressure Gauges

Lenz introduces a new 2" dial glycerin filled pressure gauge with features that include stainless steel case and brass stem which is suitable for hydraulic equipment including pumps & compressors where high vibration exist. The glycerin fill acts as a lubricant, prevents corrosion of the movement, dampens pulsation and vibration to eliminate pointer flutter or oscillation.

BOTTOM MOUNT MODEL NUMBER	REAR CENTER MOUNT MODEL NUMBER	PANEL MOUNT U-CLAMP MODEL NUMBER	FULL RANGE INTERVAL		FIGURE INTERVAL		GRADUATION INTERVAL	
			METRIC P.S.I.	BAR	P.S.I.	BAR	P.S.I.	BAR
AFC-30HG-20	AFC-30HG-20RC	AUB-30HG-20RC	0-30"HG	0-1	5"HG	.2	1"HG	.02
AFC-15-20	AFC-15-20RC	AUB-15-20RC	0-15	0-1	3	.2	.25	.02
AFC-30-20	AFC-30-20RC	AUB-30-20RC	0-30	0-2	5	.5	.05	.05
AFC-60-20	AFC-60-20RC	AUB-60-20RC	0-60	0-4	10	1	1	.1
AFC-100-20	AFC-100-20RC	AUB-100-20RC	0-100	0-7	20	2	2	.2
AFC-160-20	AFC-160-20RC	AUB-160-20RC	0-160	0-10	20	2	2	.2
AFC-200-20	AFC-200-20RC	AUB-200-20RC	0-200	0-14	40	4	4.2	.2
AFC-300-20	AFC-300-20RC	AUB-300-20RC	0-300	0-20	50	5	5	.5
AFC-600-20	AFC-600-20RC	AUB-600-20RC	0-600	0-40	100	10	10	1
AFC-1M-20	AFC-1M-20RC	AUB-1M-20RC	0-1000	0-70	200	20	20	2
AFC-2M-20	AFC-2M-20RC	AUB-2M-20RC	0-2000	0-140	400	40	25	2
AFC-3M-20	AFC-3M-20RC	AUB-3M-20RC	0-3000	0-210	500	50	50	5
AFC-5M-20	AFC-5M-20RC	AUB-5M-20RC	0-5000	0-350	1000	100	100	5





LZ-15 & LZ-20 ABS Case

Dial Size: 1 1/2" / 2" Dry Case

Pressure Ranges: 30" HG to 200 P.S.I. (Single Scale)

Accuracy: Within 2% of Maximum Graduation

Case: ABS (Acrylnitril Butadein Styrol)

Bourdon Tube: Phosphor Bronze

Movement: Brass with Highly Polished Bearing Surfaces

Connection: 1/8" Brass Bottom or Rear Center Mount

(Optional Threads See Page 19c)

LZ-20-RC MOUNTING OPTIONS, ADD SUFFIX:

"FFC" for Chrome Front Flange available only on 2"

Example: LZ-160-20RC-FF



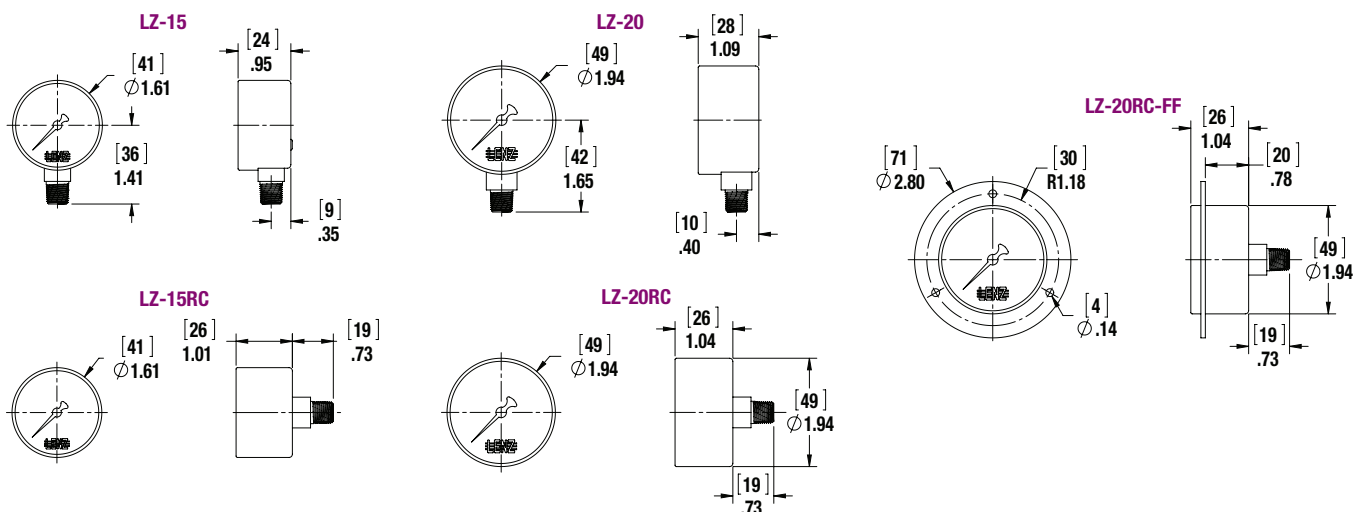
LZ-15 & LZ-20

LZ-15 & LZ-20 Series ABS Case Pressure Gauges

LENZ 1 1/2" & 2" ABS Case Pressure Gauges are perfect for hydraulic and pneumatic equipment. These cost effective pressure gauges are designed where space constraints are a problem.

STD. BOTTOM MOUNT MODEL NUMBER	REAR CENTER MOUNT MODEL NUMBER	FULL RANGE ENGLISH		FIGURE METRIC INTERVAL		GRADUATION INTERVAL	
		P.S.I.	BAR	P.S.I.	BAR	P.S.I.	BAR
LZ-30HG-15	LZ-30HG-15RC	0-30"HG	0-1	5"HG	.2	1"HG	.02
LZ-15-15	LZ-15-15RC	0-15	0-1	3	.2	.25	.02
LZ-30-15	LZ-30-15RC	0-30	0-2	5	.5	.5	.05
LZ-60-15	LZ-60-15RC	0-60	0-4	10	1	1	.1
LZ-100-15	LZ-100-15RC	0-100	0-7	20	2	2	.1
LZ-160-15	LZ-160-15RC	0-160	0-10	20	2	2	.2
LZ-200-15	LZ-200-15RC	0-200	0-14	40	4	4	.4

STD. BOTTOM MOUNT MODEL NUMBER	REAR CENTER MOUNT MODEL NUMBER	FULL RANGE ENGLISH		FIGURE METRIC INTERVAL		GRADUATION INTERVAL	
		P.S.I.	BAR	P.S.I.	BAR	P.S.I.	BAR
LZ-30HG-20	LZ-30HG-20RC	0-30"HG	0-1	5"HG	.2	1"HG	.02
LZ-15-20	LZ-15-20RC	0-15	0-1	3	.2	.25	.02
LZ-30-20	LZ-30-20RC	0-30	0-2	5	.5	.5	.05
LZ-60-20	LZ-60-20RC	0-60	0-4	10	1	1	.1
LZ-100-20	LZ-100-20RC	0-100	0-7	20	2	2	.1
LZ-160-20	LZ-160-20RC	0-160	0-10	20	2	2	.2
LZ-200-20	LZ-200-20RC	0-200	0-14	40	4	4	.4





LZ-25 Steel Case

Dial Size: 2 1/2" Dry Case
 Pressure Ranges: 30" HG to 6,000 P.S.I./Bar (Dual Scale)
 Accuracy: Within 2.0% of Maximum Graduation
 Case: Black Steel
 Bourdon Tube: Phosphor Bronze
 Movement: Brass
 Connection: 1/4" Male NPT Brass Bottom or Rear
 Center Connection

(Optional Threads See Page 19c)

Restrictors Standard:

LZ-25/ LZ-25-RC MOUNTING OPTIONS, ADD SUFFIX:

“FF” for Chrome Front Flange - Example: LZ-160-25RC-FF

“UC” for Panel Mount option - Example: LU-160-25RC

Glass Lens Available.

“MID” Maximum Indicating Dial available for LZ Series see page 21c.



LZ-25



FRONT

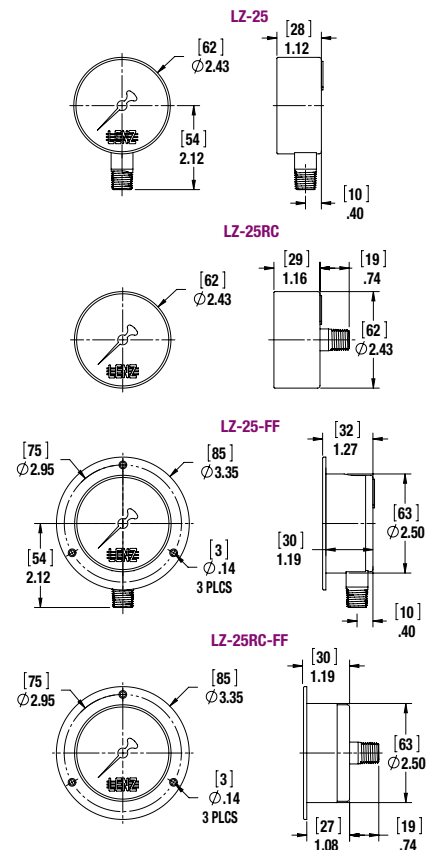
BACK

LU-25RC

LZ-25 Series Steel Case Pressure Gauges

LENZ 2 1/2" Steel Case Pressure Gauges are perfect for hydraulic and pneumatic equipment. These cost effective pressure gauges are designed where space constraints are a problem.

STD. BOTTOM MOUNT MODEL NUMBER	REAR CENTER MOUNT MODEL NUMBER	PANEL MOUNT U-CLAMP REAR CENTER MOUNT MODEL NUMBER	FULL RANGE		FIGURE INTERVAL		GRADUATION INTERVAL	
			ENGLISH P.S.I.	METRIC BAR	P.S.I.	BAR	P.S.I.	BAR
LZ-15-25	LZ-15-25RC	LU-15-25RC	0-15	0-1	3	.2	.25	.02
LZ-30-25	LZ-30-25RC	LU-30-25RC	0-30	0-2	5	.5	.5	.05
LZ-60-25	LZ-60-25RC	LU-60-25RC	0-60	0-4	10	1	1	.1
LZ-100-25	LZ-100-25RC	LU-100-25RC	0-100	0-7	20	2	2	.1
LZ-160-25	LZ-160-25RC	LU-160-25RC	0-160	0-10	20	2	2	.2
LZ-200-25	LZ-200-25RC	LU-200-25RC	0-200	0-14	40	4	4	.4
LZ-300-25	LZ-300-25RC	LU-300-25R	0-300	0-20	50	5	5	.5
LZ-400-25	LZ-400-25RC	LU-400-25RC	0-400	0-28	50	5	5	.5
LZ-600-25	LZ-600-25RC	LU-600-25RC	0-600	0-42	100	10	10	1
LZ-1M-25	LZ-1M-25RC	LU-1M-25RC	0-1000	0-70	100	20	20	1
LZ-1500-25	LZ-1500-25RC	LU-1500-25RC	0-1500	0-100	300	20	50	5
LZ-2M-25	LZ-2M-25RC	LU-2M-25RC	0-2000	0-140	400	40	40	4
LZ-3M-25	LZ-3M-25RC	LU-3M-25RC	0-3000	0-210	600	50	50	5
LZ-5M-25	LZ-5M-25RC	LU-5M-25RC	0-5000	0-350	1000	100	100	10
LZ-6M-25	LZ-6M-25RC	LU-6M-25RC	0-6000	0-420	1000	100	100	10



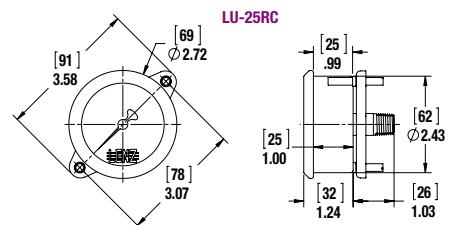
Vacuum Gauges

STD. BOTTOM MOUNT MODEL NUMBER	REAR CENTER MOUNT MODEL NUMBER	FULL RANGE		FIGURE INTERVAL		GRADUATION INTERVAL	
		ENGLISH HG	METRIC BAR	HG	BAR	HG	BAR
LZ-30HG-25	LZ-30HG-25RC	0-30"	0-1	5	.2	1	.02

Compound Gauges

Use where pressures may vary from above atmospheric to below atmospheric.

STD. BOTTOM MOUNT MODEL NUMBER	REAR CENTER MOUNT MODEL NUMBER	FULL RANGE		FIGURE INTERVAL	
		ENGLISH HG	METRIC BAR	HG	BAR
LZ-30-15-25	LZ-30-15-25RC	30"-0-15	-1-0-1	10" & 5	.2 & .2
LZ-30-30-25	LZ-30-30-25RC	30"-0-30	-1-0-2	10" & 10	1 & 1
LZ-30-60-25	LZ-30-60-25RC	30"-0-60	-1-0-4	10" & 10	1 & 1
LZ-30-100-25	LZ-30-100-25RC	30"-0-100	-1-0-7	30" & 20	1 & 1
LZ-30-160-25	LZ-30-160-25RC	30"-0-160	-1-0-10	30" & 20	1 & 2
LZ-30-200-25	LZ-30-200-25RC	30"-0-200	-1-0-14	30" & 40	1 & 2





BAC-4 Brass Case

Dial Size: 4" Glycerin Filled

Pressure Ranges: 30" HG to 15,000 P.S.I./Bar (Dual Scale)

Accuracy: Within 1.5% of Maximum Graduation

Case: Forged Brass Chrome Plated

Bourdon Tube: Copper Alloy - Up to 1500 P.S.I. Safety Coiled
Alloy Steel for 1500 P.S.I. and Higher

Movement: Brass With Highly Finished Bearing Surfaces

Connection: 1/2" Male NPT Brass Bottom or rear lower connection
(Optional 1/4" Available)

(Optional Threads See Page 19c)

Safety Blow-Out Plug Included.

Restrictors Standard to Restrict Pulsations.

BAC-4/ BAC-4-RL MOUNTING OPTIONS, ADD SUFFIX:

"FF" for Chrome Front Flange - Example: BAC-5M-4RL-FF

"UC" for U-Clamp - Example: BAC-3M-4RL-UC

"RF" for Chrome Rear Flange - Example: BAC-1500-4RF

"MID" Maximum Indicating Dial available for BAC Series see page 21c.



BAC-4



FRONT



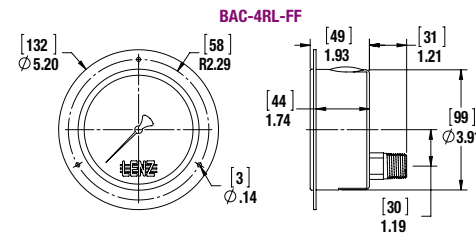
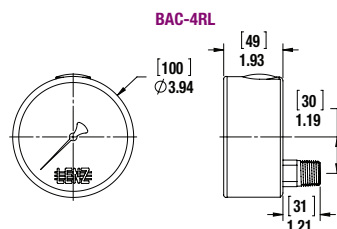
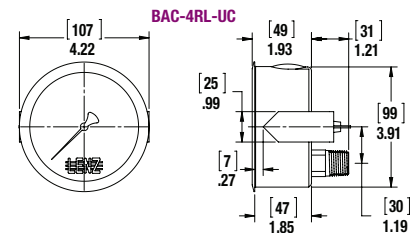
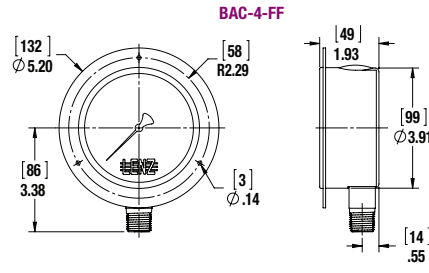
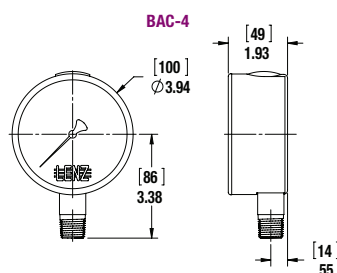
BACK

BAC-4RL-FF

BAC-4 Series Brass Case Pressure Gauges

LENZ all brass cases are designed for the most rugged applications due to the bourdon tube being brazed to the one-piece brass case/socket and are known for their reliability in the field where vibration and pulsation can occur.

STD. BOTTOM MOUNT MODEL NUMBER	REAR LOWER MOUNT MODEL NUMBER	FULL RANGE		FIGURE INTERVAL		GRADUATION INTERVAL	
		ENGLISH P.S.I.	METRIC BAR	P.S.I.	BAR	P.S.I.	BAR
BAC-30HG-4	BAC-30HG-4RL	0-30"HG	0-1	5"HG	.1	5"HG	.01
BAC-15-4	BAC-15-4RL	0-15	0-1	3	.1	.2	.01
BAC-30-4	BAC-30-4RL	0-30	0-2	5	.2	.5	.02
BAC-60-4	BAC-60-4RL	0-60	0-4	10	.5	1	.05
BAC-100-4	BAC-100-4RL	0-100	0-7	10	1	1	.1
BAC-160-4	BAC-160-4RL	0-160	0-10	20	1	2	.1
BAC-200-4	BAC-200-4RL	0-200	0-14	20	2	2	.2
BAC-300-4	BAC-300-4RL	0-300	0-20	50	2	5	.2
BAC-400-4	BAC-400-4RL	0-400	0-28	50	5	5	.2
BAC-600-4	BAC-600-4RL	0-600	0-42	100	5	10	.5
BAC-800-4	BAC-800-4RL	0-800	0-56	100	5	10	.5
BAC-1M-4	BAC-1M-4RL	0-1000	0-70	100	10	10	1
BAC-1500-4	BAC-1500-4RL	0-1500	0-100	300	10	20	1
BAC-2M-4	BAC-2M-4RL	0-2000	0-140	200	20	20	2
BAC-3M-4	BAC-3M-4RL	0-3000	0-210	500	20	50	2
BAC-5M-4	BAC-5M-4RL	0-5000	0-350	500	50	50	5
BAC-10M-4	BAC-10M-4RL	0-10000	0-700	1000	100	100	10
BAC-15M-4	BAC-15M-4RL	0-15000	0-1000	3000	100	200	10





AFC-4 Stainless Steel Case

- Dial Size: 4" Glycerin Filled
- Pressure Ranges: 30" HG to 15,000 P.S.I./Bar (Dual Scale)
- Accuracy: Within 2.0% of Maximum Graduation
- Case: Polished Stainless Steel Ring
- Bourdon Tube: Copper Alloy - Up to 1500 P.S.I.
- Safety Coiled Alloy Steel for 1500 P.S.I. and Higher
- Movement: Brass With Highly Finished Bearing Surfaces
- Connection: 1/4" Male NPT Brass Bottom or Rear Lower Connection
- (Optional Threads See Page 19c)
- Safety Blow-Out Plug Included
- Restrictors Standard to Restrict Pulsations.

- AFC-4-RL MOUNTING OPTIONS, ADD SUFFIX:**
- "FF" for Polished Stainless Steel Front Flange - Example: AFC-5M-4RL-FF
 - "UC" for U-Clamp - Example: AFC-3M-4RL-UC
 - "RF" for Polished Stainless Steel Rear Flange
 - "MID" Maximum Indicating Dial available for BAC Series see page 21c.

AFC Series 4" Pressure Gauges
 LENZ gauges have a 4" stainless steel case, are glycerin filled, with brass connection and are best suited for pumps, compressors, and hydraulic equipment where high vibration exists. The stainless steel case offers protection from corrosive environments as are found, for example, at chemical plants and petrochemical plants. The glycerin fill acts as a permanent lubricant, prevents corrosion of the movement, dampens pulsation and vibration to eliminate pointer flutter or oscillation.



AFC-4



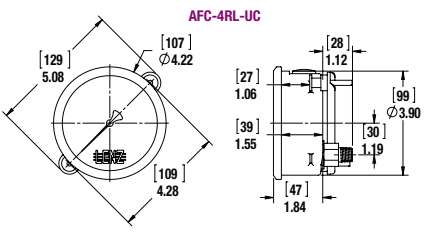
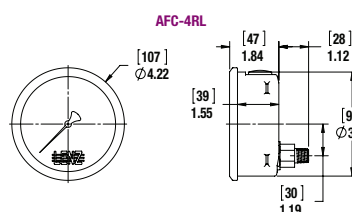
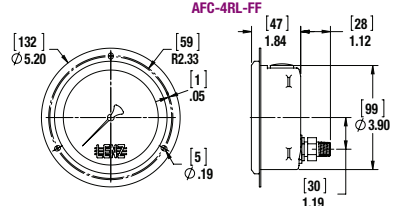
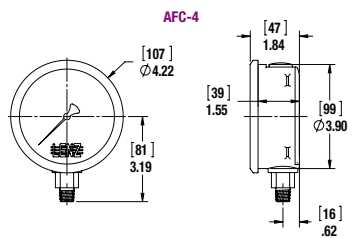
FRONT



BACK

AFC-4RL-FF

STD. BOTTOM MOUNT MODEL NUMBER	REAR LOWER MOUNT MODEL NUMBER	FULL RANGE		FIGURE INTERVAL		GRADUATION INTERVAL	
		ENGLISH P.S.I.	METRIC BAR	P.S.I.	BAR	P.S.I.	BAR
AFC-30HG-4	AFC-30HG-4RL	0-30" HG	0-1	5"HG	.1	.5"HG	.01
AFC-15-4	AFC-15-4RL	0-15	0-1	3	.1	.2	.01
AFC-30-4	AFC-30-4RL	0-30	0-2	5	.2	.5	.02
AFC-60-4	AFC-60-4RL	0-60	0-4	10	.5	1	.05
AFC-100-4	AFC-100-4RL	0-100	0-7	10	1	1	.1
AFC-160-4	AFC-160-4RL	0-160	0-10	20	1	2	.1
AFC-200-4	AFC-200-4RL	0-200	0-14	20	2	2	.2
AFC-300-4	AFC-300-4RL	0-300	0-20	50	2	5	.2
AFC-400-4	—	0-400	0-28	50	5	5	.2
AFC-600-4	AFC-600-4RL	0-600	0-42	100	5	10	.5
AFC-800-4	AFC-800-4RL	0-800	0-56	100	5	10	.5
AFC-1M-4	AFC-1M-4RL	0-1000	0-70	100	10	10	1
AFC-1500-4	—	0-1500	0-100	300	10	20	1
AFC-2M-4	AFC-2M-4RL	0-2000	0-140	200	20	20	2
AFC-3M-4	AFC-3M-4RL	0-3000	0-210	500	20	50	2
AFC-5M-4	AFC-5M-4RL	0-5000	0-350	500	50	50	5
AFC-6M-4	AFC-6M-4RL	0-6000	0-350	1000	50	100	5
AFC-10M-4	—	0-10000	0-700	1000	100	100	10
AFC-15M-4	—	0-15000	0-1000	3000	100	200	10





SS-4 Stainless Steel Case-Stainless Movement

Dial Size: 4" Glycerin Filled
 Pressure Ranges: 30" HG to 15,000 P.S.I./Bar (Dual Scale)
 Accuracy: Within 1.0% of Maximum Graduation
 Case: 304SS Stainless Steel
 Bourdon Tube: 316 Stainless Steel
 Movement: 316 Stainless Steel with Highly Polished Bearing Surfaces
 Connection: 1/2" Male NPT, 316 Stainless Steel
 Safety Blow-Out Plug Included.
 Restrictors Standard.

SS-4-RL MOUNTING OPTIONS, ADD SUFFIX:

"FF" for Polished Stainless Steel Front Flange - Example: SS-10M-4RL-FF

"UC" for Stainless Steel U-Clamp - Example: SS-3M-4RL-UC

"RF" for Stainless Steel Rear Flange - Example: SS-1M-4RF

"MID" Maximum Indication Dial available for SS Series see page 21c.



SS-4



FRONT

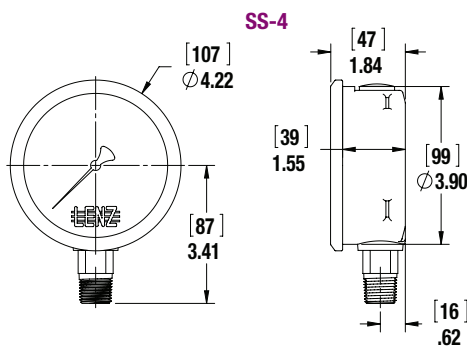


BACK

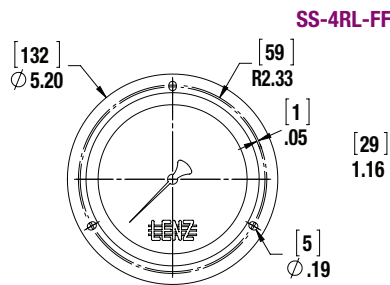
SS-4RL-FF

SS-4 Series All Stainless Steel Pressure Gauges feature a stainless steel case, 316 stainless steel bourdon tube and stem, glycerin filled for severe punishment and years of service in the field. LENZ SS-4 series are highly accurate within 1% of full scale.

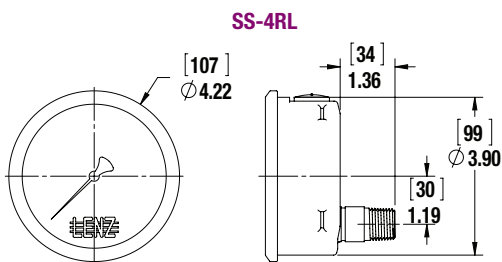
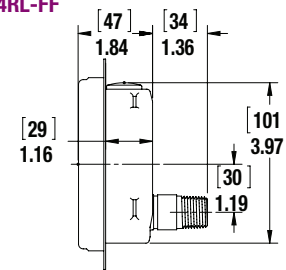
STD. BOTTOM MOUNT MODEL NUMBER	REAR LOWER MOUNT MODEL NUMBER	FULL RANGE		FIGURE INTERVAL		GRADUATION INTERVAL	
		ENGLISH P.S.I.	METRIC BAR	P.S.I.	BAR	P.S.I.	BAR
SS-30HG-4	SS-30HG-4RL	0-30" HG	0-1	5" HG	.1	.5 "HG	.01
SS-30-4	SS-30-4RL	0-30	0-2	5	.2	.5	.02
SS-60-4	SS-60-4RL	0-60	0-4	10	.5	1	.05
SS-100-4	SS-100-4RL	0-100	0-7	10	1	1	.1
SS-160-4	SS-160-4RL	0-160	0-10	20	1	2	.1
SS-300-4	SS-300-4RL	0-300	0-20	50	2	5	.2
SS-600-4	SS-600-4RL	0-600	0-42	100	5	10	.5
SS-1M-4	SS-1M-4RL	0-1000	0-70	100	10	10	1
SS-2M-4	SS-2M-4RL	0-2000	0-140	200	20	20	2
SS-3M-4	SS-3M-4RL	0-3000	0-210	500	20	50	2
SS-5M-4	SS-5M-4RL	0-5000	0-350	500	50	50	5
SS-6M-4	SS-6M-4RL	0-6000	0-420	1000	50	100	5
SS-10M-4	SS-10M-4RL	0-10000	0-700	1000	100	100	10
SS-15M-4	SS-15M-4RL	0-15000	0-1050	3000	100	200	10



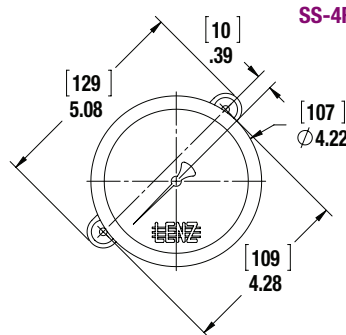
SS-4



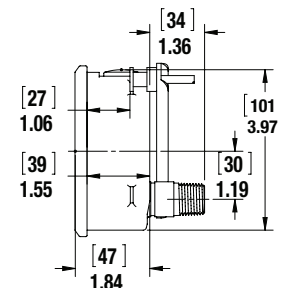
SS-4RL-FF



SS-4RL



SS-4RL-UC





PRO-45 Process ABS Case-Stainless Movement

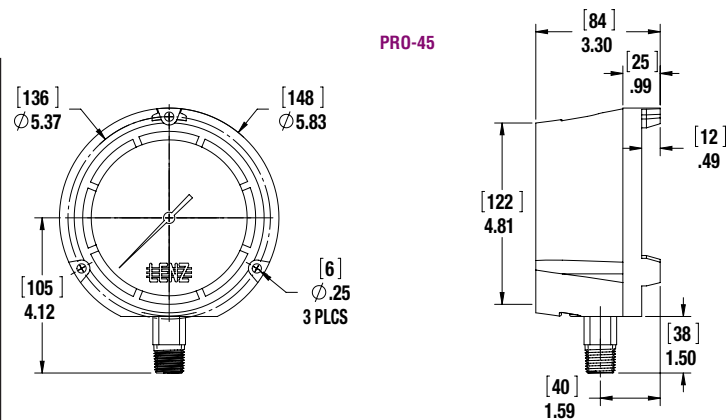
Dial Size: 4 1/2" Glycerin Filled
Pressure Ranges: 30" HG to 30,000 P.S.I. (Single Scale)
Accuracy: Within +/- 0.5% of Maximum Graduation
Case: Fiberglass reinforced thermoplastic, black
Bourdon Tube: Type 316 Stainless Steel
Movement: Type 316 Stainless Steel
Connection: 1/2" Male NPT, Type 316 Stainless Steel
Safety Blow-Out Back Case
Restrictors Standard



PRO-45

PRO-45 Series Process Gauges have been designed and manufactured to the highest standards for the chemical & petroleum industries to withstand vibration, corrosive media and environments, and a wide range of temperatures.

STD. BOTTOM MOUNT MODEL NUMBER	FULL RANGE ENGLISH P.S.I.	FIGURE INTERVAL P.S.I.	GRADUATION INTERVAL P.S.I.
PRO-30HG-45	0-30" HG	5" HG	1" HG
PRO-30-45	0-30	5	.5
PRO-60-45	0-60	10	1
PRO-100-45	0-100	10	1
PRO-160-45	0-160	20	2
PRO-300-45	0-300	50	5
PRO-600-45	0-600	100	10
PRO-1M-45	0-1000	100	10
PRO-2M-45	0-2000	200	20
PRO-3M-45	0-3000	500	20
PRO-5M-45	0-5000	1000	50
PRO-6M-45	0-6000	1000	50
PRO-10M-45	0-10000	1000	50
PRO-15M-45	0-15000	2000	100
PRO-20M-45	0-20000	2000	100
PRO-30M-45	0-30000	2000	100



AMM-25 Refrigeration Ammonia Pressure Gauges

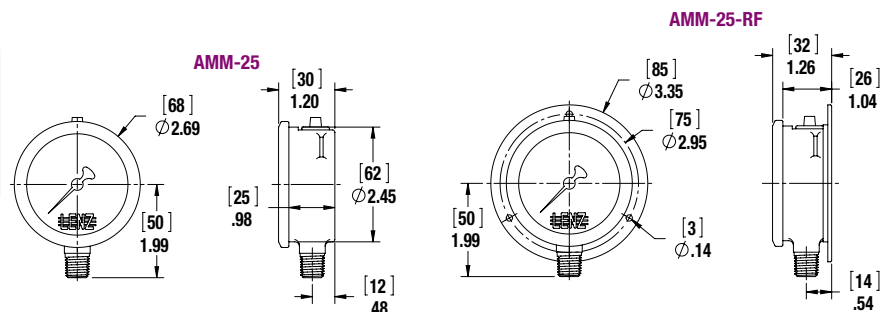
Dial Size: 2 1/2" (Dry Case)
Ranges: 30" to 300 P.S.I./F (Dual Scale)
Accuracy: Within 1.5% of Maximum Graduation
Case: Stainless Steel
Movement: 316 Stainless Steel
Connection: 1/4" 316 Stainless Steel

LENZ Refrigeration Ammonia Gauges are suitable for refrigeration Ammonia and other liquid or gaseous media which are compatible with 316 stainless steel & will not contaminate the pressure system.



AMM-25

STANDARD BOTTOM MOUNT MODEL NUMBER	P.S.I./F
AMM-30-150-25	30"-150 P.S.I./84 F
AMM-30-300-25	30"-300 P.S.I./126 F





LOW-25 Black Steel Case-Capsule Movement

Inches/Water Column

Dial Size: 2 1/2" Dry Case

Pressure Ranges: 15"H2O to 240"H2O/3 to 10 P.S.I.

Accuracy: Within 1.5% of Maximum Graduation

Case: Black Steel

Movement: Copper Alloy Capsule designed to measure low pressure

Connection: 1/4" Brass Bottom Mount or Rear Connection

Recalibration: Adjustment Screw on dial to re-zero pointer if necessary

LOW-25 MOUNTING OPTIONS, ADD SUFFIX:

"FF" for Chrome Front Flange - Example: LOW-30H2O-25RC-FF

LOW-25

LENZ Low pressure gauges are extremely sensitive and highly accurate.

The copper alloy capsule is designed to measure pressure and vacuum

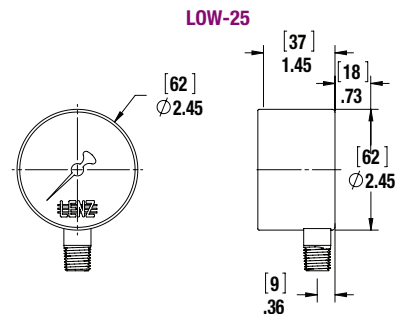
of gaseous media from as low as 15"H2O to 240"H2O/3 to 10 P.S.I.



LOW-25

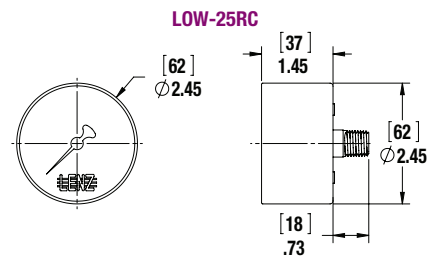
Pressure Ranges (dual scale) (H2O/mm H2O)

STANDARD BOTTOM MOUNT MODEL NUMBER	REAR CENTER MOUNT MODEL NUMBER	Inches/H2O	mm/H2O
LOW-15H2O-25	LOW-15H2O-25RC	0-15	0-380
LOW-30H2O-25	LOW-30H2O-25RC	0-30	0-760
LOW-60H2O-25	LOW-60H2O-25RC	0-60	0-1500
LOW-100H2O-25	LOW-100H2O-25RC	0-100	0-2500
LOW-200H2O-25	LOW-200H2O-25RC	0-200	0-5000



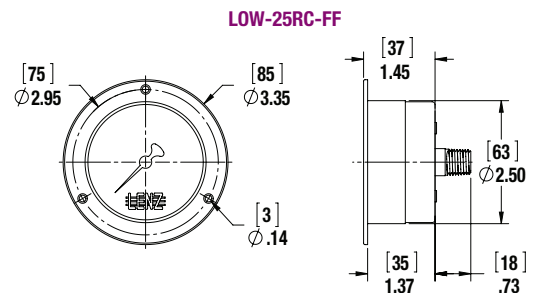
(oz./sq.in./ H2O)

STANDARD BOTTOM MOUNT MODEL NUMBER	REAR CENTER MOUNT MODEL NUMBER	Ounces	Inches/H2O
LOW-20OZ-25	LOW-20OZ-25RC	0-20	0-34
LOW-32OZ-25	LOW-32OZ-25RC	0-32	0-55



(oz./sq.in./ mmH2O)

STANDARD BOTTOM MOUNT MODEL NUMBER	REAR CENTER MOUNT MODEL NUMBER	Ounces	mm/H2O
LOW-20OZ-25	LOW-20OZMM-25RC	0-15	0-880
LOW-30OZ-25	LOW-30OZMM-25RC	0-30	0-1320
LOW-60OZ-25	LOW-60OZMM-25RC	0-60	0-2640



Pressure Ranges (Single Scale)

STANDARD BOTTOM MOUNT MODEL NUMBER	REAR CENTER MOUNT MODEL NUMBER	P.S.I.
LOW-03-25	LOW-03-25RC	0-3
LOW-05-25	LOW-05-25RC	0-5
LOW-10-25	LOW-10-25RC	0-10



Bimetal Thermometer

Model No. BMT

Case & Stem: 304 Stainless Steel

Window: Instrument Glass (Acrylic Optional)

Connections are all 1/2" NPT

External Zero Adjustment

Dial Sizes Available: 3" or 5"

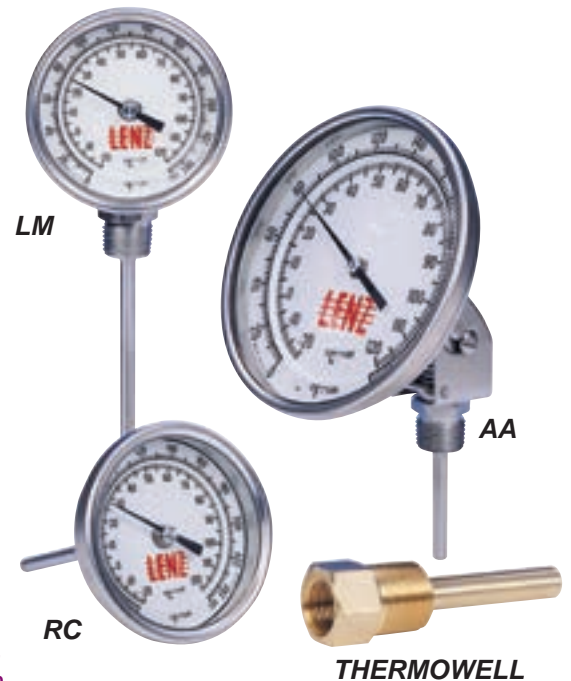
Optional: Temperature Ratings up to 750° Fahrenheit

Optional: Silicone Liquid Filling. Standard Stem Lengths up to 24" and custom lengths up to 72".

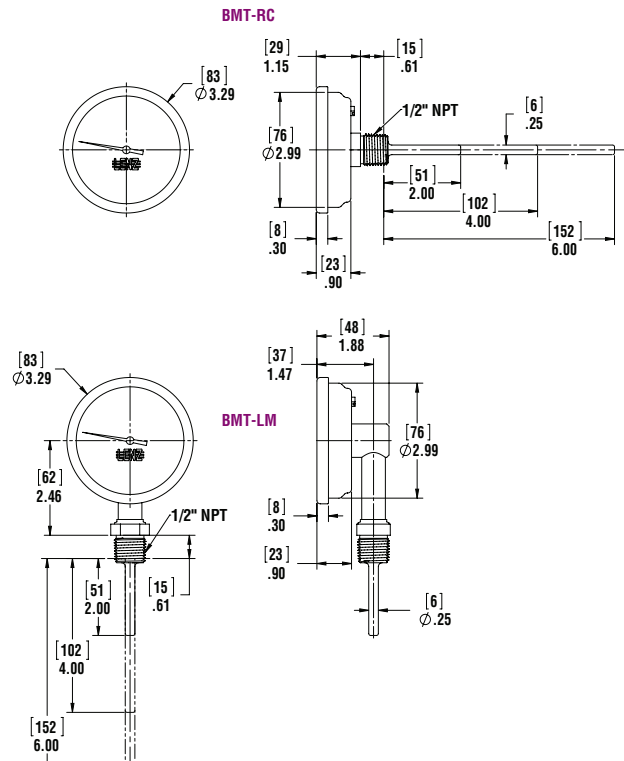
Stem lengths are measured from the underneath side of the hex.

Lenz will build to your specifications!

Lenz's Bimetal Thermometers were developed to fill a need for a thermometer performing accurately under rough and difficult applications. This is accomplished by utilizing the Law of Coefficient of Expansion differential of two unlike materials; hence the name "Bimetal Thermometer." The expansion differential of the two unlike metals, connected with a mechanical linkage which Lenz coats with a viscous silicone to minimize pointer oscillation, shows the temperature on the hermetically sealed dial. The Lenz BMT series thermometer probe extends well into the fluid to provide a more accurate reading of fluid temperatures than surface thermometers and are unaffected by ambient temperature.



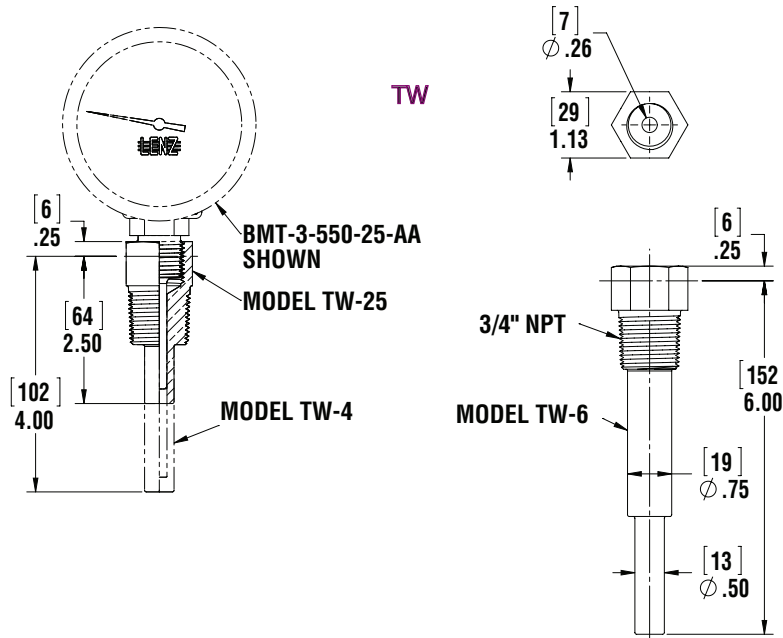
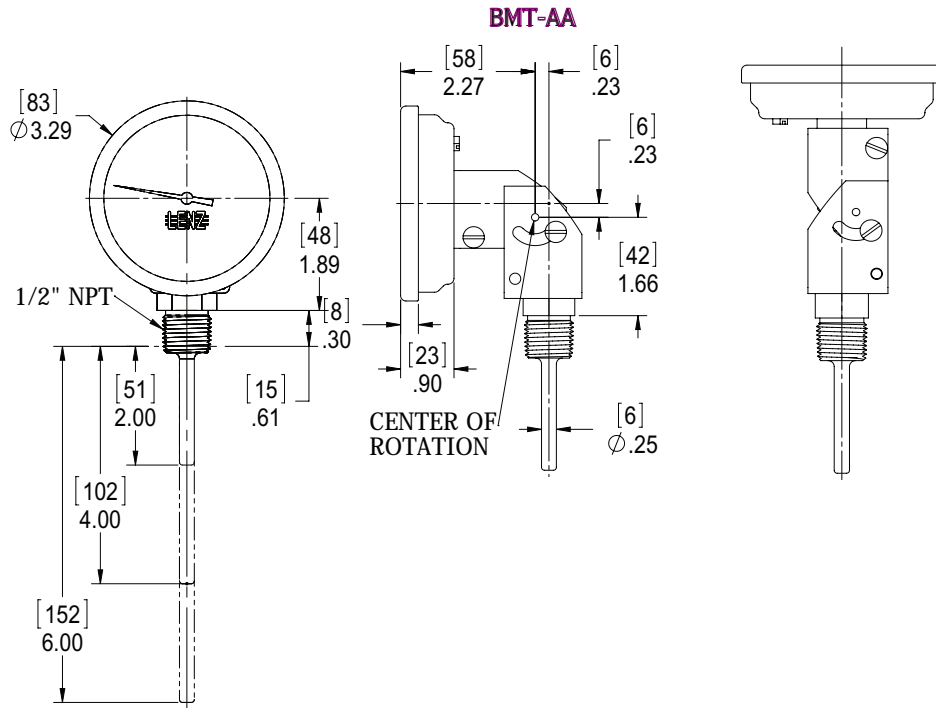
MODEL NUMBER	DIAL SIZE	TEMPERATURE	STEM LENGTH	STEM CONNECTION
BMT-3-250-25-RC BMT-3-250-4-RC BMT-3-250-6-RC	3"	0-250 F° / -20-120 C°	2 1/2" 4" 6"	Rear Connection
BMT-3-550-25-RC BMT-3-550-4-RC BMT-3-550-6-RC	3"	50-550 F° / 10-290 C°	2 1/2" 4" 6"	Rear Connection
BMT-3-250-25-LM BMT-3-250-4-LM BMT-3-250-6-LM	3"	0-250 F° / -20-120 C°	2 1/2" 4" 6"	Lower Mount
BMT-3-550-25-LM BMT-3-550-4-LM BMT-3-550-6-LM	3"	50-550 F° / 10-290 C°	2 1/2" 4" 6"	Lower Mount
BMT-3-250-25-AA BMT-3-250-4-AA BMT-3-250-6-AA	3"	0-250 F° / -20-120 C°	2 1/2" 4" 6"	All Angle
BMT-3-550-25-AA BMT-3-550-4-AA BMT-3-550-6-AA	3"	50-550 F° / 10-290 C°	2 1/2" 4" 6"	All Angle
BMT-5-550-25-AA BMT-5-550-4-AA BMT-5-550-6-AA	5"	50-550 F° / 10-290 C°	2 1/2" 4" 6"	All Angle



Thermowells permit the removal, replacement or testing of the Bimetal Thermometer without affecting the process media or the system.

Model	Description
TW-25	Thermowell: For 2 1/2" Probe Lengths
TW-4	Thermowell: For 4" Probe Lengths
TW-6	Thermowell: For 6" Probe Lengths

See Technical Bulletin TB.PG16.811, for further information.
(Technical Data – www.lenzinc.com)





Transmitters

Model No. LZAT

Specifications

- Protected against reverse polarity, short circuit, and over voltage
- 1/4" NPT, 7/16-20 UNF (S.A.E.) , 1/2" NPT connections
- Stainless steel case (316) and (316L) wetted parts
- 18 standard ranges available (0-10,000 P.S.I.)
- Accuracy .5% (B.F.S.L.) of span (Standard)*
- Non Repeatability < 0.1 % of span
- Hysteresis < 0.16 % of span
- Supply voltage 10-30vdc (14-30 for 0-10vdc output signal)
- Operating temperature 32-180F (0-80 C)
- Response time <4 MS

Options

- 4-20 ma, 0-10v, 0-5V
- Electrical connection DIN 175301-803
- Flying leads

How it works

LENZ LZAT pressure transmitters are now available using a flexible modular assembly systems. All components from the process connection, pressure range, electrical connection and cable length are modular. You can now select the range or connection that meets your needs.

Your selection will generate the Lenz model number. Order this model code and we build your pressure transducer.



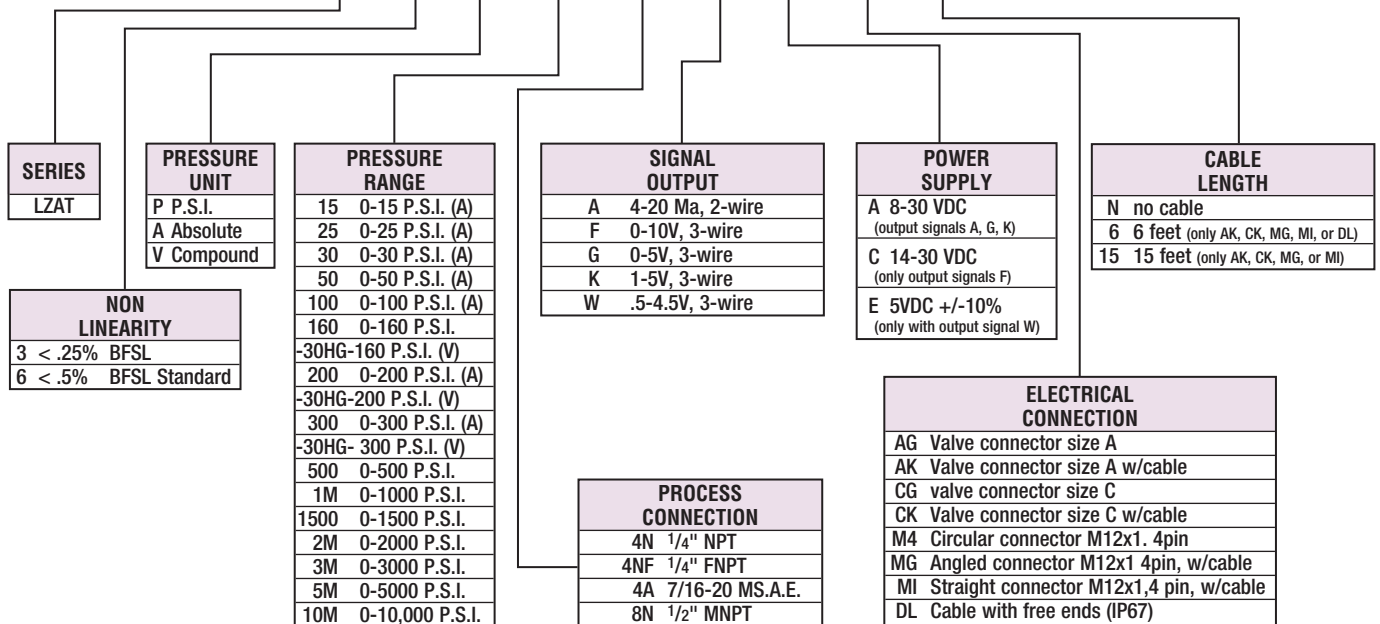
AG, AK with Cable

DL

CG, CK with Cable

Ordering Code

LZAT - 6 - P - 3M - 4N - A - C - AG - 6



- 1) We recommend 18-22 AWG wire.
- 2) LZAT can't be used with chemical seal.

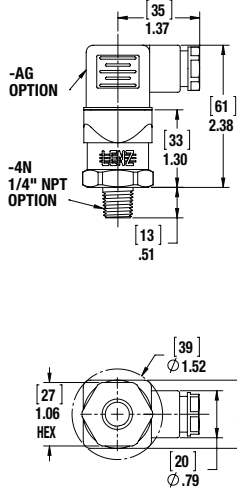
See Technical Bulletin TB.PG11.811, for further information at
(Technical Data – www.lenzinc.com)



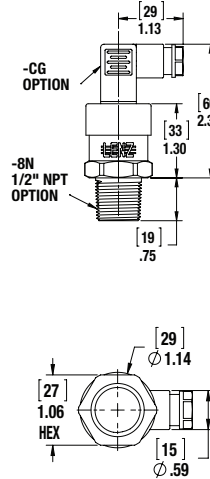
Dimensions in inches (mm)

Ingress protection IP per IEC 60529. The ingress protection classes specified only apply while the pressure transmitter is connected with female connectors that provide the equivalent ingress protection.

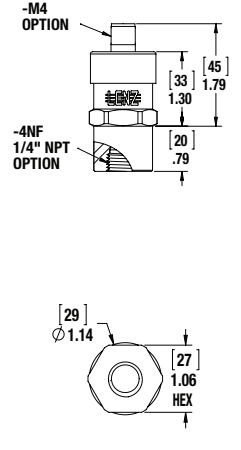
DIN 175301-803 A
L-connector
conductor outer diameter
.24" to .32"
IP 65



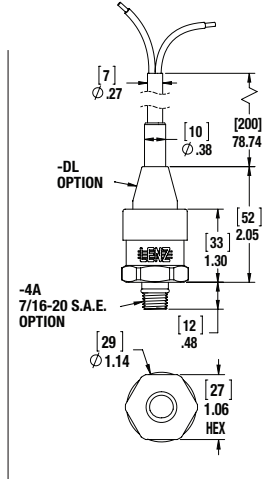
DIN 175301-803 C
L-connector
conductor outer diameter
.18" to .24"
IP 65



M 12x1, 4-pin
IP 67



Flying leads,
conductor cross section
.013 in²,
conductor outer diameter
.26",
PUR cable - unshielded,
IP 67

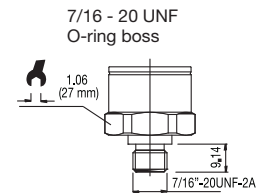
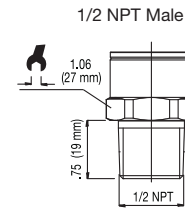
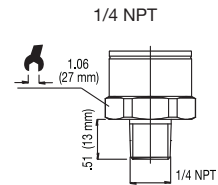


Electrical Connections

	2-wire	3-wire
DIN 175301-803 A L-connector		
DIN 175301-803 C L-connector		
M 12x1, 4-pin without angle socket or female cable connectors		
Flying leads		

Specifications and dimensions given in this datasheet represent the state of engineering at the time of printing. Modifications may take place and materials specified may be replaced by others without prior notice.

Pressure connections



See Technical Bulletin TB.PG19.811, for digital readout D1-15.
For use with LZAT at (Technical Data – www.lenzinc.com)



Digital Gauge

Model No. LDPG-30

Specifications

- Pressure ranges: from 0 ... 30 psi up to 0 ... 10,000 psi
- Display accuracy: < + 0.25% B.F.S.L.
- Pressure connections: 1/4 NPT male, 1/2 NPT male
- Case: Stainless steel, 3.15" (80 mm) diameter
- Power supply: 2x 1.5 V Type AA cell
- CE Approval

Durable, Precise Local Display

A digital display is ideal for precise and fast pressure readings. The LDPG-30 features a durable stainless steel housing and integral battery power supply making it suitable for a wide range of applications and industries.

The multi-function display features a bar graph with a drag pointer function and a MIN/MAX memory. The MIN/MAX memory feature permits later recall of the minimum and maximum pressure readings.

Standard and Enhanced Versions

The LDPG-30 is available in two versions: standard (LDPG-30-S) and enhanced (LDPG-30-E). Both versions allow the user to easily switch between the most widely-accepted international measurement units including bar, psi and MPa.

Additional features of the enhanced version include a backlit display for use in low light conditions and a housing that can be rotated for optimal viewing. Additional user-programmable functions of the LDPG-30-E include auto power-off, tare function, and password protection.

Proven Pressure Measurement Technology

Sensors manufactured by LENZ provide high accuracy, longterm stability and excellent repeatability. For optimal performance, pressure ranges up to 600 PSI (50 bar) use the LENZ ceramic sensor. Pressure ranges of 1450 PSI (100 bar) and higher utilize LENZ thin film sensor technology.



LDPG-30-S
Standard Version



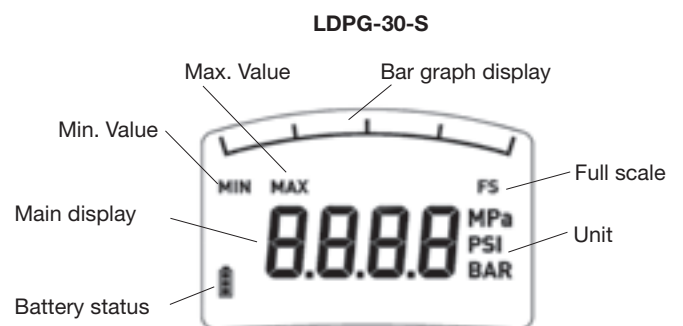
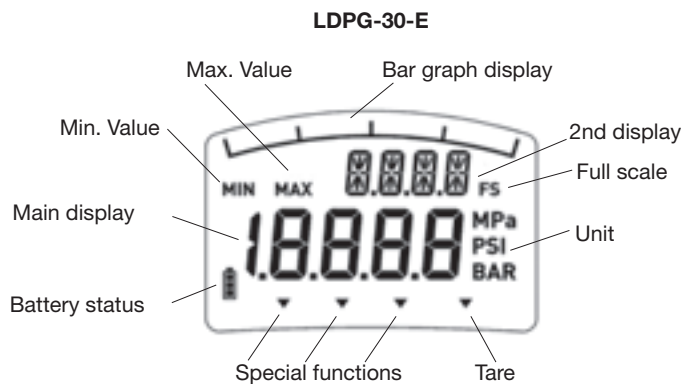
LDPG-30-E
Enhanced Version

Accessories

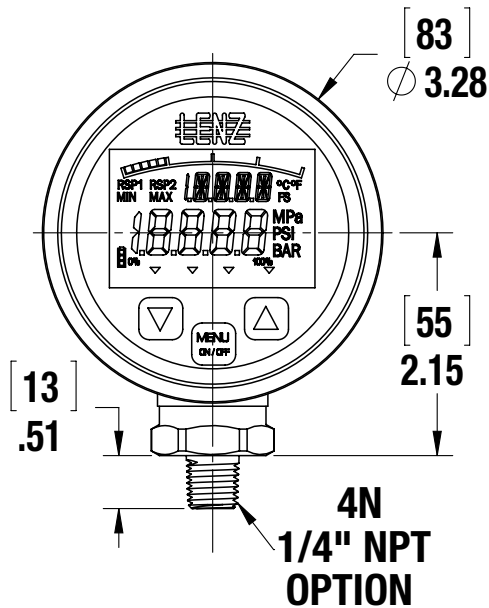
Protective boot
(black, vulcanized rubber)
Standard on LDPG-30-E



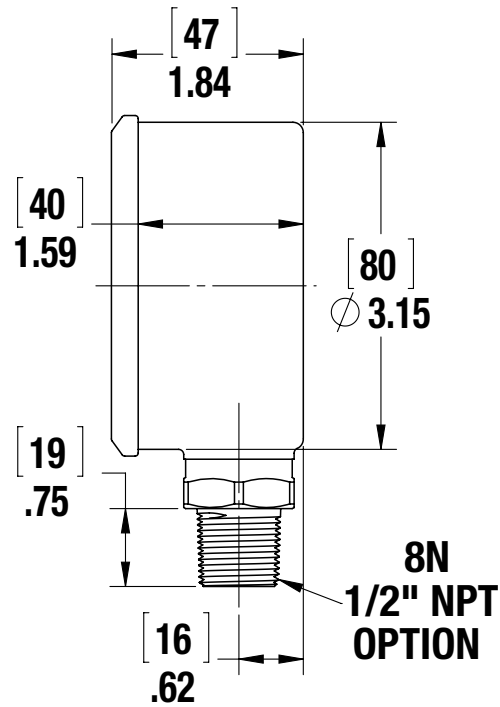
Description of the Display



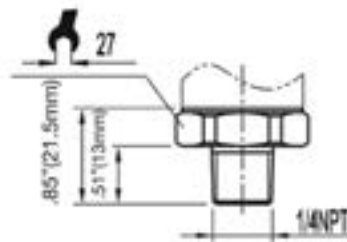
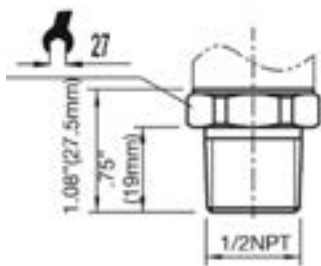
Specifications and dimensions given in this data sheet represent the state of engineering at the time of printing.
Modifications may take place and materials specified may be replaced by others without prior notice.



1/2 NPT male
Order code: 8N



1/4 NPT male
Order code: 4N



Ordering Code

LDPG30-S - C - 30-30 - 4N - PB

MODEL	
LDPG-30-S	STANDARD
LDPG-30-E	ENHANCED

PRESSURE	
G	GAUGE
C	COMPOUND

PRESSURE RANGE	
30-30	-30HG TO 29 PSI
30-72	-30HG TO 72 PSI
30-145	-30HG TO 145 PSI
30	0 TO 30 PSI
60	0 TO 60 PSI
145	0 TO 145 PSI
300	0 TO 300 PSI
600	0 TO 600 PSI
1450	0-1450 PSI
2M	0-2000 PSI
3M	0-3000 PSI
5M	0-5000 PSI
7500	0-7500 PSI
10M	0-10,000 PSI

PROCESS CONNECTION	
4N	1/4" NPT
8N	1/2" NPT

OPTIONS	
PB	PROTECTIVE BOOT

See Technical Bulletin TB.PG10.811, for operating manual at (Technical Data – www.lenzinc.com)



Digital Gauge

Model No. LDPG-30

Specifications		Model LDPG-30					
Pressure ranges	psi	-30 INHG ... 29 psi		-30 INHG ... 72 psi		-30 INHG ... 145 psi	
Over pressure safety	psi	70		145		290	
Burst pressure	psi	85		170		360	
Pressure ranges	psi	30	60	145	300	600	1450
Over pressure safety	psi	70	145	290	580	1450	2900
Burst pressure	psi	85	170	360	725	1740	11600
Pressure ranges	psi	2000	3000	5000	7500	10000	
Over pressure safety	psi	4640	7250	11600	17400	21750	
Burst pressure	psi	14500	17400	24650	34800	43500	
Materials							
Wetted parts							
» Pressure connection		1.4571, Stainless steel 316TI					
» Pressure sensor		Ceramic Al ₂ O ₃ 96%, NBR {EPDM } (up to 0 ... 600 psi)					
		XM-13 (1.4534) (≥ 1450 psi)					
Case		1.4301, Stainless steel 304					
Power supply		2x 1.5 V Type AA batteries					
Operating time	h	4000 (AA 2000 mAh)					
Internal sampling rate	ms	200					
Insulation voltage	VDC	500					
Display accuracy	% of span	± 0.25% B.F.S.L.					
Zero Offset	% of span	0.1 (Power-up reset)					
Zero adjustability	% of span	20 (via Tare-Function with model LDPG-30-E)					
Hysteresis	% of span	0.1					
Non-repeatability	% of span	0.1					
Long-term stability per year	% of span	0.2					
Long-term drift	% of span	0.1					
Permissible temperature of							
Medium		-4°F ... +185°F (-20°C ... +85°C) (up to 0 ... 600 psi)					
		-22°F ... +212°F (-30°C ... +100°C) (≥ 1450 psi)					
Ambient		+14°F ... +140°F (-10°C ... +60°C)					
Storage		-4°F ... +158°F (-20°C ... +70°C)					
Operating temperature range		+32°F ... +140°F (0°C ... +60°C)					
Temperature coefficients within compensated temp range							
Mean TC of zero	% of span	0.15 / 10k					
Mean TC of span	% of span	0.15 / 10k					
CE-conformity							
Pressure equipment directive		97/23/EC					
EMC directive		89/336/EEC emission (class B) and immunity according to EN 61 326					
Case rotation	°	300° (only with model LDPG-30-E)					
		LDPG-30-S			LDPG-30-E		
Principle		7 segment LCD 4 digit			7 segment LCD 4 1/2 digit 14 segment LCD 4 1/2 digit (2nd display)		
Digit size		.43" (11 mm)			.43 (11 mm) and .28" (7 mm)		
Display		-999 ... 9999			-1999 ... 19999		
Background illumination		No			Included		
Bar graph with trailing pointer function		Included			Included		
Min/Max memory		Included			Included		
Auto On/Off		Optional (ex works)			15/30/60/120 min		
Tare adjustment		No			Included		
Units bar, psi, MPa		Included			Included		
Password protection		No			Included		
Reset factory setting		No			Included		
Weight		Approx. 14oz. (400 g)					

{ } Items in curved brackets are optional extras for additional price.



Gauge Isolator Valve

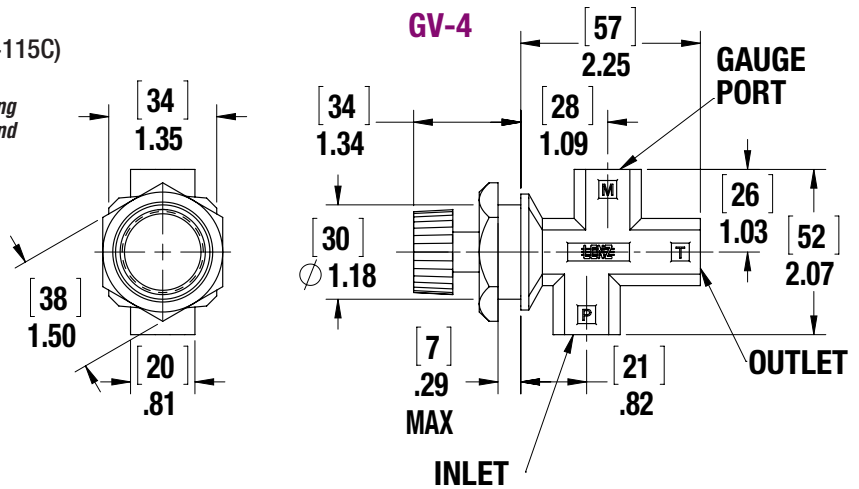
Model No. GV-4 Single Station

Specifications

- Push knob to read
- Can be locked in actuated position
- Panel or in-line mounting
- Made of press forged steel
- 5800 P.S.I. working pressure
- Maximum panel thickness 5/16"
- 1/4" NPT ports
- Viton seals
- Compatible with petroleum based fluids and other fluids compatible with Viton seals
- Operating temperature -30°F to +240°F (-22C to +115C)

Gauge isolators prevent damaging pressure surges from reaching the gauge except when a reading is required. They help to extend gauge life and maintain accuracy.

See Technical Bulletin TB.PG07.708, for further information at (Technical Data – www.lenzinc.com)



Gauge Shutoff Valve

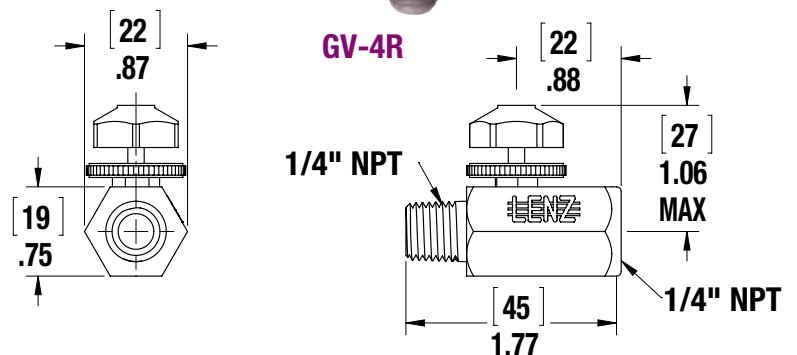
Model # GV-4R

The LENZ Gauge Shutoff Valve is a simple effective throttling and shut-off device to isolate and protect hydraulic pressure gauges. It will quickly and positively shut off the gauge from the line pressure or, when partially opened, reduce or eliminate gauge pointer pulsations. The leakproof needle stem is internally retained.

Features:

- Steel Construction
- 5000 P.S.I. Maximum System Pressure
- Viton Seals-Compatible With Most Fluids
- Finger Tip Adjustment and Locknut

See Technical Bulletin TB.PG13.708, for further information at (Technical Data – www.lenzinc.com)





Maximum Indicating Dial

Lenz's maximum indicating dial follows the regular (black) pointer on increasing pressure and remains at the highest point until it is reset by a knob at the front of the window, Silicone filled. Excellent for diagnosing pressure surges or spikes in system.*

Example: BAC-5M-25-MID

(Installed at Factory) AFC-3M-25-MID

These MID gauges are available in pressure ranges from vacuum up to 15,00 PSI. We also offer this series in a bottom or rear connections execution and with NPT or SAE connections.

See Technical Bulletin TB.PG12.811, for further information at (Technical Data – www.lenzinc.com)



BAC-MID



AFC-MID

Gauge Shutoff Valve

Model # GV-4N

Standard Features:

- **Operating Temperature:** Media: max. 200°F (+93°C); min. 0°F (-18°C)
- **Flow Rate:** Max. $C_v = 0.42$
- **Orifice Size:** 0.172" (4.37mm)

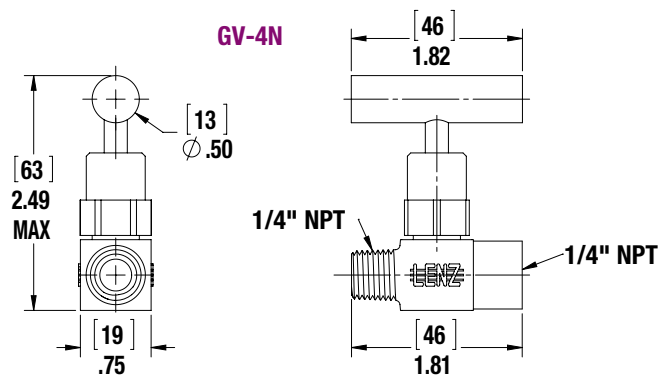
Features:

- **Pressure Rating:** 6000 PSI
- **Valve Body:** Carbon Steel
- **Bonnet:** Carbon Steel, 12L14
- **Valve Stem:** 316 Stainless Steel
- **Handle:** T, Carbon Steel
- **Handle Bolt:** Carbon Steel, 12L14
- **Stem Seals:** Viton® O-Ring, Teflon® Back-up Ring

See Technical Bulletin TB.PG13.811, for further information at (Technical Data – www.lenzinc.com)



GV-4N



TYPE	WEIGHT	KEY	A	B	C	D	E	F	G	H	T
GV-4N	0.4 lbs.	mm in.	18.3 0.72	13.7 0.54	46 1.81	12.7 0.50	63 2.48	22 0.88	19 0.75	12.7 0.50	1/4"



Optional Threads

Lenz Pressure gauges can be ordered with optional thread connections. (50 Piece Minimum)

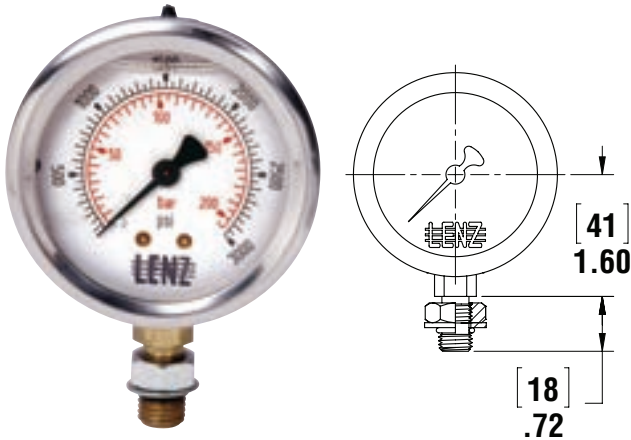
S.A.E. Thread: (7/16"-20 w/ "O"-Ring, washer & locknut)
 Example: S.A.E.-AFC-3M-25

J.I.C. Thread: (7/16"-20 Male 37° Flare)
 Example: JIC-AFC-3M-25RC

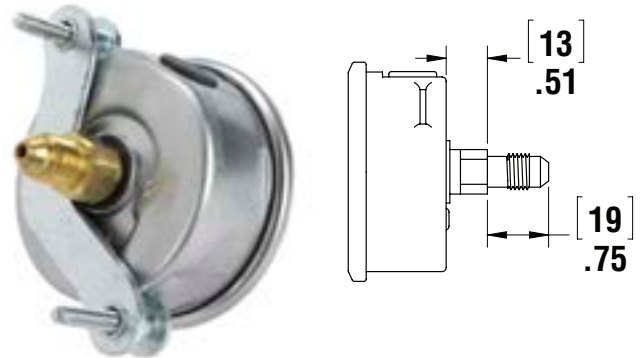
B.S.P. Thread: (1/4" R-19, 1/4" BSP-19, G-1/4")
 Example: BSP-AFC-3M-25

Tube Connection:
 Example: SS-TA-5M-25

SAE Thread



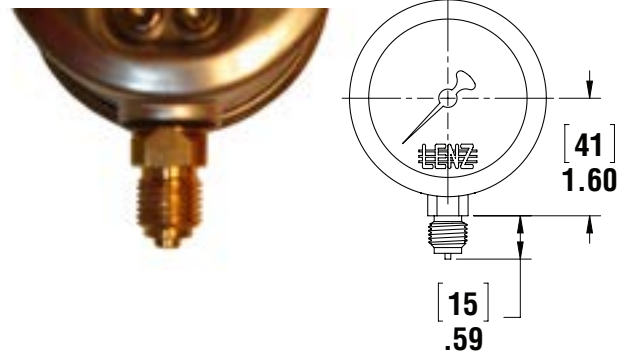
JIC Thread



1/4" Stainless Tube Connection



BSP Thread



Adapters For Pressure Gauges



4-PC, 8-PC
 4-PC-SS
 8-PC-SS



3255-4-4



4-4 APC



4-4 BSP

MODEL NUMBER	DESCRIPTION
4-PC	1/4" NPT FEMALE x 1/4" NPT FEMALE PIPE COUPLER
3255-4-4	1/4" NPT FEMALE x 7/16"-20 MALE JIC 37° FLARE
4-4 APC	1/4" NPT FEMALE x 7/16"-20 S.A.E. MALE WITH O-RING
4-4 BSP	1/4" NPT FEMALE x 1/4"-19 BSP THREADS

See Catalog 127RA for further information



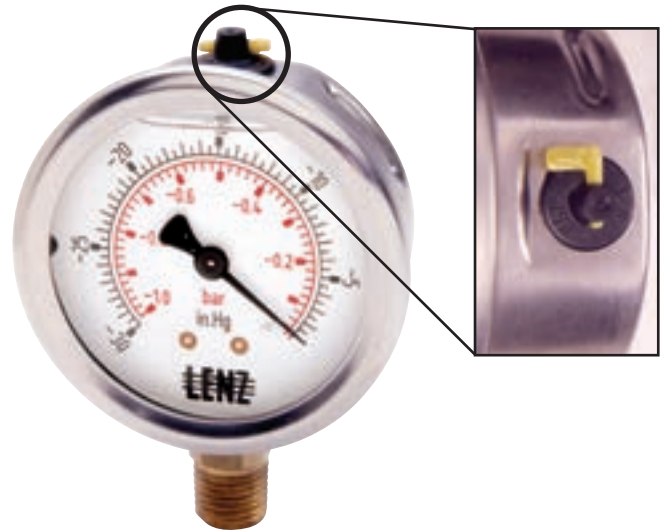
New Vent Plug for Low Pressure Glycerin Gauges

LENZ introduces a new “Open/Close” Vent plug for low pressure applications less than 100 P.S.I.. In order for the pressure gauge to have accurate readings, vent needs to be in open position.

After shipment, pointer may not rest at zero due to internal case pressure buildup caused by temperature variations. Accuracy may be significantly reduced. To restore gauge to operating condition, move lever of vent plug to “Open” position.

If gauge is not mounted upright, move lever to closed position after venting. Repeat procedure at regular intervals to maintain pressure gauge accuracy.

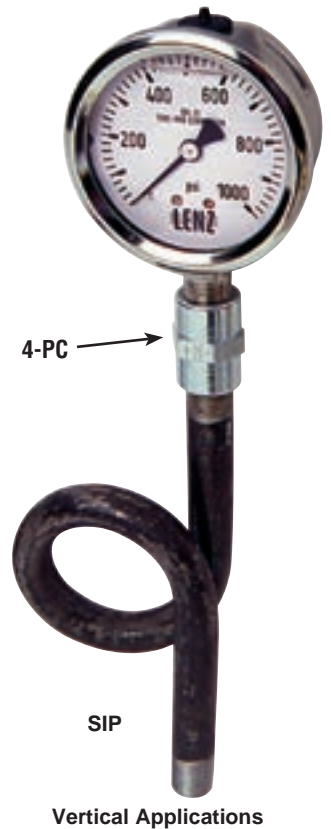
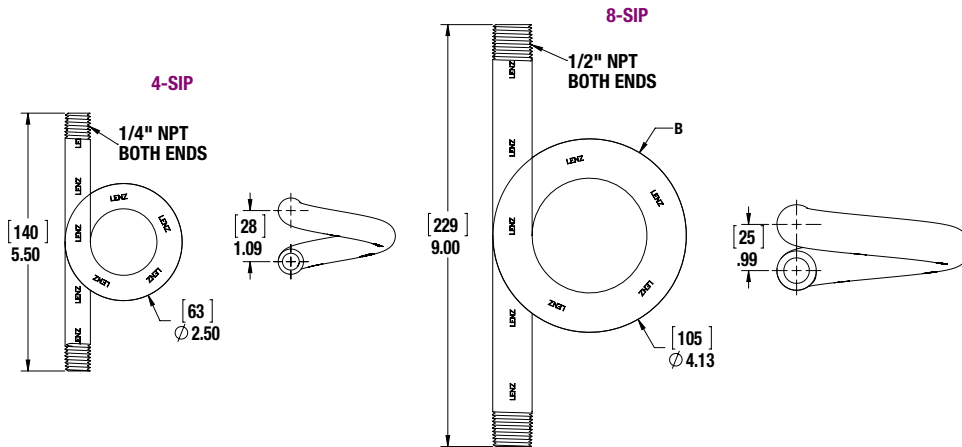
Vent options available on BAC, AFC, SS Series



Siphons

LENZ siphons should be used to protect pressure instruments in live steam service or other hot vapor application up to 400 F. The siphon when first installed should be filled with water or suitable separating fluid. The vapor condenses inside the coil of the siphon which prevents the high temperature vapors from reaching the sensing element of the pressure instrument. If you require higher pressures or temperatures please consult the factory.

See Technical Bulletin TB.PG18.811, for further information at (Technical Data – www.lenzinc.com)



Couplings

(To attach pressure gauges to siphons)

MODEL NUMBER	DESCRIPTION
4-PC	1/4" x 1/4"-MALE (STEEL)
4-PC-SS	1/4" x 1/4"-MALE (STAINLESS)
8-PC	1/2" x 1/2"-MALE (STEEL)
8-PC-SS	1/2" x 1/2"-MALE (STAINLESS)

MODEL NUMBER	DESCRIPTION	PRESSURE
4-SIP	1/4" x 1/4"-MALE (STEEL)	2500
4-SIP-SS	1/4" x 1/4"-MALE (STAINLESS)	2100
8-SIP	1/2" x 1/2"-MALE (STEEL)	1900
8-SIP-SS	1/2" x 1/2"-MALE (STAINLESS)	1600

Add-HP for Schedule 80 for 3000 PSI



Chemical Seals

Chemical seals also referred to as diaphragm seals, are used to isolate pressure gauges from clogging and /or corrosive media.

The upper seal is also filled with silicone fluid. Any pressure applied by the process medium to the seal diaphragm is hydraulically transmitted to the pressure element of the gauge, thus generating a pressure reading on the pressure gauge. Must be ordered with gauges installed at factory.

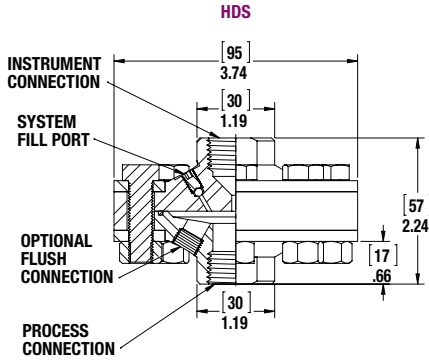
See Technical Bulletins: TB.PG09.1010, TB.PG14.811, TB.PB15.811 and TB.PG20.811 for further information at (Technical Data – www.lenzinc.com).

- Maximum Operating Pressure 2500 PSI
- Maximum Operating Temperature -130 F to +752 F (-90C to +400C)

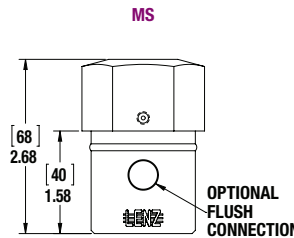


MS-4x4

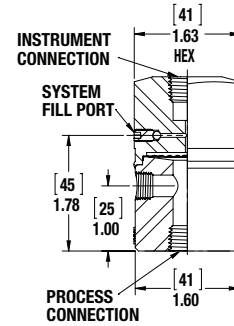
HDS-8x8



HDS



MS



Lenz Heavy Duty Seals

MODEL NUMBER	DESCRIPTION
HDS-4x4	1/4" x 1/4" FEMALE (STEEL)
HDS-4x4-SS	1/4" x 1/4" FEMALE (STAINLESS)
HDS-8x8	1/2" x 1/2" FEMALE (STEEL)
HDS-8x8-SS	1/2" x 1/2" FEMALE (STAINLESS)

Lenz Mini-Seal

MODEL NUMBER	DESCRIPTION
MS-4x4-SS	1/4" x 1/4" FEMALE (STAINLESS)
MS-4x8-SS	1/4" x 1/2" FEMALE (STAINLESS)
MS-8x8-SS	1/2" x 1/2" FEMALE (STAINLESS)

Gauge Snubbers

LGS

- 1/4" NPT male x female connections
- Brass or Stainless Steel materials
- Brass 5,000 P.S.I. maximum, 10 Micron
- Stainless Steel 15,000 P.S.I. maximum, 5 Micron
- Maximum temperature 14F to 248F (-10C to 120C)

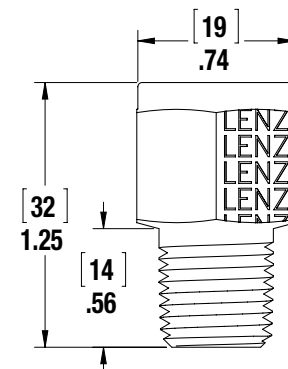
Lenz gauge snubbers protect pressure gauges against pressure surges and shocks.

See Technical Bulletin: TB.PG17.811, for further information at (Technical Data – www.lenzinc.com).

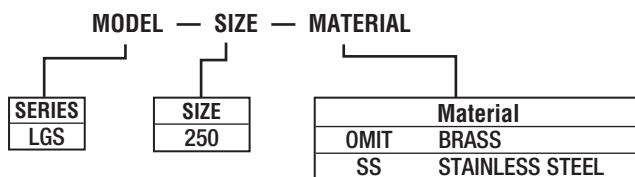


LGS

LGS-SS



ORDERING CODE





*“Custom Gauges and faces available.
Ask your salesperson for details.”*

visit us on line @lenzinc.com



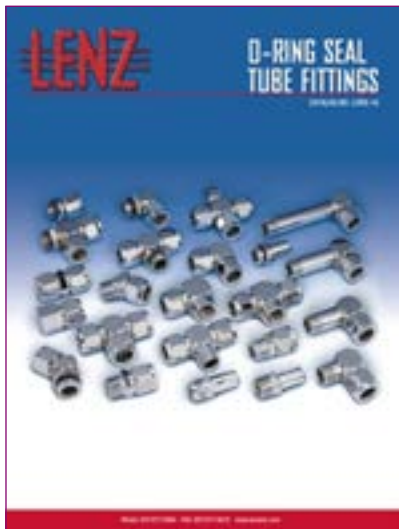
*“Visit our newly designed website where
you will find Color Cutaway Product Sheets,
Searchable Database & Technical Bulletins.”*

www.lenzinc.com

TECHNICAL BULLETINS ON THE WEBSITE

TB.PG01.708	Advantages of Liquid Filled Gauges	TB.PG12.811	MID Diagnostics Gauges
TB.PG02.708	Chemical Compatibility Table	TB.PG13.811	Installation Operating Instructions for Pressure Gauges
TB.PG03.708	Selecting a Pressure Gauge	TB.PG14.811	MS Mini Seals
TB.PG04.708	Available Dial Artwork	TB.PG15.811	HDS Heavy Duty Seals
TB.PG05.708	Standard Dial Layouts	TB.PG16.811	BMT Installation Instructions
TB.PG06.708	Pressure Gauges	TB.PG17.811	LGS Gauges Snubber Specifications
TB.PG07.708	Gauge Isolators	TB.PG18.811	SIP Siphon Specifications
TB.PG08.708	Glycerin MSD Sheet	TB.PG19.811	DI 15 Operating Instructions
TB.PG09.1010	Diaphragm, Chemical Seals Principles	TB.PG20.312	Operating Instructions for Diaphragm Seal
TB.PG10.811	LDPG-30 Operating Manual	TB.PG21.812	Gauge Scales Per EN837
TB.PG11.811	LZAT Transducer Operating Manual		

Request or download these other **LENZ** Catalogs



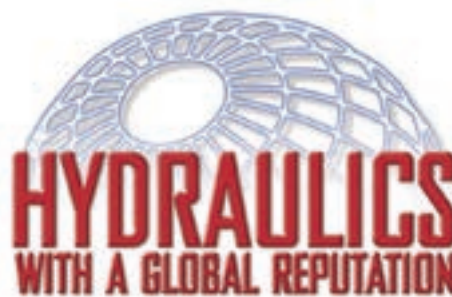
CATALOG LORS-16
40 Pgs. "O"-Ring Seal Tube
Fittings, Accessories.



CATALOG HP-413
24 Pgs. High & Medium
Pressure Hose Fittings



CATALOG AD-90
48 Pgs. Adapters, Pipe Fittings,
Adapter Unions, J.I.C.-S.A.E. Tube
Fittings, offered in Steel &
Stainless Steel.



Distributed By: